

# BÖHLER FOX OHV

## Unalloyed, rutile cellulose coated stick electrode

**Key feature**

Stick electrode for general purpose suited for steels up to 420 MPa yield strength.



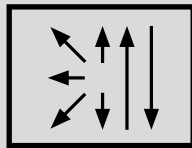

Product features	Product benefits	User benefits
» <b>Rutile cellulose coated</b>	» General purpose, for welding in all welding positions	» Easy to handle
» <b>Designed for easy welding</b>	» Tack welding also in difficult positions » Good gab-bridging	» Easy welding of complex welding parts » Wider tolerance for preparation
» <b>Well balanced arc</b>	» Suitable also for rusty or primer coated plates	» No or less pre-weld cleaning necessary » Saves time and money



### Typical applications

- » Steel constructions
- » Fitter's shops
- » Ship building

# BÖHLER FOX OHV


Classifications		Operating data	
EN ISO 2560-A	AWS A5.1 / SFA-5.1	Welding positions	Polarity
E 38 0 RC 1 1	E6013		

Typical analysis of all weld metal, wt. %			
	C	Si	Mn
	0.06	0.4	0.45

Mechanical properties, all weld metal (single values typical)							
	Condition	Yield strength $R_{p0.2\%}$ MPa	Tensile strength $R_m$ MPa	Elongation A ( $L_0 = 5d_0$ ) %	CVN Impact toughness ISO-V KV J		
					20 °C	0 °C	-10 °C
	As welded	460 ( $\geq 380$ )	540 ( $\geq 470 - 600$ )	25 ( $\geq 20$ )	75	60 ( $\geq 47$ )	47

Steels to be welded	
EN	ASTM
S235JRG2 - S355J2; GS-38; GS-45; St35; St45; St35.8; boiler steels P235GH, P265GH, P295GH; shipbuilding steels corresp. to app.-grade 2; fine grained structural steels up to P355N; weldable ribbed reinforcing steel bars.	ASTM A36 and A53 Gr. all; A106 Gr. A, B, C; A135 Gr. A, B; A283 Gr. A, B, C, D; A366; A285 Gr. A, B, C; A500 Gr. A, B, C; A570 Gr. 30, 33, 36, 40, 45; A607 Gr. 45; A668 Gr. A, B; A907 Gr. 30, 33, 36, 40; A935 Gr. 45; A936 Gr. 50; API 5 L Gr. B, X42 - X52

Approvals
TÜV (05687), DB (10.014.12), ABS, DNV GL, LR, CE

Carton Packaging	
	Weight: ~ 4.1 kg  Diameter 2.0 x 250 mm 2.5 x 250 mm 2.5 x 350 mm 3.2 x 350 mm 3.2 x 450 mm 4.0 x 350 mm 4.0 x 450 mm 5.0 x 450 mm