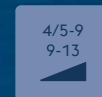


Lasting Connections

# BÖHLER GUARDIAN<sup>62</sup> CAMOUFLAGE special edition

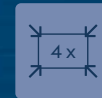
The Expert's Choice  
weldCare – all-round protection



Variable  
Shade



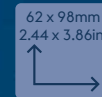
Grind  
Mode



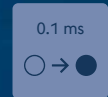
Four  
Sensors



Comfort  
Headgear



Large  
Viewing  
Area



Switching  
Speed at  
23C / 73.4F



True  
Colour



CE -  
classification

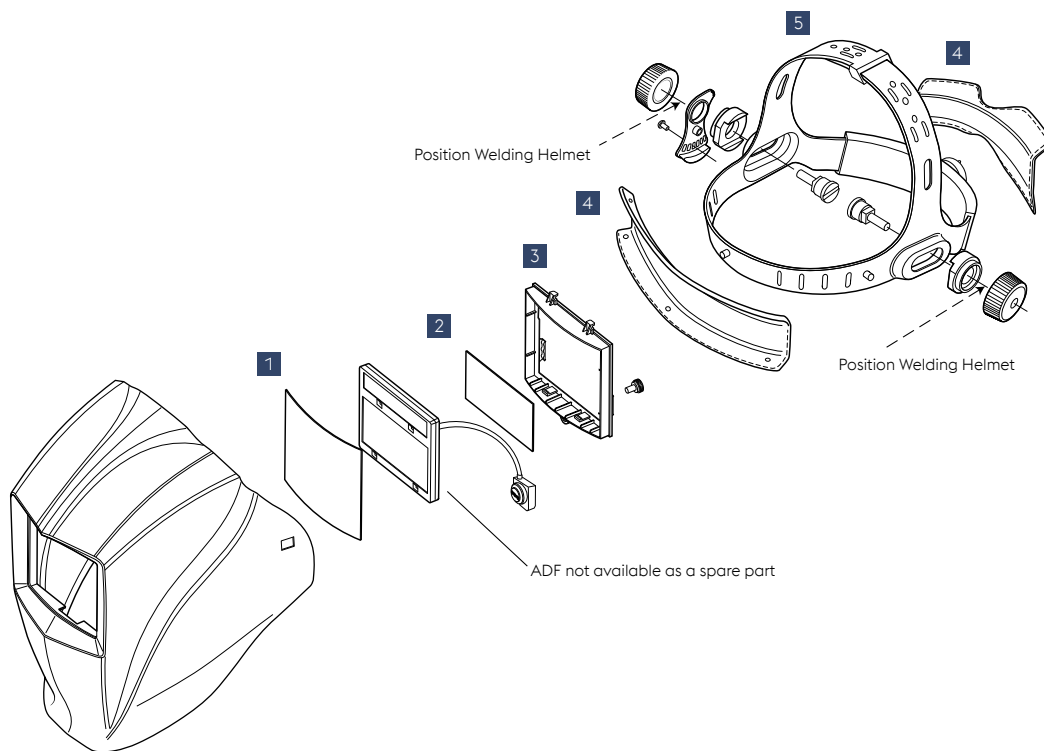


Quick  
release  
ADF  
Cartridge



Light  
Weight

# PART LIST AND ASSEMBLY BÖHLER WELDING HELMET



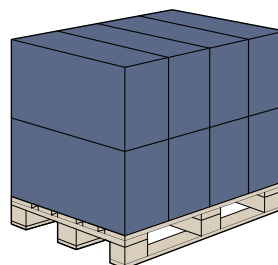
## Part list

Item	Description	Part No.
1	front cover lens	32423
2	inner lens Guardian <sup>62</sup>	32433
3	ADF retainer and screw Guardian <sup>62</sup>	32442
4	sweatband (2pcs. front and rear)	32416
5	headgear Böhler Guardian <sup>62</sup>	32406
*	dioptr 1.0	32444
*	dioptr 1.5	32445
*	dioptr 2.0	32452
*	dioptr 2.5	32456

\* not in illustration

## Packaging & Shipment

Packaging units	Description	Part No.
6 helmets in 1 carton unmixed	Böhler Guardian <sup>62</sup> Camouflage Special Edition	52620



Minimum order quantity: 8 cartons on 1 EURO-Pallet (48 helmets)