



FLEXPARK

THE STANDARDISED CARPORT

voestalpine Sadef nv

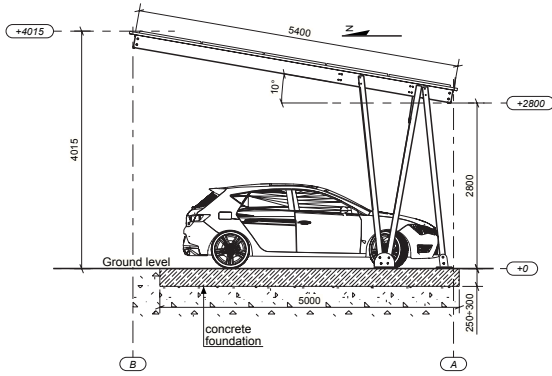
voestalpine

ONE STEP AHEAD.

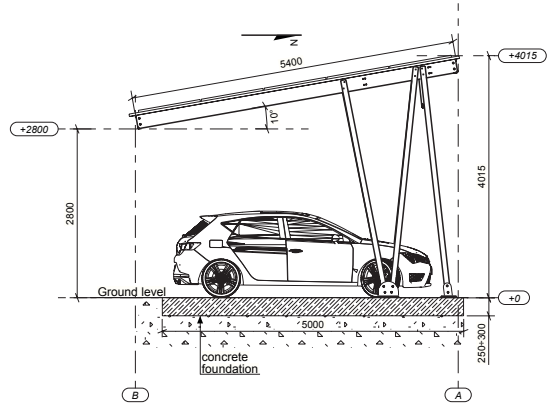
SECTION VIEWS

SINGLE ROW OPTIONS

MONOPITCH SOUTH

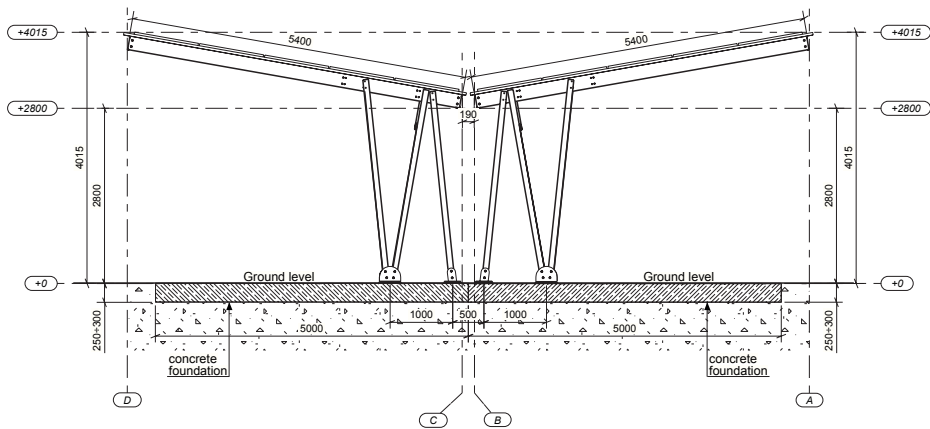


MONOPITCH NORTH

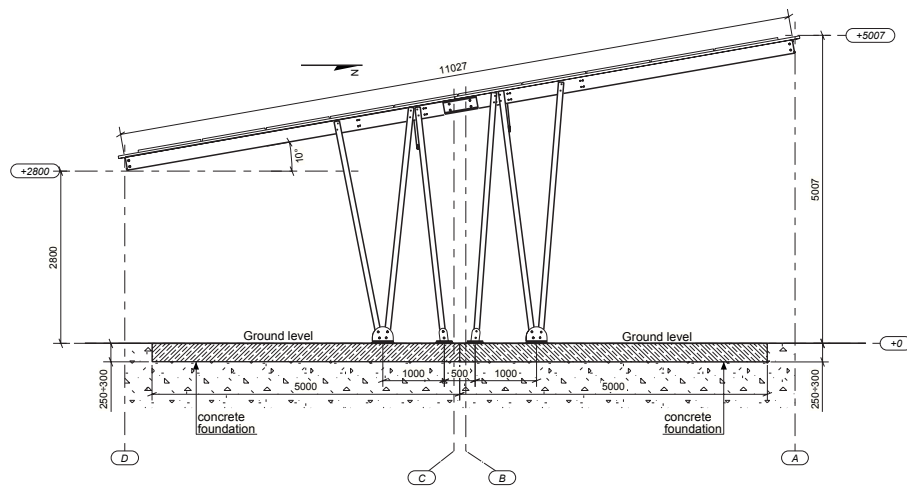


DOUBLE ROW OPTIONS

DUOPITCH EAST-WEST



MONOPITCH DOUBLE



All dimensions are in mm

TECHNICAL DETAILS

DESIGN

- » For 2 parking places per UNIT
- » Dimensions Parking place:
 - » **Width:** 2 x 2,5m per unit, columns every 5m
 - » **Depth:** 5m
- » Clearance: 2,8 metres
- » Tilt: 10°

ROOF SYSTEMS

- » Compatible with steel deck and/or current solar rail systems
- » FastSlide or backrail system on request

FEATURES

- » Modular in length (multiple of 5m)
- » Landscape or portrait panel arrangement
 - » **Landscape:** optimal for panel width <1060mm & >1300mm
 - » **Portrait:** optimal for panel length <1780mm

MATERIAL

- » Profiles: Metallic coated high strength steel (ZM)
- » Accessories: hot-dipped galvanized
- » Bolts: hot-dipped galvanized

OPTIONAL

- » Powder coating

SCOPE OF DELIVERY BY VOESTALPINE SADEF

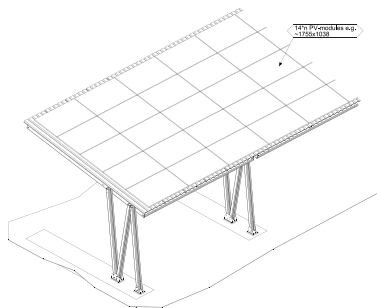
- » Frame components and bolts
- » Forces on foundations
- » Assembly instruction

TO BE CARRIED OUT/PROVIDED BY CUSTOMER

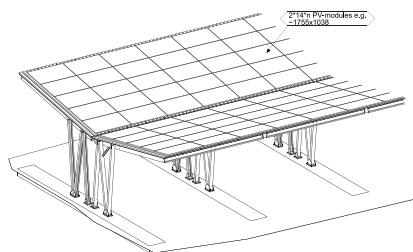
- » Design and supply of foundations and anchors
- » Steel deck or rail system + Module fixing
- » Gutter / down comer
- » Installation

BENEFITS

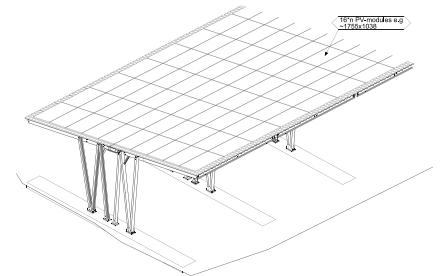
- » Modular
 - No hindering columns for opening doors
- » Easily accessible
- » Quick and easy mounting
- » Structural design according to Eurocode and its corresponding national application document



MONOPITCH SOUTH



DUOPITCH EAST-WEST



MONOPITCH DOUBLE

All dimensions are in mm



APPLICABILITY BY COUNTRY

TO BE USED IN FOLLOWING REGIONS (terrain cat. II, snow load up to $S_k = 1.1$, except for France $S_k = 0.95$)

- » Belgium, Netherlands, UK: entire country
- » France: for wind zones 1, 2 and 3 (for terrain category II) and snow zones up to C2 (below 500m)
- » Germany: for wind zones 1 and 2 and snow zone 1,2 and 3 (≤ 200 m AMSL)

OTHER REGIONS OR LOADS

- » **Contact voestalpine SadeF**

FOUNDATION CONCEPT

Below information is intended to provide an estimation for preliminary design purposes. Project specific foundation design to be done by SadeF customer.

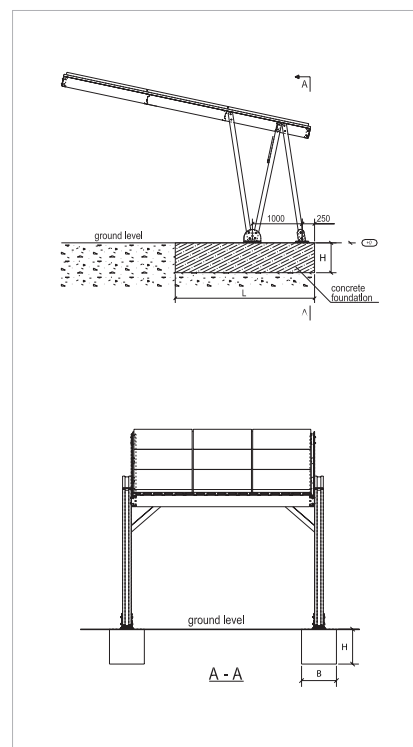
Possible foundation predesign (BxHxL, dimensions for information only):

- » Precast concrete foundation: 800x300x5000 mm
- » Site-poured concrete foundation: 600x600x5000 mm

Based on:

- » Moderately good soil
- » $\varnothing' - 30^\circ$
- » $q = 15 \text{ kN/m}^2$
- » Concrete C25/30

voestalpine SadeF is not taking responsibility on foundation design, forces on foundation can be supplied on request.



Disclaimer: All dimensions are in mm
Design to be approved by voestalpine SadeF

Headquarters

Belgium

Bruggesteenweg 200
8830 Hooglede-Gits, Belgium
T. +32 51/26 12 11
F. +32 51/26 13 01
sadef.solar@voestalpine.com

Representative offices

The netherlands

W. Witsenplein 4
2596 BK Den Haag,
The Netherlands
T. +31 70/324 28 02
F. +32 51/26 16 13
sadef.solar@voestalpine.com

France

2, Bd Albert 1er
94130 Nogent-s-Marne, France
T. +33 1/43 24 60 11
F. +33 1/43 24 60 01
sadef.solar@voestalpine.com

Germany

Frans-Tilgner-Strasse 10
50354 Hürth, Germany
T. +49 22/33 20 11 48
F. +49 22/33 20 28 85
sadef.solar@voestalpine.com

www.voestalpine.com/sadef