

Flexbuild®



# FLEXBUILD

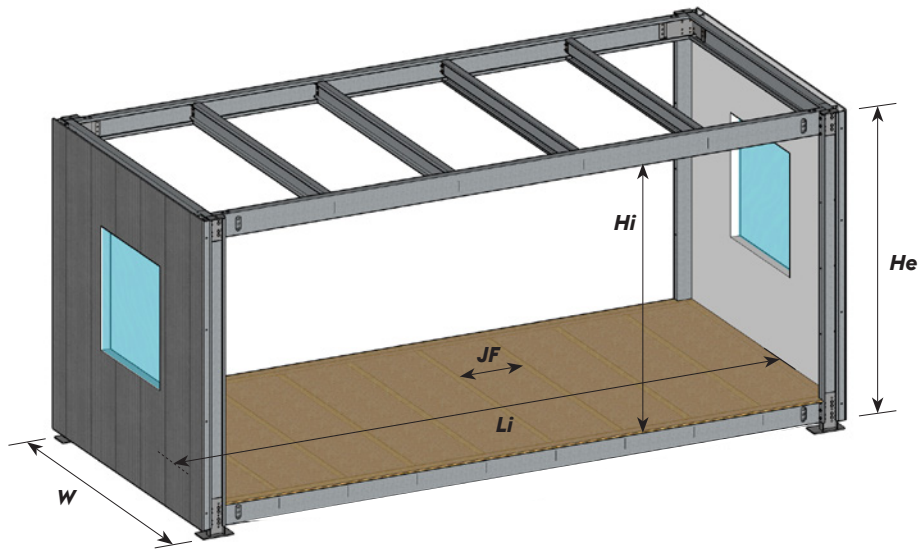
voestalpine Sadef nv

voestalpine  
ONE STEP AHEAD.



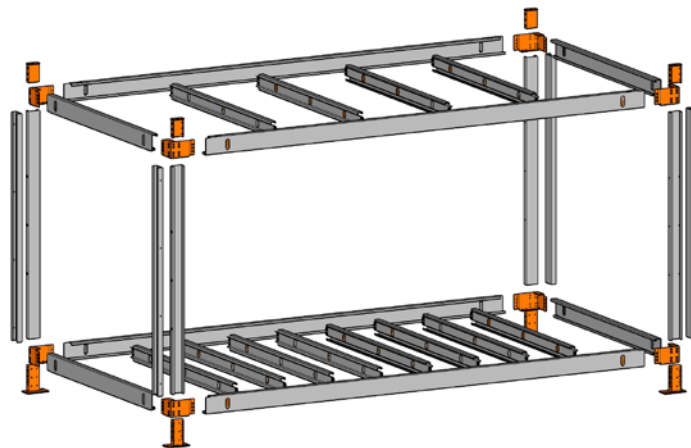


# BUILDING CONCEPT



	Standard	Custom	Custom+
<b>Length <math>Li</math></b>	6380 mm	< 6380 mm	On request
<b>Width <math>W</math></b>	3000 mm	2100 - 3500 mm	
<b>Height <math>He</math></b>	3000 mm	2600 - 3300 mm	
<b>Height <math>Hi</math></b>	2560 mm	$He - 440$ mm	
<b>Joist distance <math>JF</math></b>	700 mm	400 - 1200 mm	

## ONLY 7 DIFFERENT PARTS





# ADVANTAGES AT EACH STAGE

---

## DESIGN

- » Economic concept, even for smaller series
- » Wide spectrum of building applications
- » Large freedom in layout of spaces
- » Rigid construction, no bracings necessary
- » Compatible with different types of finishing
- » Static calculation according to the Eurocode

## PRODUCTION & DELIVERY

- » Integrated connections and holes for techniques
- » Short delivery time, just in time
- » All components are galvanized
- » Export friendly

## CONSTRUCTION

- » Easy assembly
- » Light weight components for high strength
- » Prefabrication in workshop or on site
- » Standard components and accessories
- » Bolted connections, no welding
- » Dry / clean building method
- » Circular building system
- » Easy to disassemble and movable







## Headquarters

### BeNeLux

Bruggesteenweg 200  
8830 Hooglede-Gits, Belgium  
T. +32 51/26 12 11  
sadeb.bouw@voestalpine.com

## Representative offices

### France

188 Grande rue Charles de Gaulle - CS 30001  
94736 Nogent sur Marne Cedex  
T. +33 1/43 24 60 11  
batiment.sadeffrance@voestalpine.com

### Germany

Frans-Tilgner-Strasse 10  
50354 Hürth, Germany  
T. +49 22/33 20 11 48  
sadeb.bauprofile@voestalpine.com