

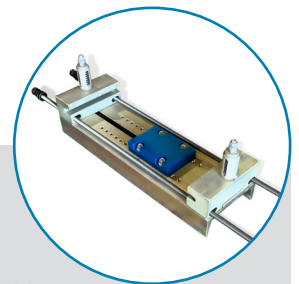
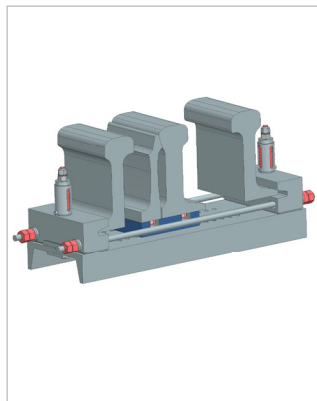


BLUEROLL™ MPF SLIDE POINT ROLLER

Description

The BlueRoll™ MPF Slide Point Roller is designed to reduce friction acting on a moveable point frog, thereby minimizing the need for maintenance and lubrication.

It is part of Nortrak's **BlueRoll** family of point rollers.



Features and Benefits

- » Straightforward retrofit to existing moveable point frogs
- » Bottom up roller design clamps to rail base in the tie crib and gently lifts the point as it moves
- » Buy America compliant all parts designed, tested and manufactured in USA
- » Allows for standard vertical point lift of 1/16" and is adjustable in 1/32" increments
- » Can also be easily adjusted laterally to provide the most efficient point lift
- » No custom tie plates required
- » Other models in the BlueRoll™ family are available for switch points This includes the BlueRoll Standard Duty, Heavy Duty and Extreme Duty bottom up switch point rollers, and the HiRoll top down switch point roller