

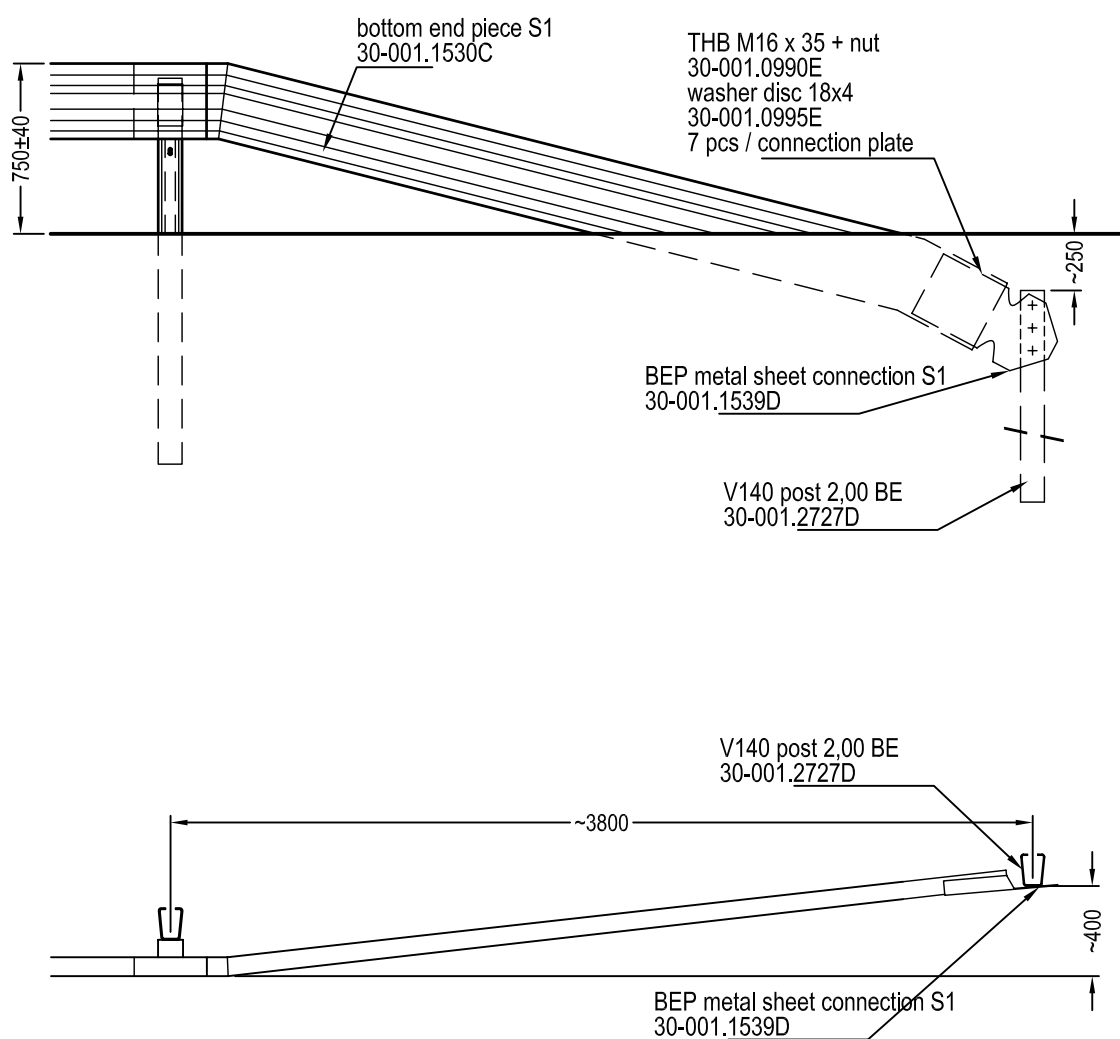
# SAFETY BARRIERS

## GUARDRAIL SYSTEM 1

driven posts 1 sections

product specification sheet E110

to specification sheet E108



09/2011