

SAFETY BARRIERS

KREMSBARRIER 3 RH4

**Road Restraint System suitable
for pile driving ground conditions**

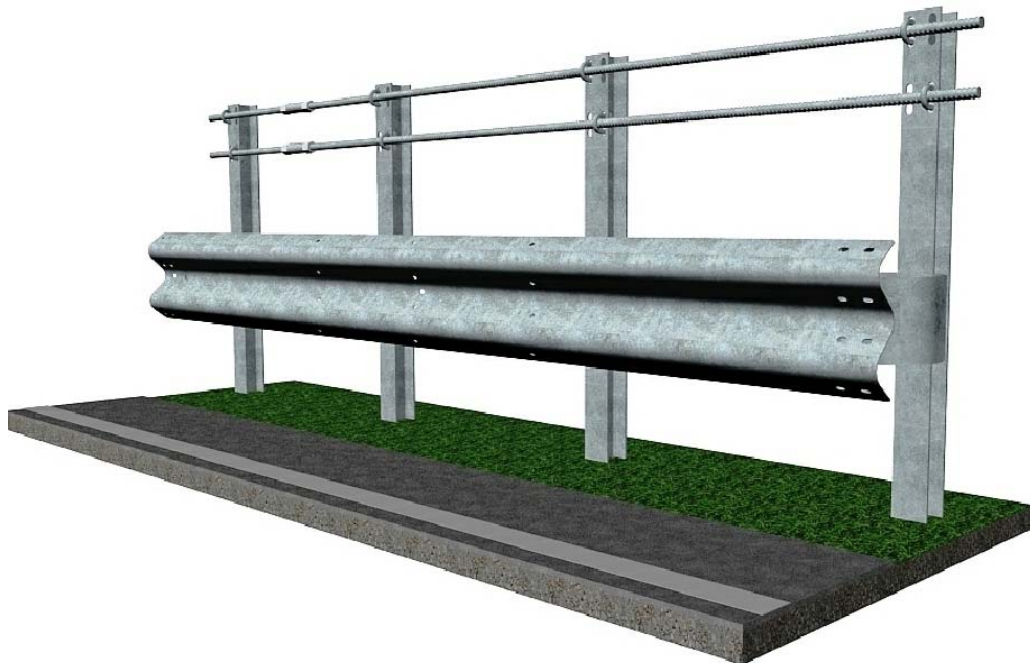
EG certificate of conformity: 0017-CPR-2010

product specifications Sheet A301/1



Tested in accordance with EN 1317-2:

containment level: **H4b**
impact severity level: **A**
working width: **W5**
system test length: **18 cells or 72,00m, without driving**



08/2015

SAFETY BARRIERS

KREMSBARRIER 3 RH4

Road Restraint System suitable for pile driving ground conditions

product specifications Sheet A301/2

terminal as per drawing type A303, A304

tension rod \varnothing 32 - 8,00m
30-101.8000C

THB M16x30-6.8
30-100.0990E
washer disc 18 x 4
30-001.0995E
hex nut M16-6 ISO 4032
4 pcs. / intermediate supporting post

guardrail system 3
30-100.4000C

THB M16x30-6.8
30-100.0990E
washer disc 18 x 4
30-001.0995E
hex nut M16-6 ISO 4032
6 pcs. / joint

THB M16x40-6.8
30-100.0990E
washer disc 18 x 4
30-001.0995E
hex nut M16-6 ISO 4032
2 pcs. / joint

U-bolts M20 - 8.8
30-101.0901E
2 pcs. / post

washer disc 37 x 4
DIN 125
4 pcs. / bolts

damping semi-shells
30-100.1820D
2 pcs. / post

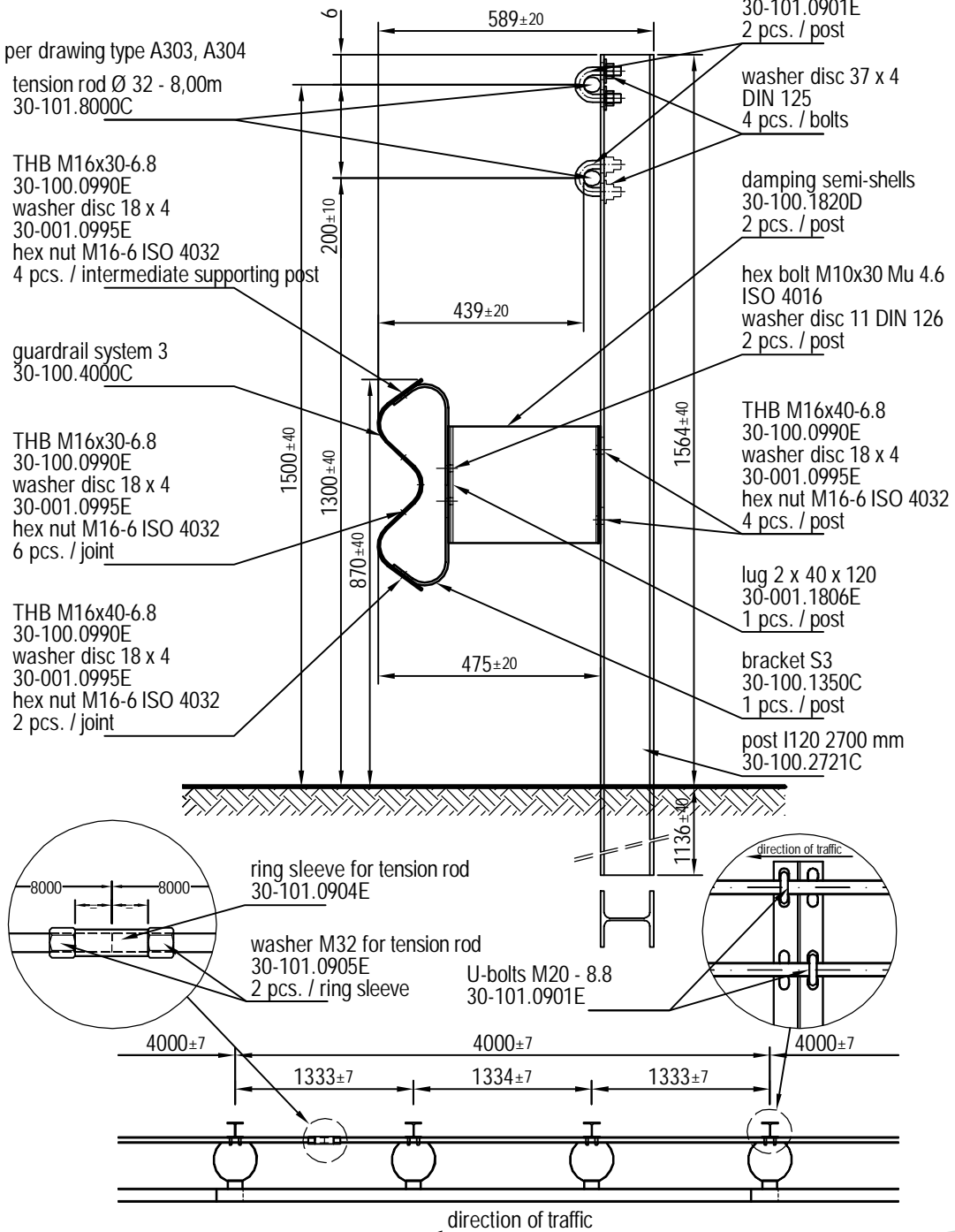
hex bolt M10x30 Mu 4.6
ISO 4016
washer disc 11 DIN 126
2 pcs. / post

THB M16x40-6.8
30-100.0990E
washer disc 18 x 4
30-001.0995E
hex nut M16-6 ISO 4032
4 pcs. / post

lug 2 x 40 x 120
30-001.1806E
1 pcs. / post

bracket S3
30-100.1350C
1 pcs. / post

post I120 2700 mm
30-100.2721C



01/2015

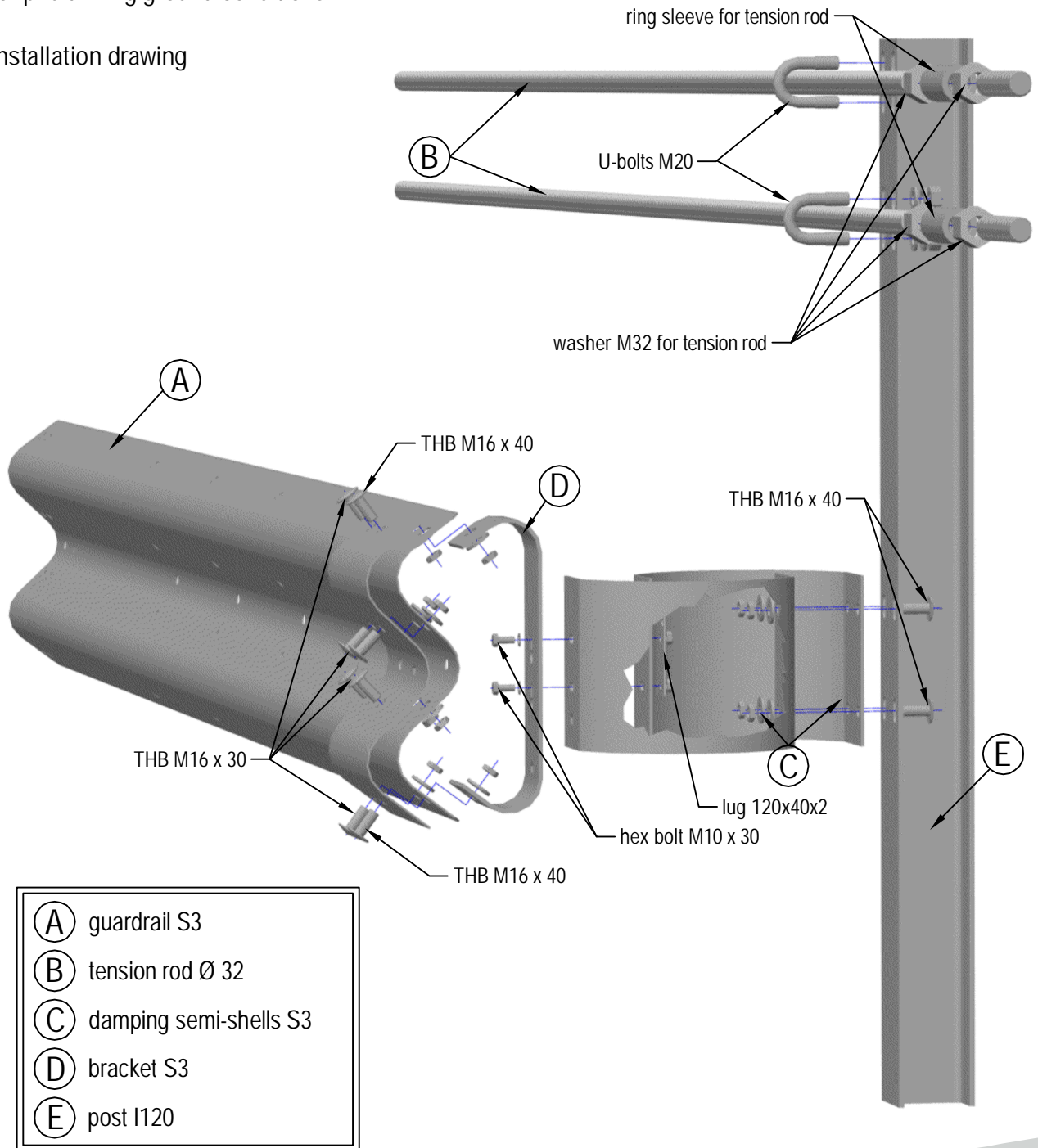
SAFETY BARRIERS

KREMSBARRIER 3 RH4

Road Restraint System suitable
for pile driving ground conditions

installation drawing

product specifications Sheet A301/3



01/2015