

SAFETY BARRIERS

KREMSBARRIER 2 RH2B

**Roadside Restraint System suitable
for pile driving ground conditions**

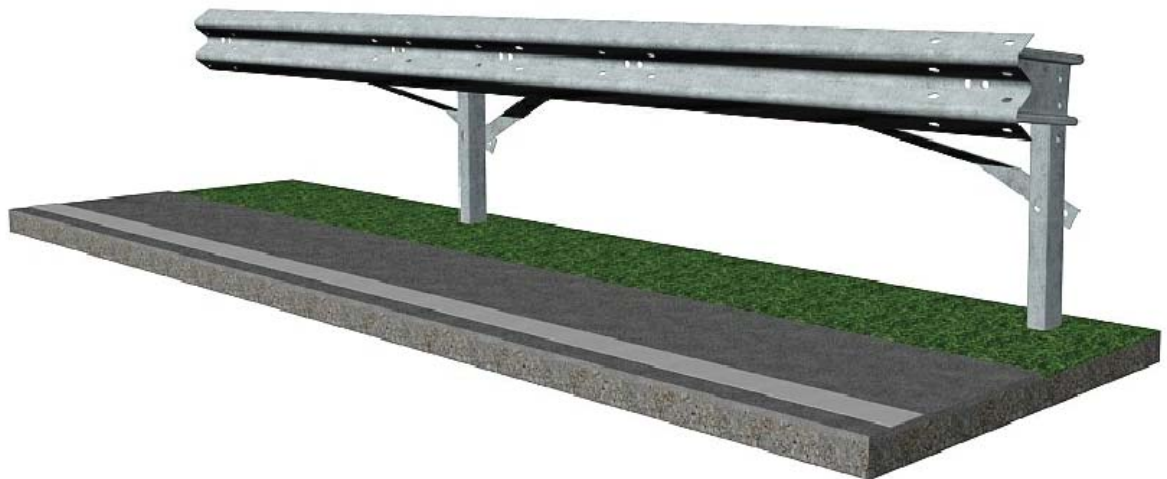
EG certificate of conformity: 0531-CPR-1317-1781

product specification sheet C211/1



tested in accordance with EN 1317-2:

containment level:	H2
impact severity level:	A
working width:	W4
system test length:	12 fields bzw. 45,60m



11/2015

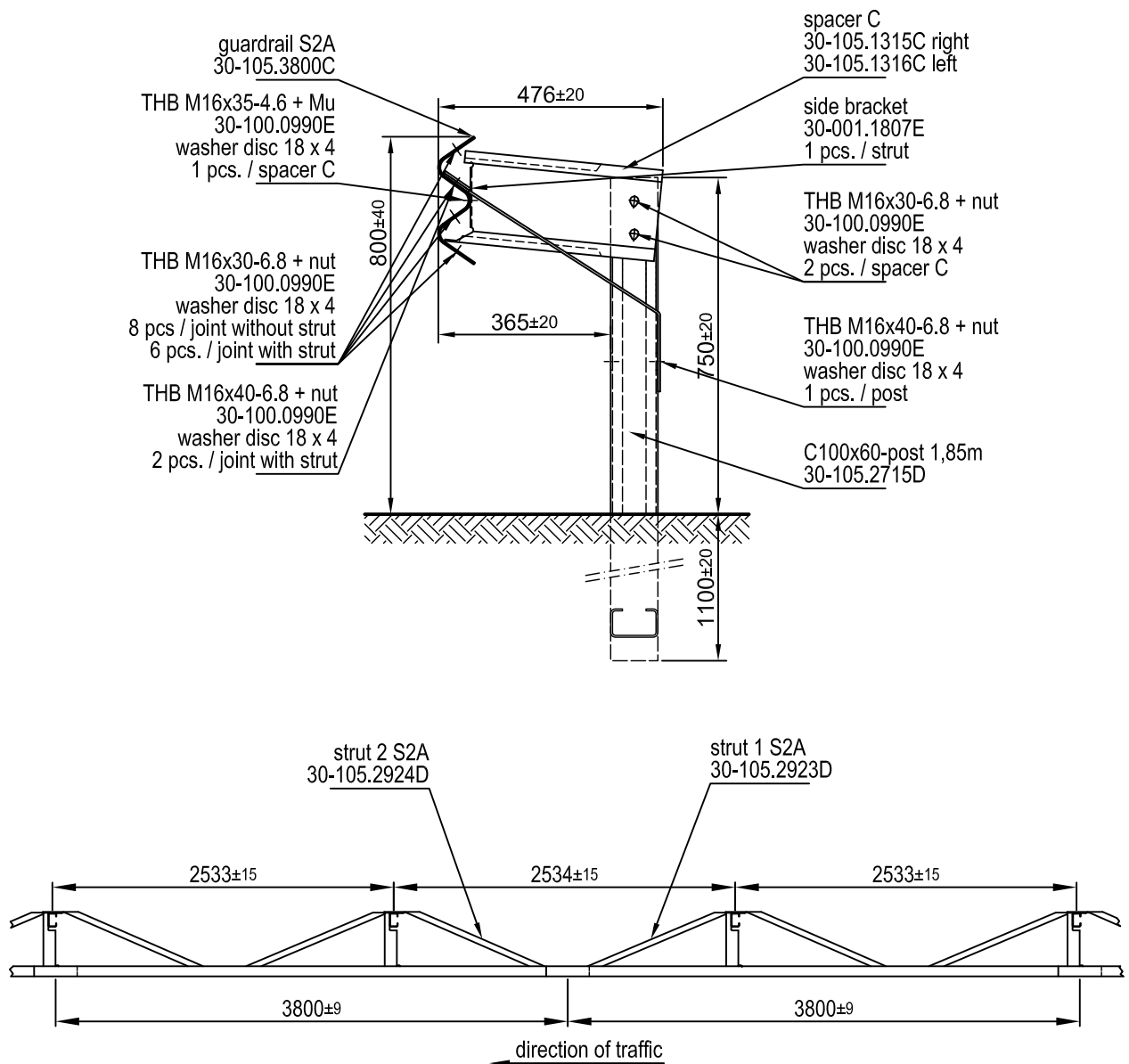
SAFETY BARRIERS

KREMSBARRIER 2 RH2B

Roadside Restraint System suitable for pile driving ground conditions

product specification sheet C211/2

for driving see C207 and C208



11/2015

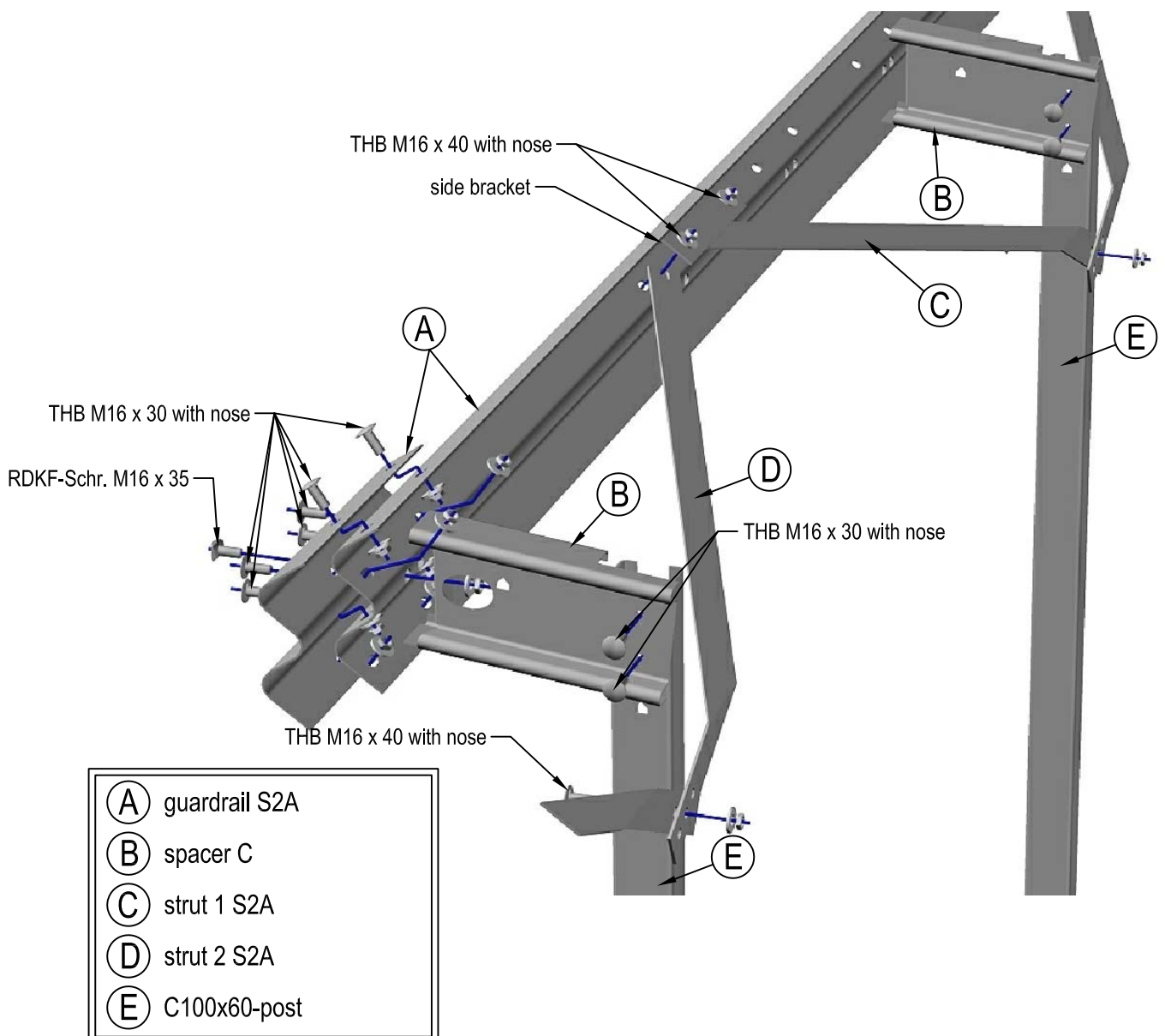
SAFETY BARRIERS

KREMSBARRIER 2 RH2B

Roadside Restraint System suitable
for pile driving ground conditions

product specification sheet C211/3

installation drawing



11/2015