

SAFETY BARRIERS

KREMSBARRIER 2 MH2C

Restraint System for central medians and ground conditions suitable for pile driving

EG certificate of conformity: 0531-CPR-1317-1077

product specification sheet C209/1



tested in accordance with EN 1317-2:

containment level:	H2
impact severity level:	A
working width:	W5
system test length:	13 fields bzw. 49,40m



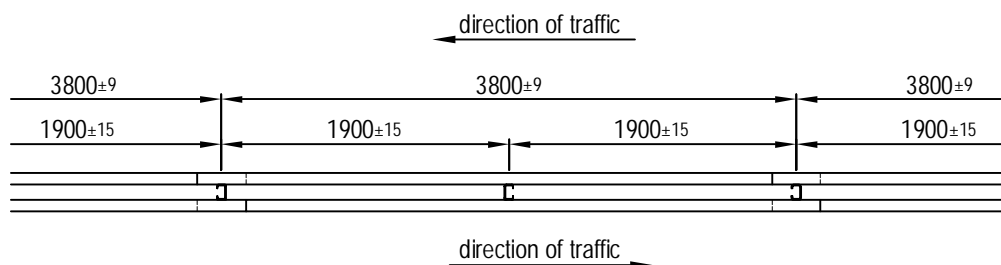
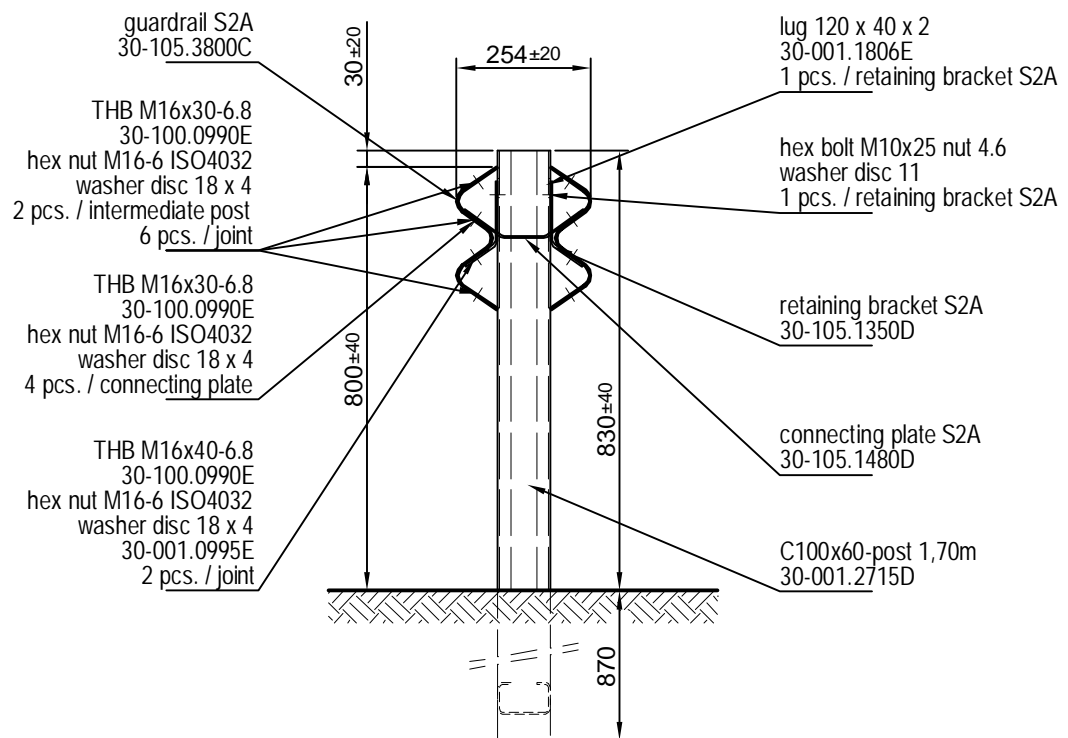
01/2015

SAFETY BARRIERS

KREMSBARRIER 2 MH2C

Restraint System for central medians and ground conditions suitable for pile driving

product specification sheet C209/2



01/2015

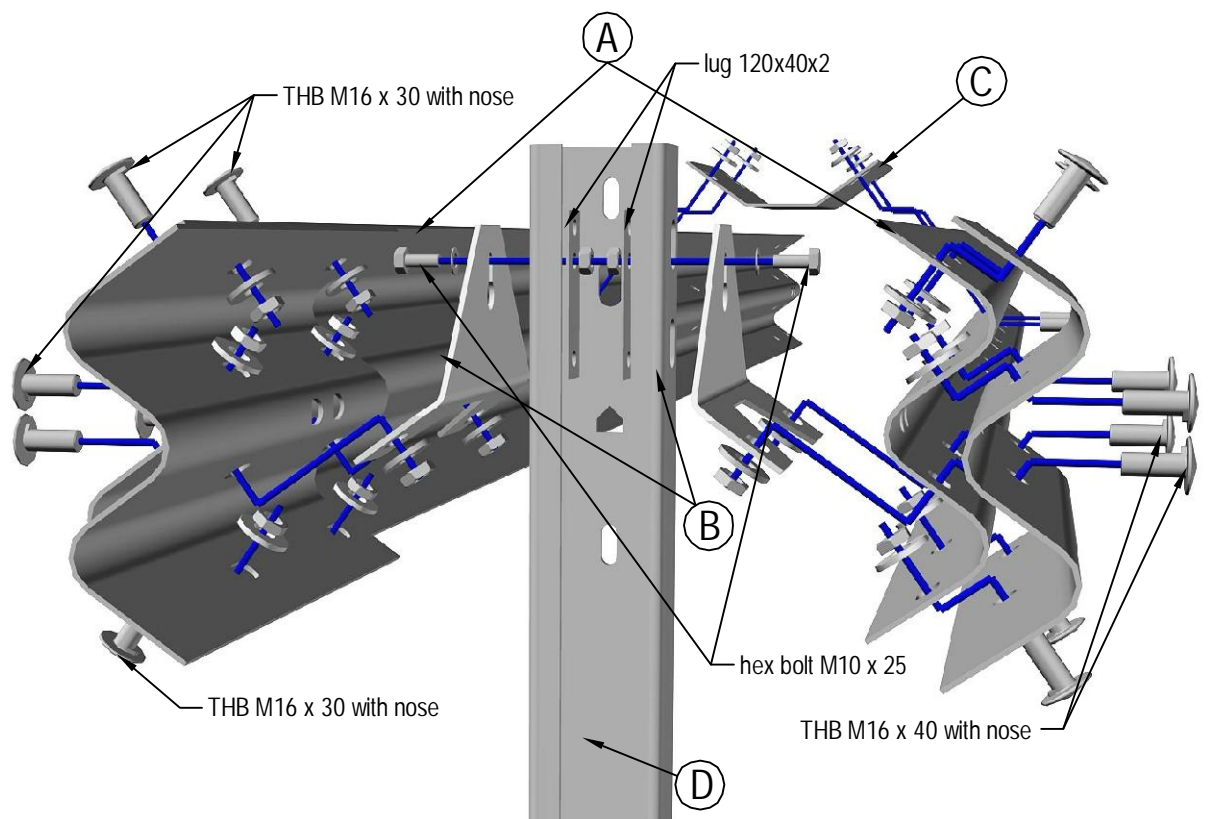
SAFETY BARRIERS

KREMSBARRIER 2 MH2C

Restraint System for central medians and ground conditions suitable for pile driving

product specification sheet C209/3

installation drawing



- | | |
|-----|-----------------------|
| (A) | guardrail S2A |
| (B) | retaining bracket S2A |
| (C) | connecting plate S2A |
| (D) | C100x60-post |

01/2015