

# SAFETY BARRIERS

## KREMSBARRIER 1 RH1V

Roadside Restraint System with lower guardrail  
suitable for pile driving ground conditions

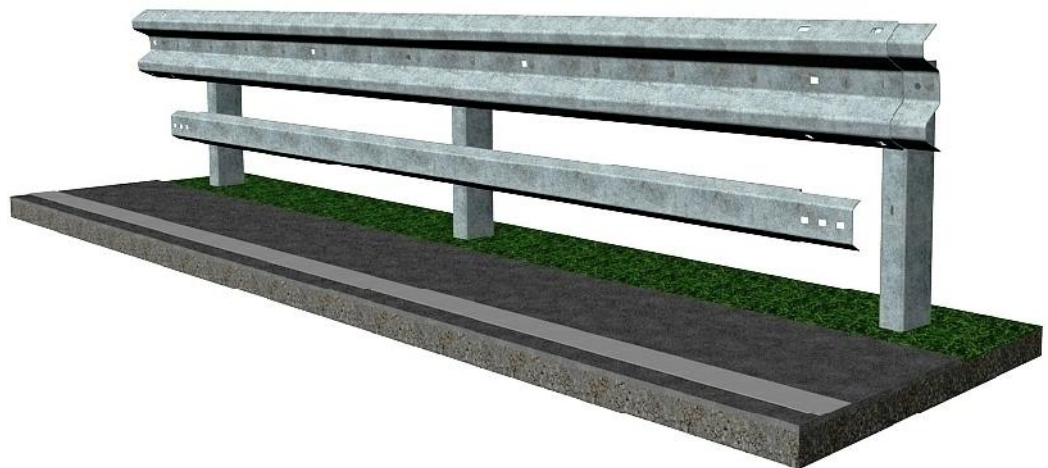
EG certificate of conformity: 0147-CPD-2010

product specification sheet D113/1



tested in accordance with EN 1317-2:

containment level:	H1
impact severity level:	A
working width:	W4
system test length:	15 sections or 57,00m, without driving



01/2015

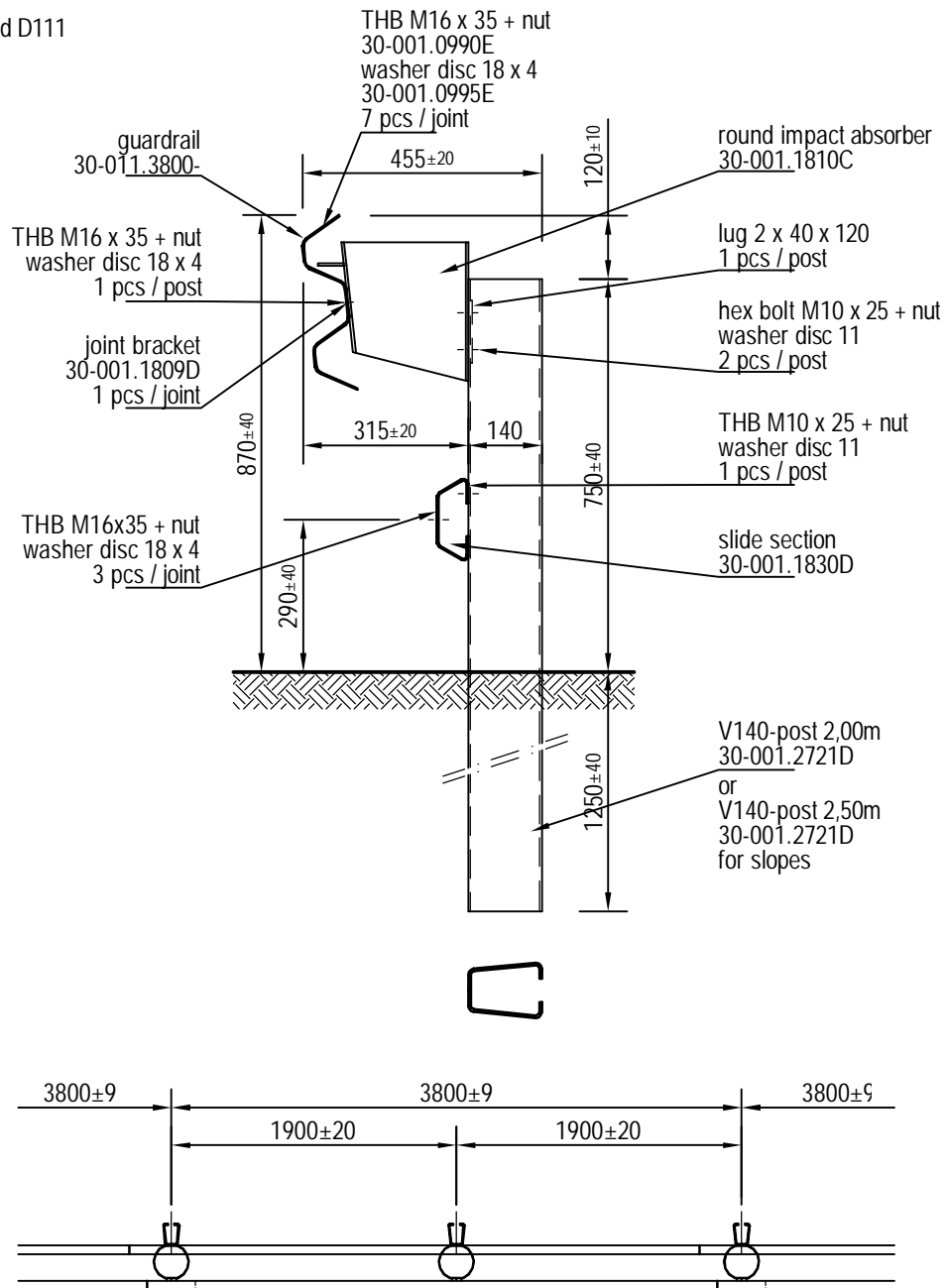
# SAFETY BARRIERS

## KREMSBARRIER 1 RH1V

Roadside Restraint System with lower guardrail  
suitable for pile driving ground conditions

product specification sheet D113/2

for driving see C103 und D111



01/2015

