

SAFETY BARRIERS

KREMSBARRIER 1 RN2

Roadside Restraint System
on civil structures

EG certificate of conformity: 0019-CPD-2011

product specification sheet E111/1



tested in accordance with EN 1317-2:

containment level:	N2
impact severity level:	A
working width:	W5
system test length:	12 sections or 45,60m, without driving



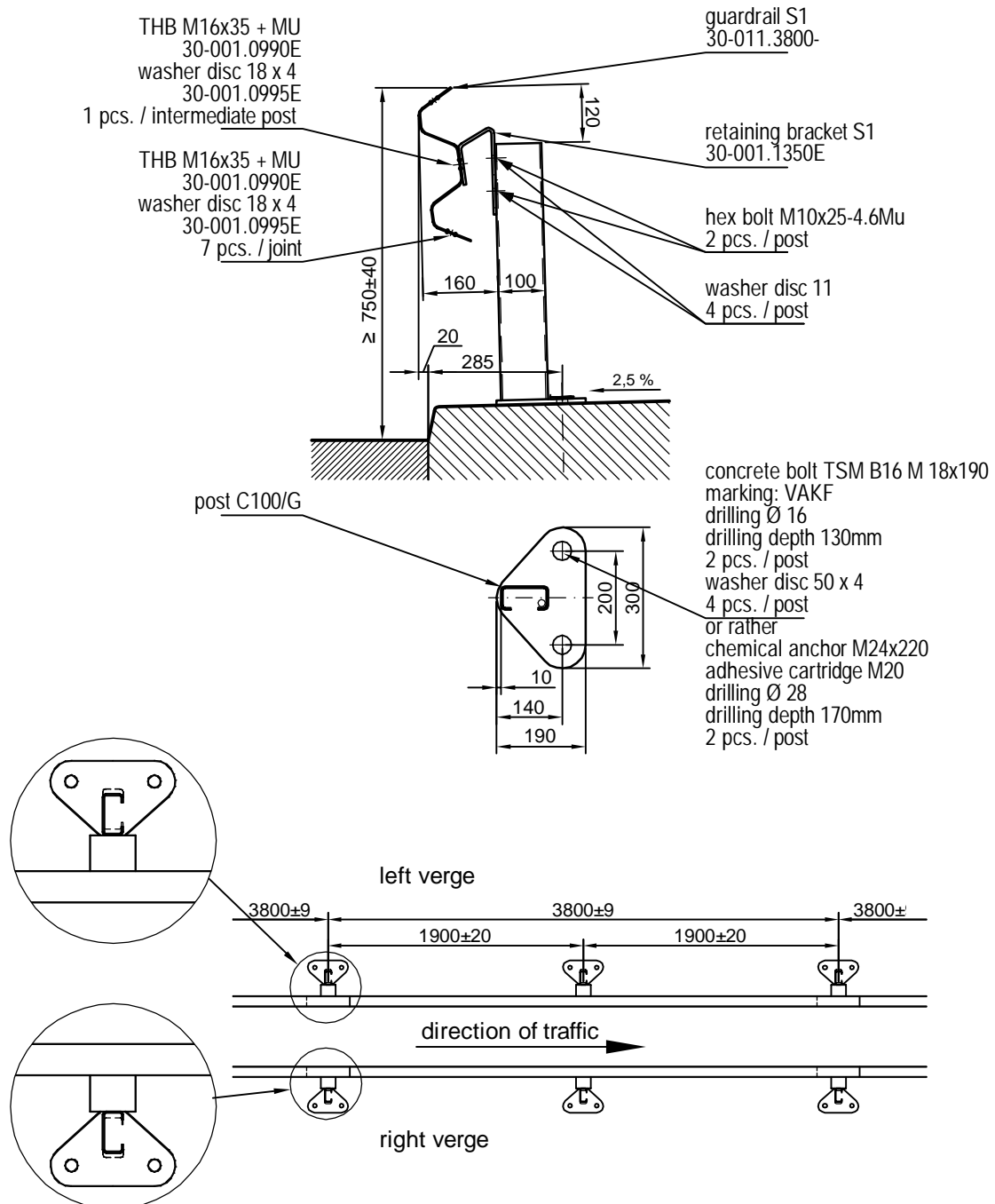
12/2013

SAFETY BARRIERS

KREMSBARRIER 1 RN2

Roadside Restraint System
on civil structures

product specification sheet E111/2



09/2011

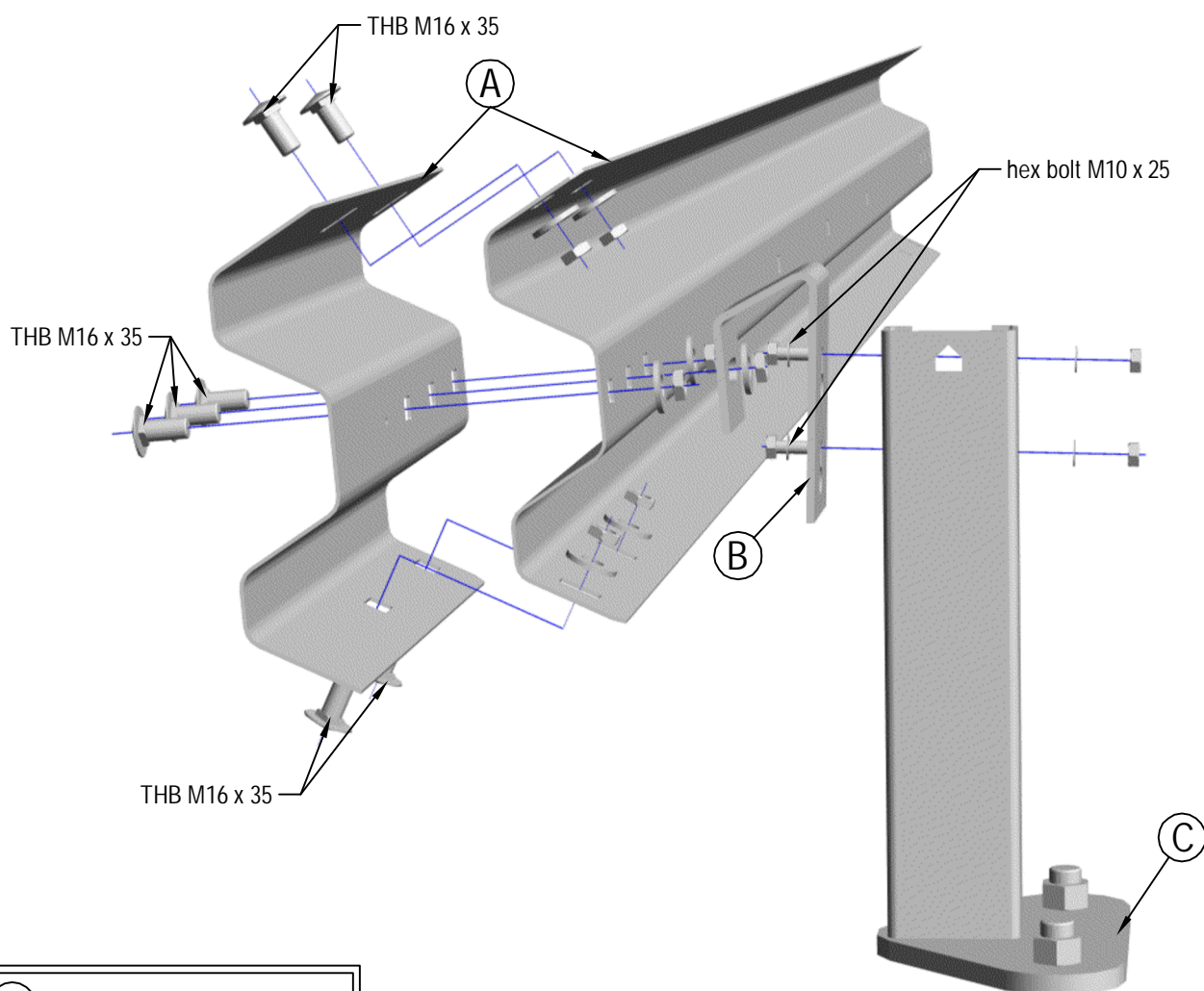
SAFETY BARRIERS

KREMSBARRIER 1 RN2

Roadside Restraint System
on civil structures

product specification sheet E111/3

installation drawing



- | | |
|-----|----------------------|
| (A) | guardrail S1 |
| (B) | retaining bracket S1 |
| (C) | post C100/G |

LS march 2008

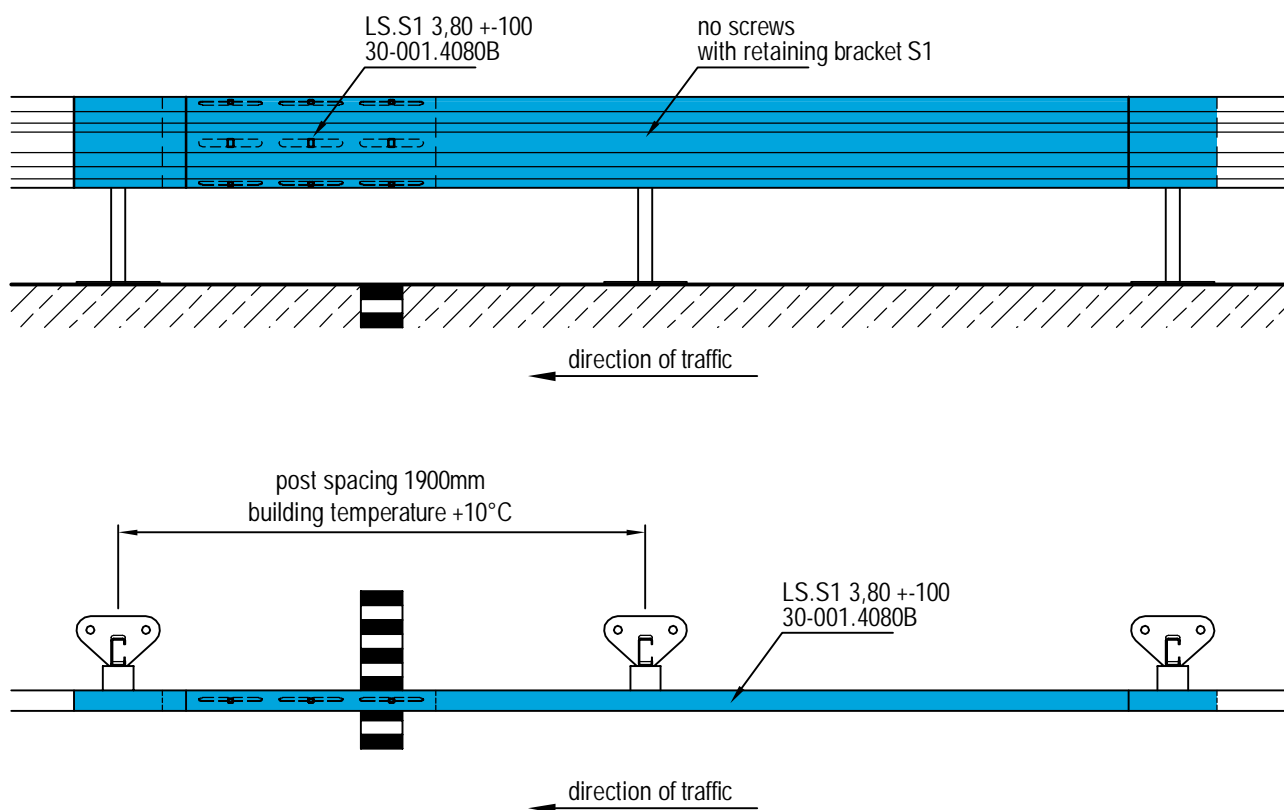
SAFETY BARRIERS

KREMSBARRIER 1 RN2

Roadside Restraint System
on civil structures

product specification sheet E111/4

dilatation ± 100



12/2013