

# SAFETY BARRIERS

## KREMSBARRIER 2 RH2C

roadside restraint system  
on civil structures

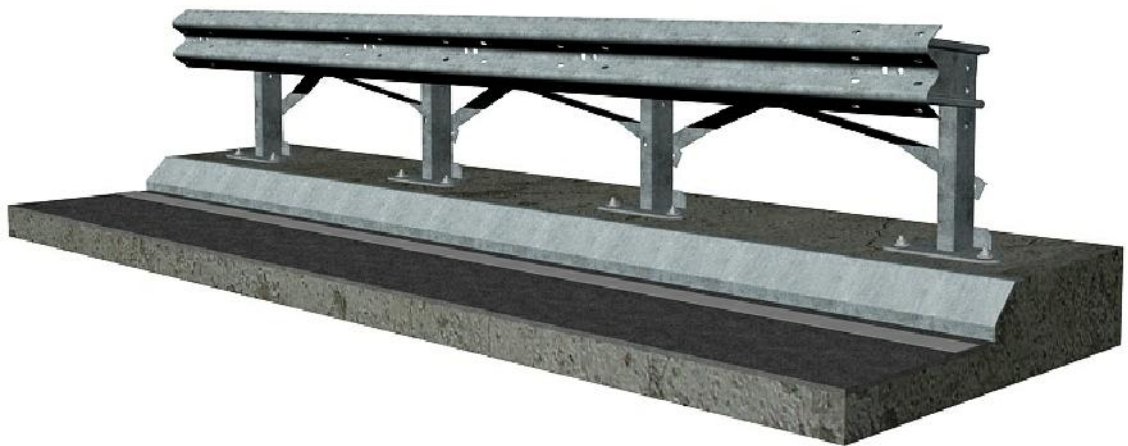
EG certificate of conformity: 0531-CPR-1317-1076

product specifications Sheet C210/1



tested in accordance to EN 1317-2:

containment level:	H2
impact severity level:	B
working width:	W3
system test length:	15 Felder bzw. 57,00m



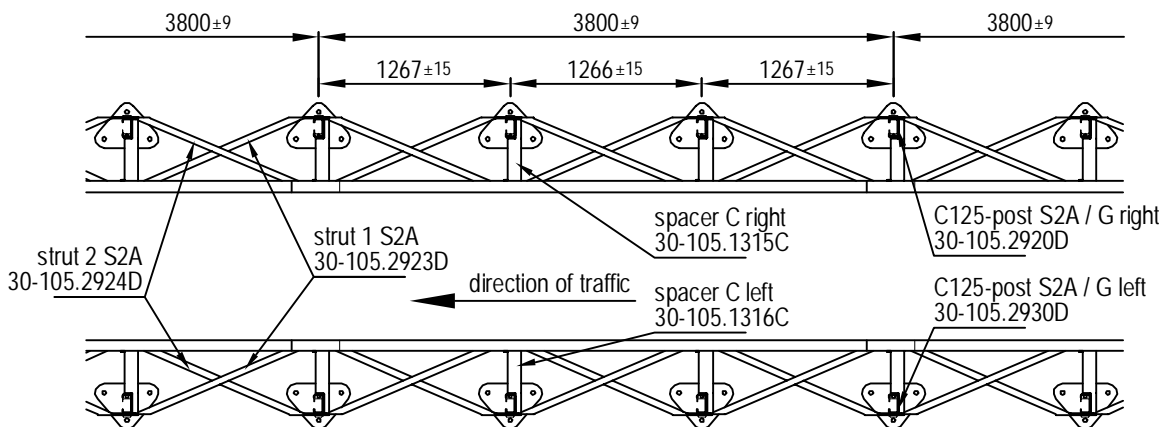
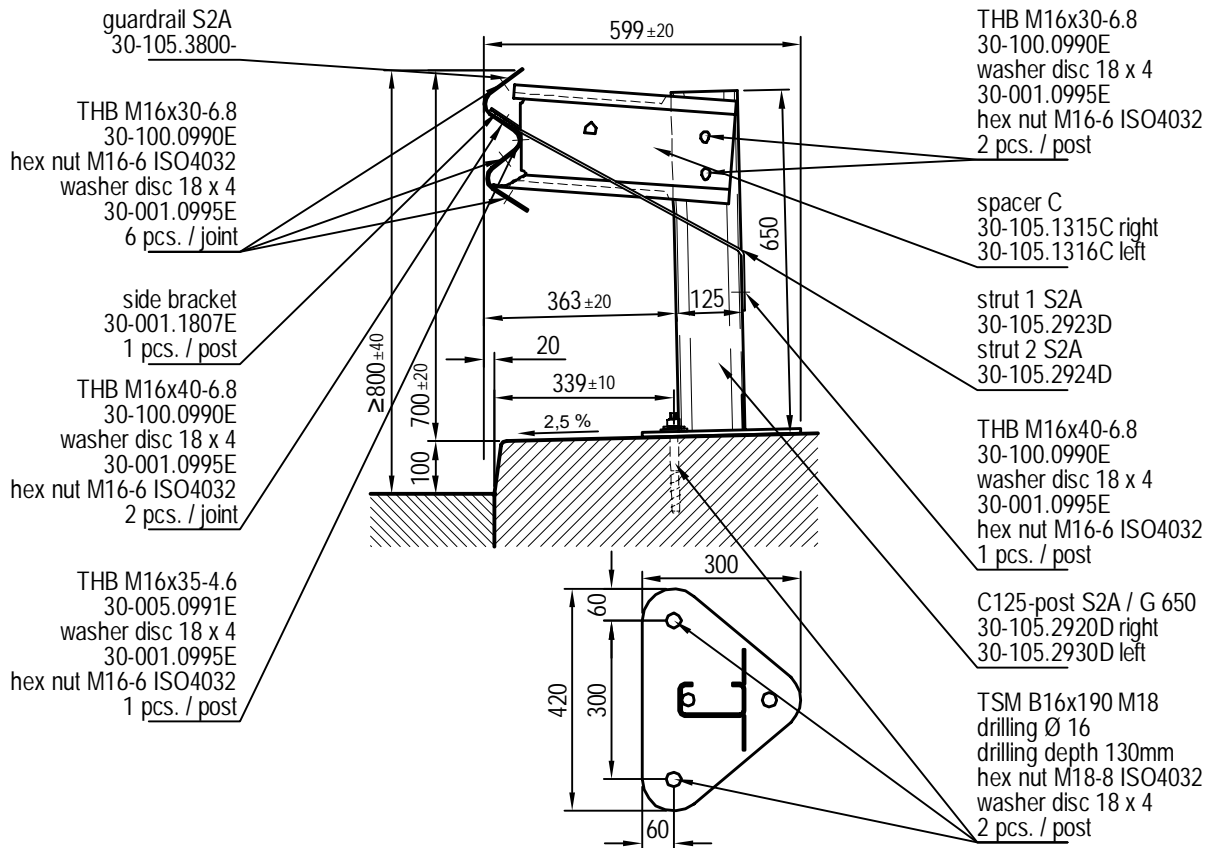
01/2015

# SAFETY BARRIERS

## KREMSBARRIER 2 RH2C

roadside restraint system  
on civil structures

product specifications Sheet C210/2



01/2015

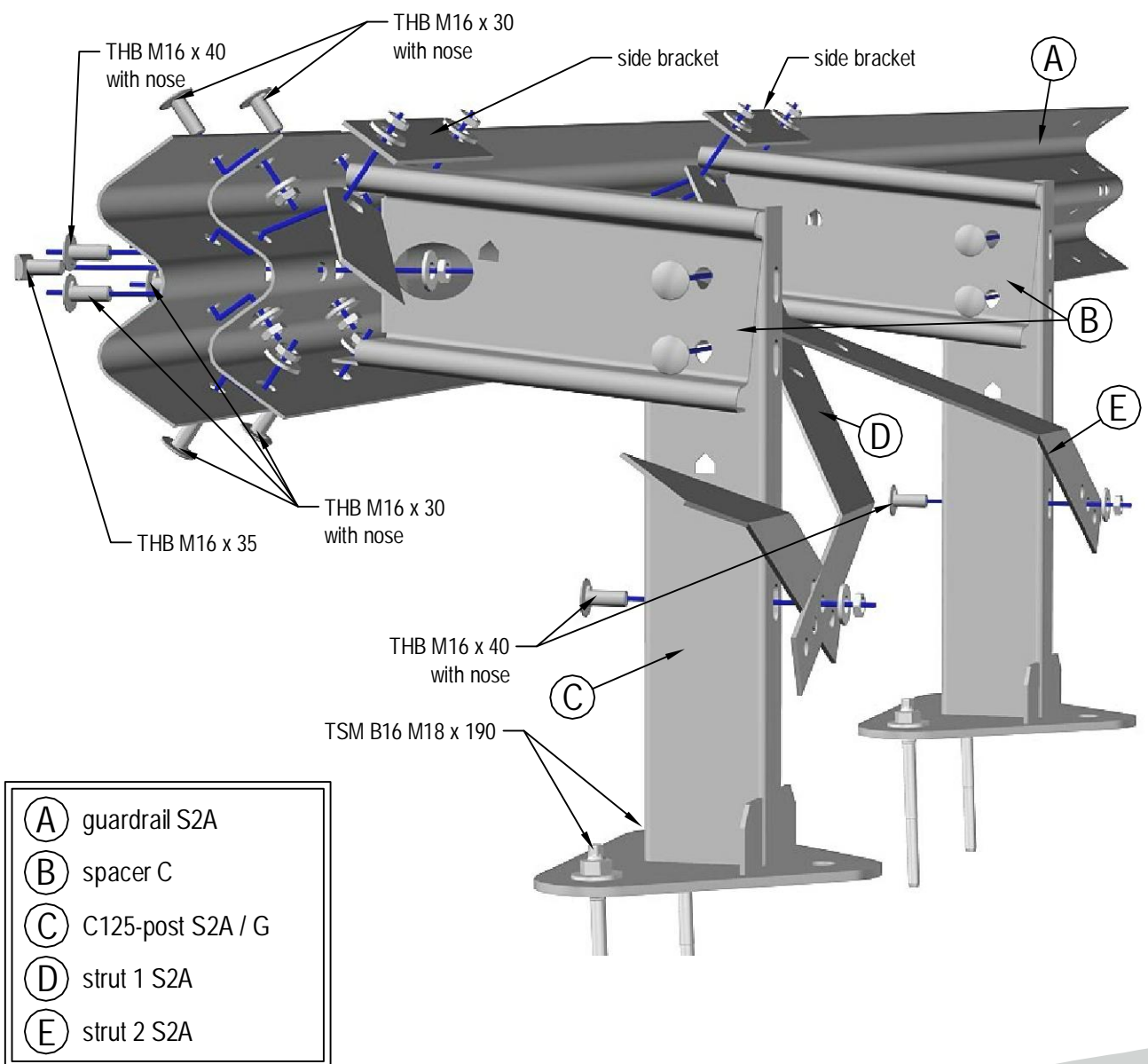
# SAFETY BARRIERS

## KREMSBARRIER 2 RH2C

roadside restraint system  
on civil structures

product specifications Sheet C210/3

installation drawing



01/2015

# SAFETY BARRIERS

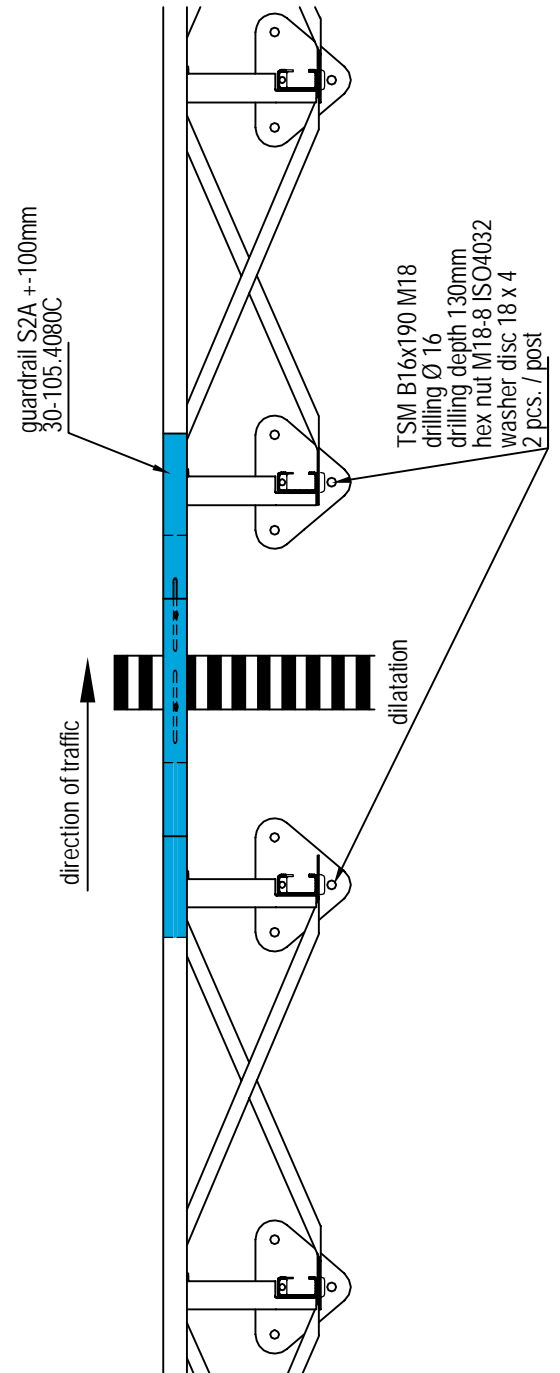
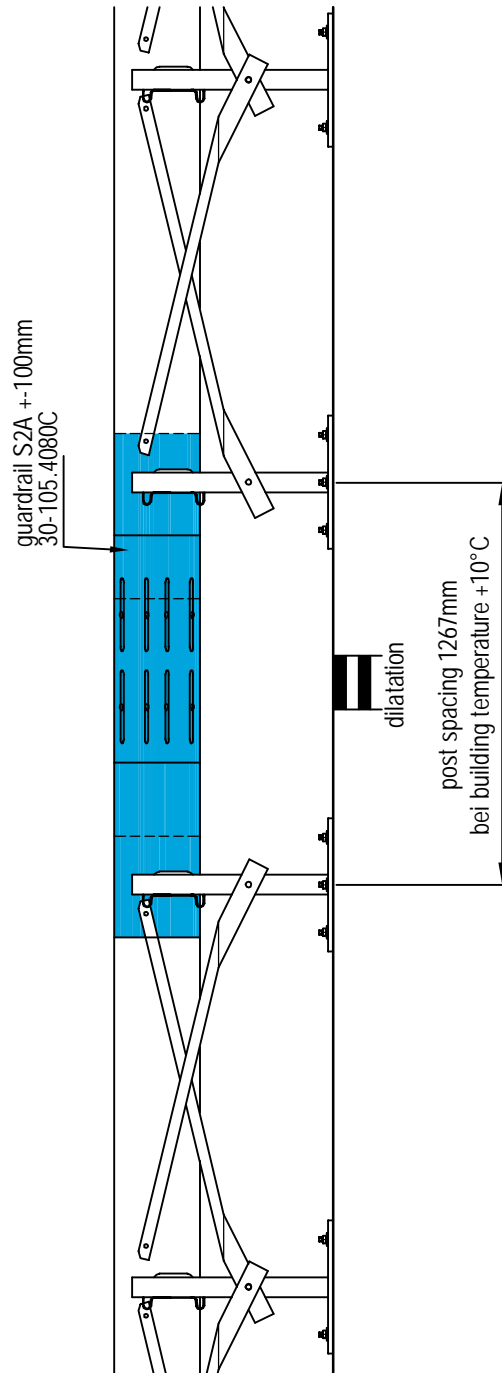
## KREMSBARRIER 2 RH2C

roadside restraint system  
on civil structures

dilatation +-100

product specifications Sheet C210/4

view from behind



01/2015