

iFIX

One Part – One Click

Photovoltaic flat-roof installation system for east-west orientation

Installation instructions for central supports | Status 06/2023

INSTALLATION INSTRUCTIONS iFIX OW CENTRAL SUPPORTS (iFIX Alpin)

INSTALLATION STEPS

Central supports are used in iFIX OW and PV module installations in areas with heavy snowfall. They provide support for all standard PV modules with an inward-facing flange on the contact area, and are held securely in place using clamps.

STEP 1

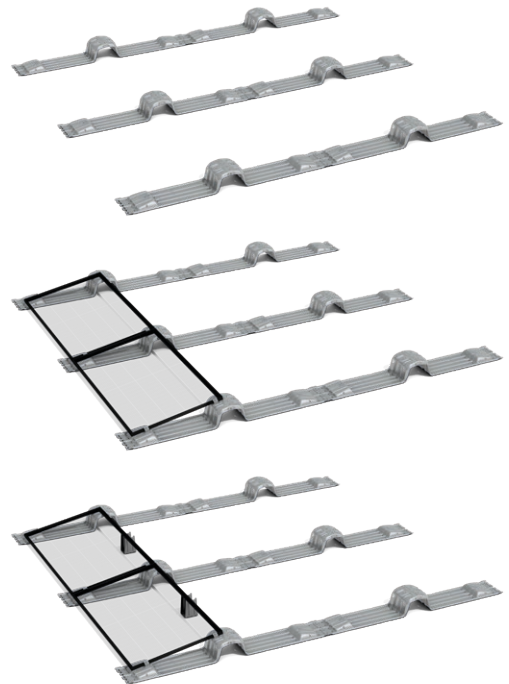
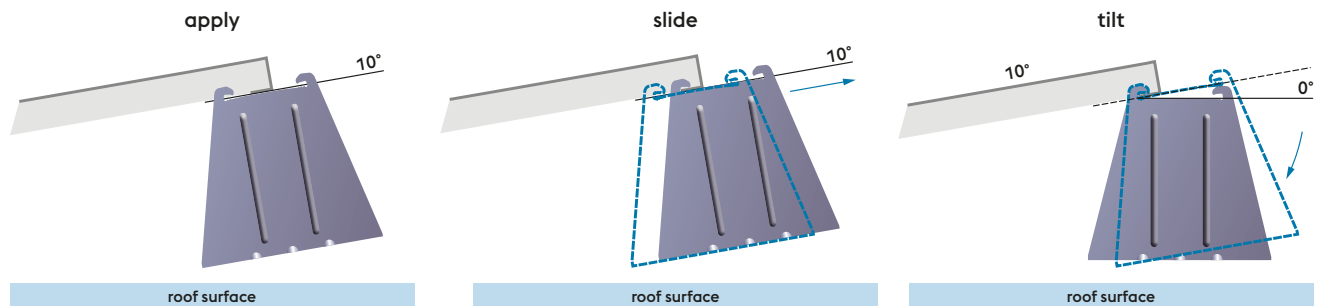
Follow steps 1 to 4 as shown in the current iFIX OW installation instructions.

STEP 2

Attach the first PV module or row of PV modules with the appropriate clamps for the module that is being used.

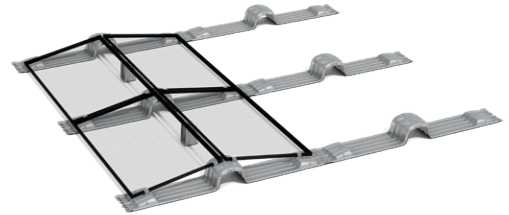
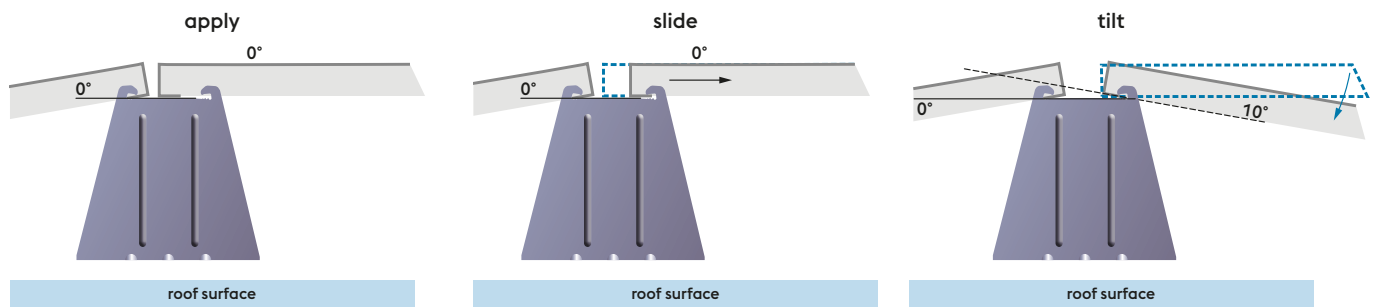
STEP 3

Align the high central support (iFIX Alpin high) on the upper end of the PV module parallel to the bottom of the PV module (10° inclined). Then push the recess of the support onto the flange of the module frame until it stops. Then tilt the support into horizontal alignment. The teeth of the high central support thereby dig into the module frame flange and provide a secure hold. When tilting, lift the PV module slightly.



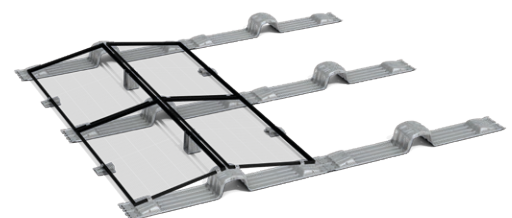
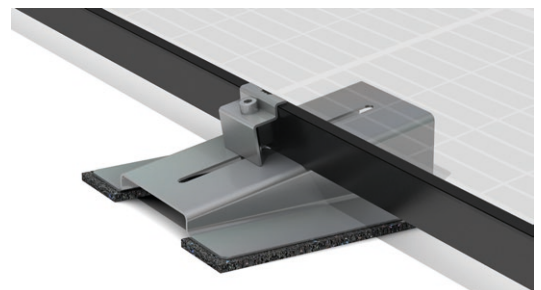
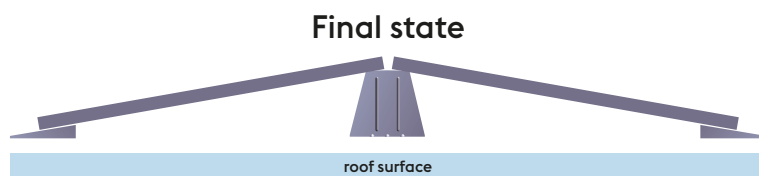
STEP 4

In contrast to step 3, first place the PV module in horizontal alignment on the high central support. Insert it with the frame flange into the second free clamping recess of the central support until it reaches the stop. Then lower the PV module by 10° onto the iFIX sheet. The teeth in the recess of the high central support dig into the module frame. The central support is now fixed between both PV modules. Then fasten the module as described in step 7 of the current iFIX OW installation instructions using the clamps matching the module.



STEP 5

Slide the low central support (iFIX Alpin low) on the low longitudinal side in the center underneath the 1st PV module. Pull the low central support forward until it touches the roof surface and the lower side of the PV module frame. Secure the PV module to the low central support with the end clamp appropriate for the PV module. Repeat this for the 2nd module.



THE COMPANY

Based on competence

For decades, Automotive Components Schwäbisch Gmünd GmbH & Co. KG has been recognized for quality and service in pressing technology. As a supplier to the automotive industry, we have developed powerful technical innovations which we now apply in the solar industry.

Working together

We bring existing operations together to create new value: Four units in Germany and the Netherlands. And above all, the experience of our more than 1,500 employees. When our design, technology,

development and production experts pool their know-how. This gives rise to pioneering solutions for our customers.

With system

We develop system solutions for photovoltaics incorporating a broad range of products which are perfectly coordinated, seamlessly integrated, and can be adapted to meet various requirements. iFIX OW is a perfect example of such a patented system solution.



All information specified in this brochure is according to the current status of our knowledge and experience. As printed materials are not easily updated, please refer to our website for the most recent version. Subject to technical changes, printing, and typesetting errors.

Find out more about iFIX OW
and go to
www.voestalpine.com/iFIX



Sales:

voestalpine Automotive Components Schwäbisch Gmünd
www.voestalpine.com/iFIX

voestalpine
ONE STEP AHEAD.