

Engineered Products



voestalpine COOLING LIQUID FILTER designed for pure performance

The voestalpine Cooling Liquid Filter prevents impurities from clogging conformal cooling channels in molds, thereby ensuring consistent cycle times and stable part quality.

YOUR ADDED VALUE

The voestalpine Cooling Liquid Filter CLF-100 is engineered to protect your conformal cooling solutions. The star-shaped stainless-steel sieve offers exceptional filtration performance, effectively preventing particles larger than 100 µm from entering the cooling channel. This filter is a cost-effective investment, reducing the risk of unnecessary downtimes.

Experience a reliable operation with our stainless-steel filter, engineered for water-based or oil-based coolants in a temperature range of -10 to +260°C. Achieve maximal coolant flow with an impressive flow rate of up to 80 liters per minute up to a nominal pressure of PN 16. The filter can be flanged to the mold or operated directly with a temperature control unit.

The large filter volume and surface ensure extended maintenance intervals. When maintenance is required, the filter cartridge can be removed while the filter housing remains in the system circuit, offering a maintenance-friendly design that reduces downtimes. The filter cartridge itself can be cleaned using compressed air, an ultrasonic bath, or a high-pressure cleaner.

CUSTOMER BENEFITS

- » Prevents clogging of conformal cooling channels
- » Pressure-loss optimized design for high volume flows
- » High filtration capacity
- » Cost effective
- » Easy maintenance and cleaning
- » Operates within wide temperature range



COOLING LIQUID FILTER

Ready to install CLF-100 with filter cartridge 100 µm

Dimensions (L x W x H) 76 x 56 x 131 mm

Connection thread G 3/4"

Installation Wall mounting

Coolant Water / Oil

Operating temperature -10°C / +260 °C

Pressure Rating PN 16

Material Stainless-steel 1.4305

Seal PTFE

Weight ~1.3 kg

MAINTENANCE INDICATOR (ADD ON)

Filter status indicator for maintenance

Dimensions (L x W x H) 45 x 30 x 66 mm

Seal PTFE

SPARE FILTER CARTRIDGE

Dimensions (D x H) Ø 32 x 76 mm

Mesh (size, Area) 100 µm, 150 cm²

Installation Wall mounting

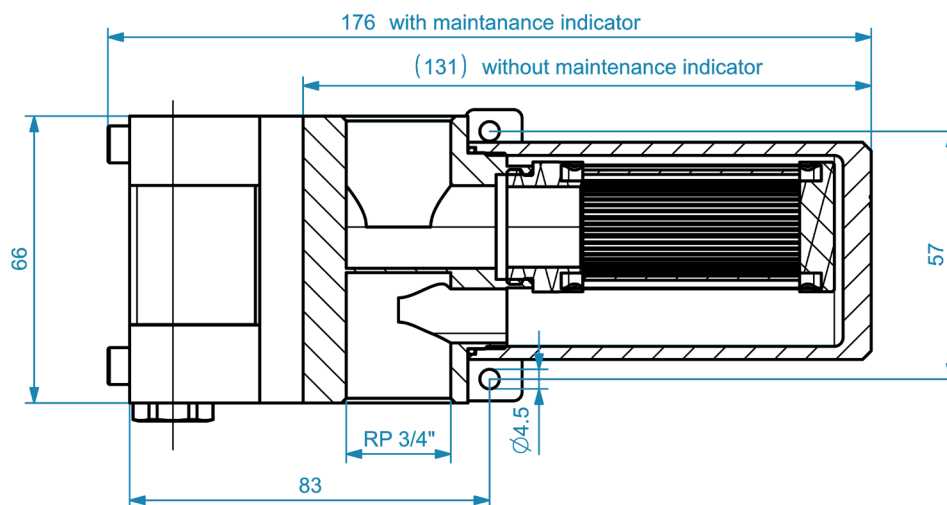
Material Stainless Steel 1.4305

SPARE O-RING

Dimensions (D x H) Ø 45 x 1.5 mm

Seal PTFE

MOUNTING INSTRUCTIONS



voestalpine High Performance Metals GmbH

Donau-City-Straße 7

1220 Vienna, Austria

T. +43/50304 10 - 0

office.edelstahl@voestalpine.com

www.voestalpine.com

JULY_2024_EN

voestalpine

ONE STEP AHEAD.