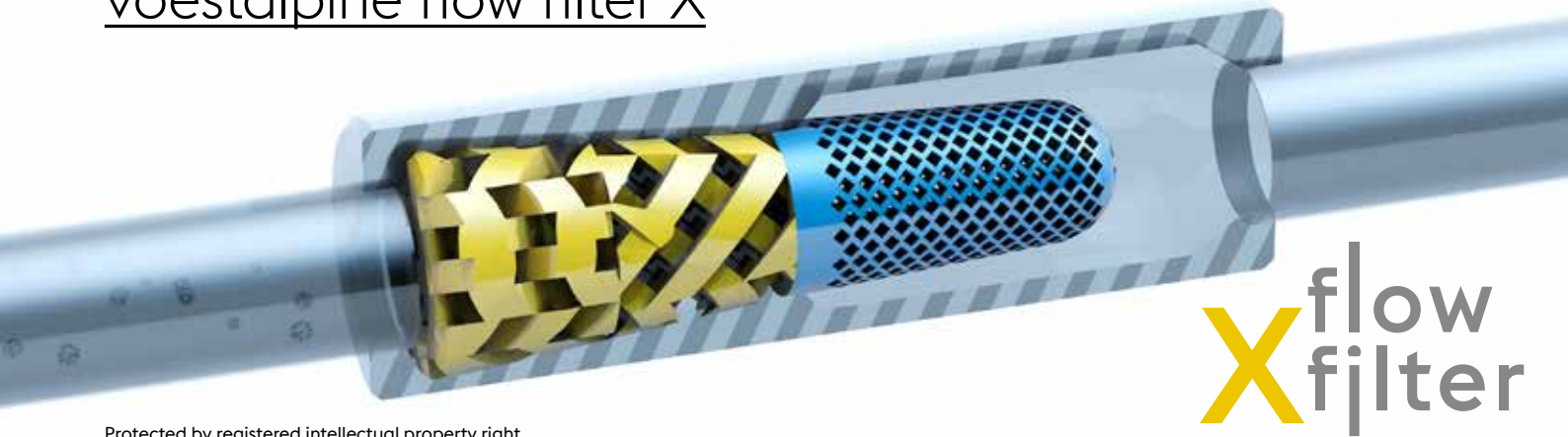


voestalpine flow filter X



X flow filter

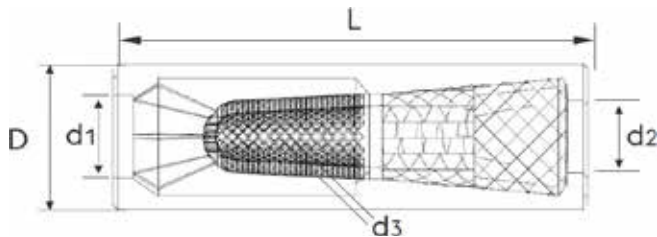
Protected by registered intellectual property right

voestalpine flow filter X is used to avoid problems during injection molding.

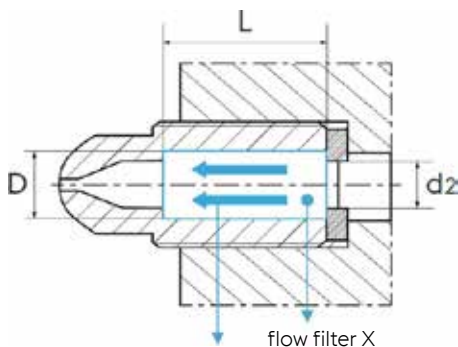
The filter prevents blockages of feed points caused by material impurities, such as those encountered when processing recycled materials. Superior AM-design allows an optimal flow of the plastic melt.

voestalpine flow filter X are suitable for a wide range of unfilled plastics. For further information please consult your sales contact.

article	D [mm]	L [mm]	d1 [mm]	d2 [mm]	d3 [mm]
flow filter X 14x45	14 ⁰ _{-00,2}	45 ⁰ _{-00,4}	8	7	0.6
flow filter X 20x45	20 ⁰ _{-00,4}	45 ⁰ _{-00,4}	14	13	0.6
flow filter X 25x50	25 ⁰ _{-00,5}	50 ⁰ _{-00,4}	19	18	0.6
flow filter X custom	customized				



MOUNTING INFORMATION



flow filter X
Mounting direction, switch for cleaning

voestalpine flow filter X is fitted in a hole in the injection nozzle. Arrows on the outer diameter show the mounting/flow direction.

The filter should be secured at the rear by a washer. For cleaning, the filter can simply be reversely mounted and flushed with plastic melt.

CHARACTERISTICS

- » Up to 33 % less pressure drop*
- » Up to 50 % less shear stress*
- » Large filtration area
- » Small mesh size also for bigger diameters
- » Good mixing properties
- » Corrosion resistant
- » Wear resistant (50 HRC)

*compared to edge filter

BENEFITS

- » Trouble-free injection molding
- » Lower energy consumption
- » Less machine wear
- » Better part quality
- » Better mechanical part properties
- » Lower maintenance and downtime costs
- » Less risk of residues on the mold surface
- » Easy cleaning
- » Long lifetime