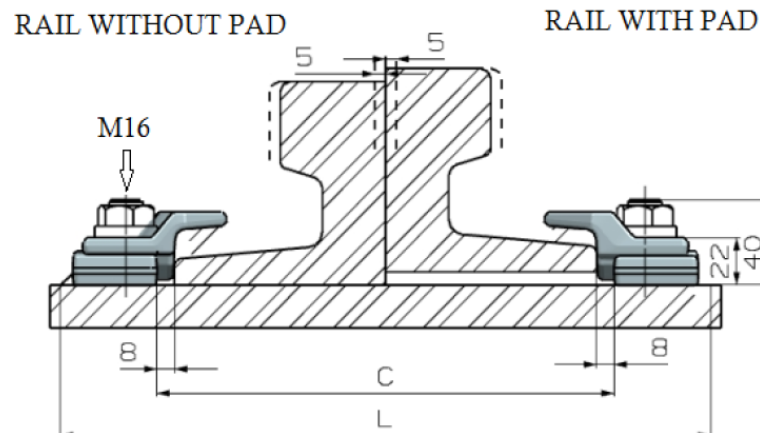


**TECHNICAL SPECIFICATIONS**

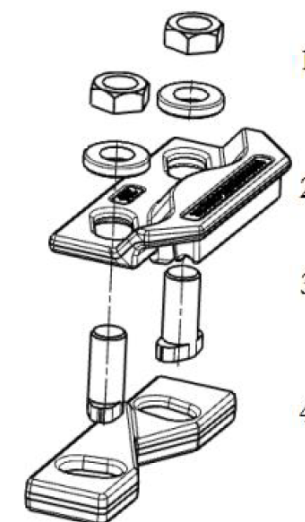
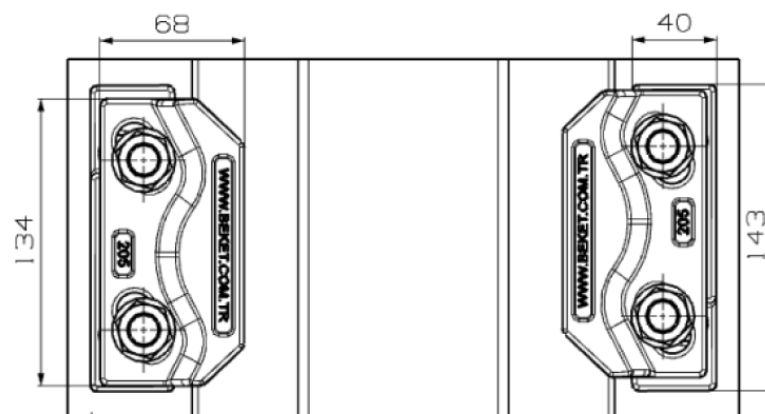
Max side load 165 KN  
Lateral adjustment 8  
Bolt M16 gr 8.8  
Torque tightening 175 Nm  
Steel Quality St52-3

**SPECIFICATIONS**

Shore	75 ± 5
Maximum Tensile Strength	12,7 N / mm <sup>2</sup>
Elongation	255% (200% af)
Working Temperature	-30° - +110 C°
Vibration Reduction	45% - 50%
Noise Reduction (dbA)	12%
Permanent Set	<5% (<20%)



Minimum assembly width -  $L = \text{Rail width } E + 110 \text{ mm}$        $C = \text{Rail width } E + 16$



1. Flange nut M16
2. Upper clip with rubber nose
3. Special screw M16
4. Weldable lower clip

CLIPS NO	Torque tightening	Side load	Weight kg
VA 205	175 Nm	165 KN	1.425
VA 205 P			1.475