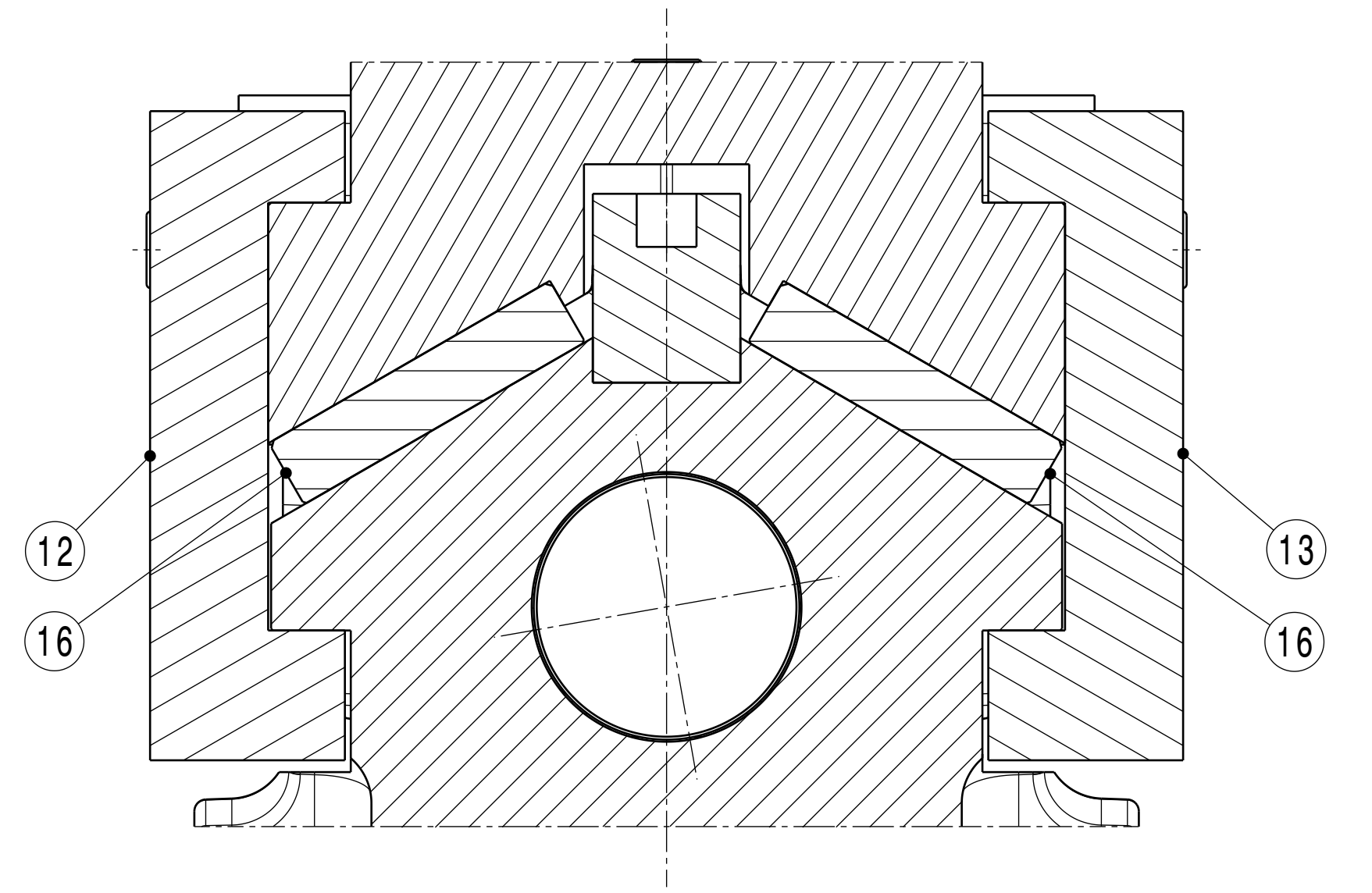
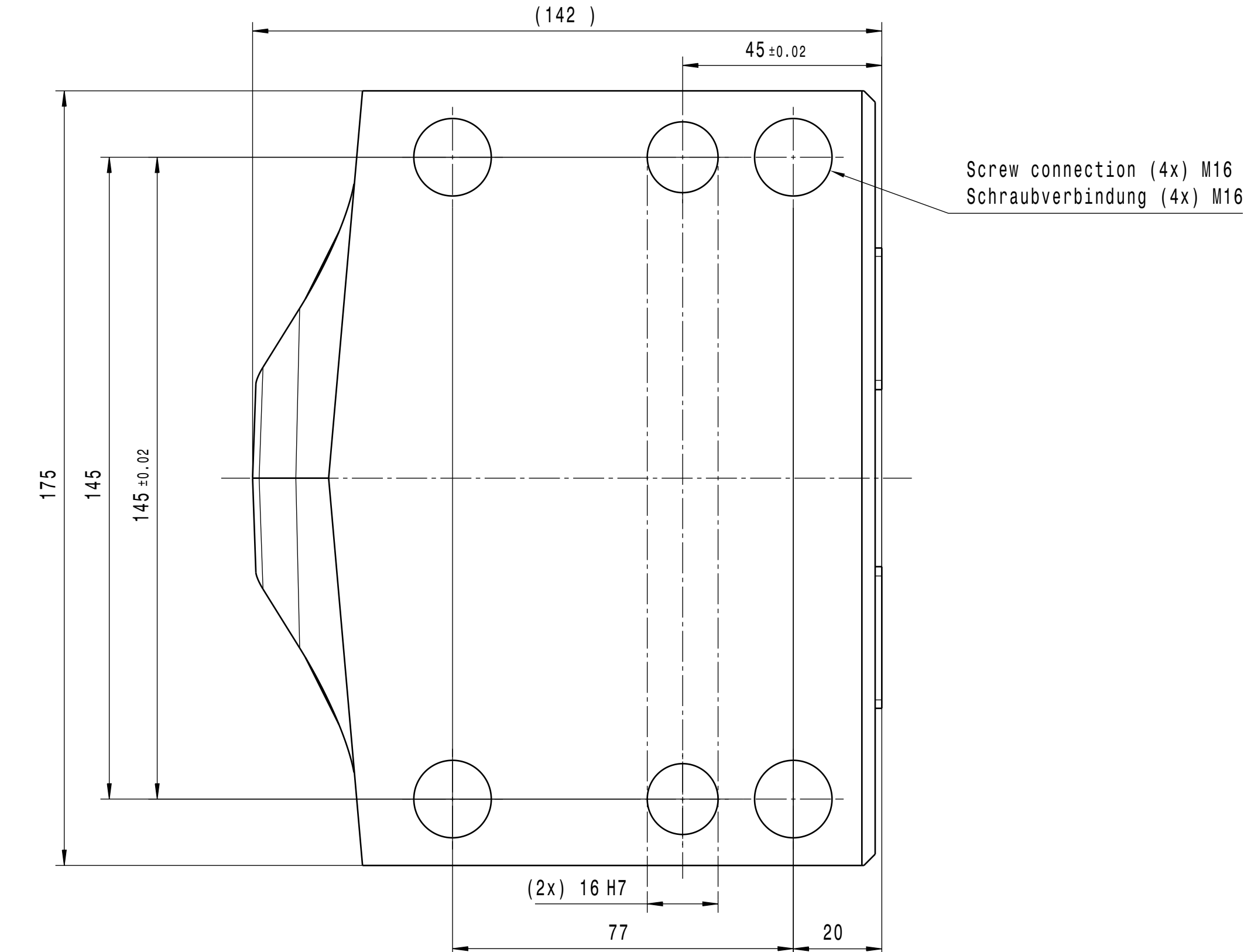


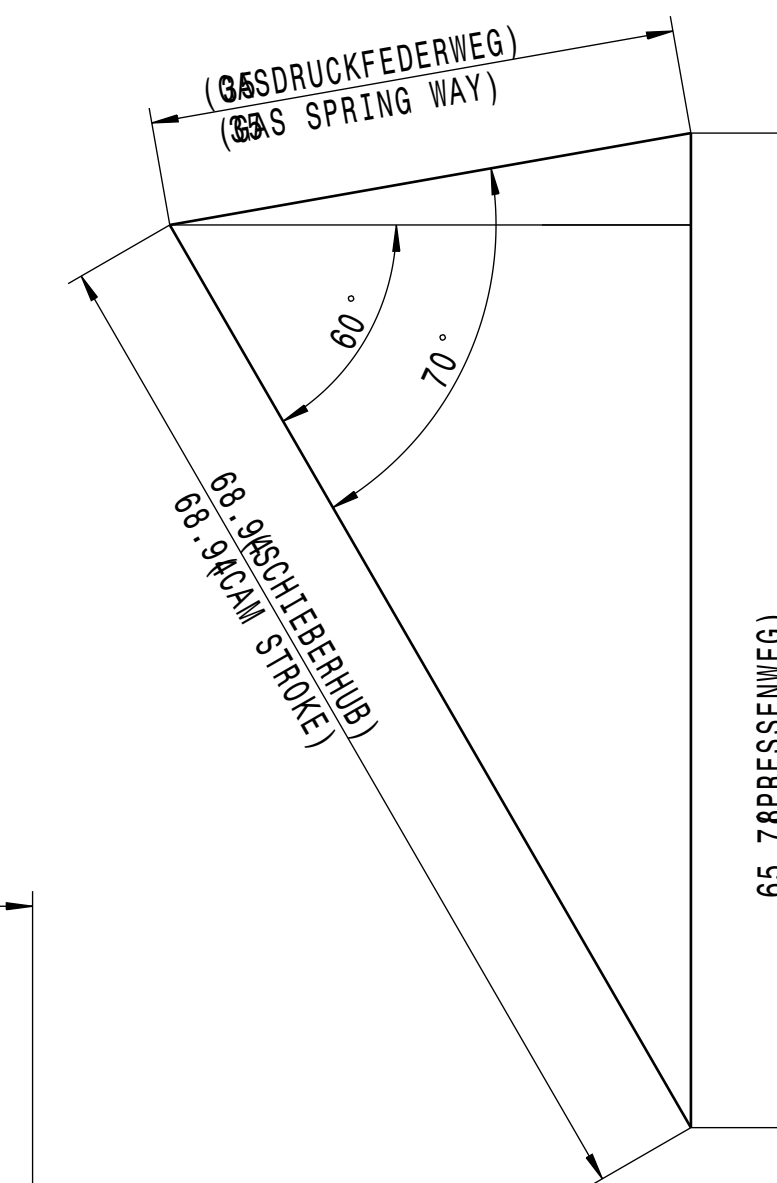
Section view C-C



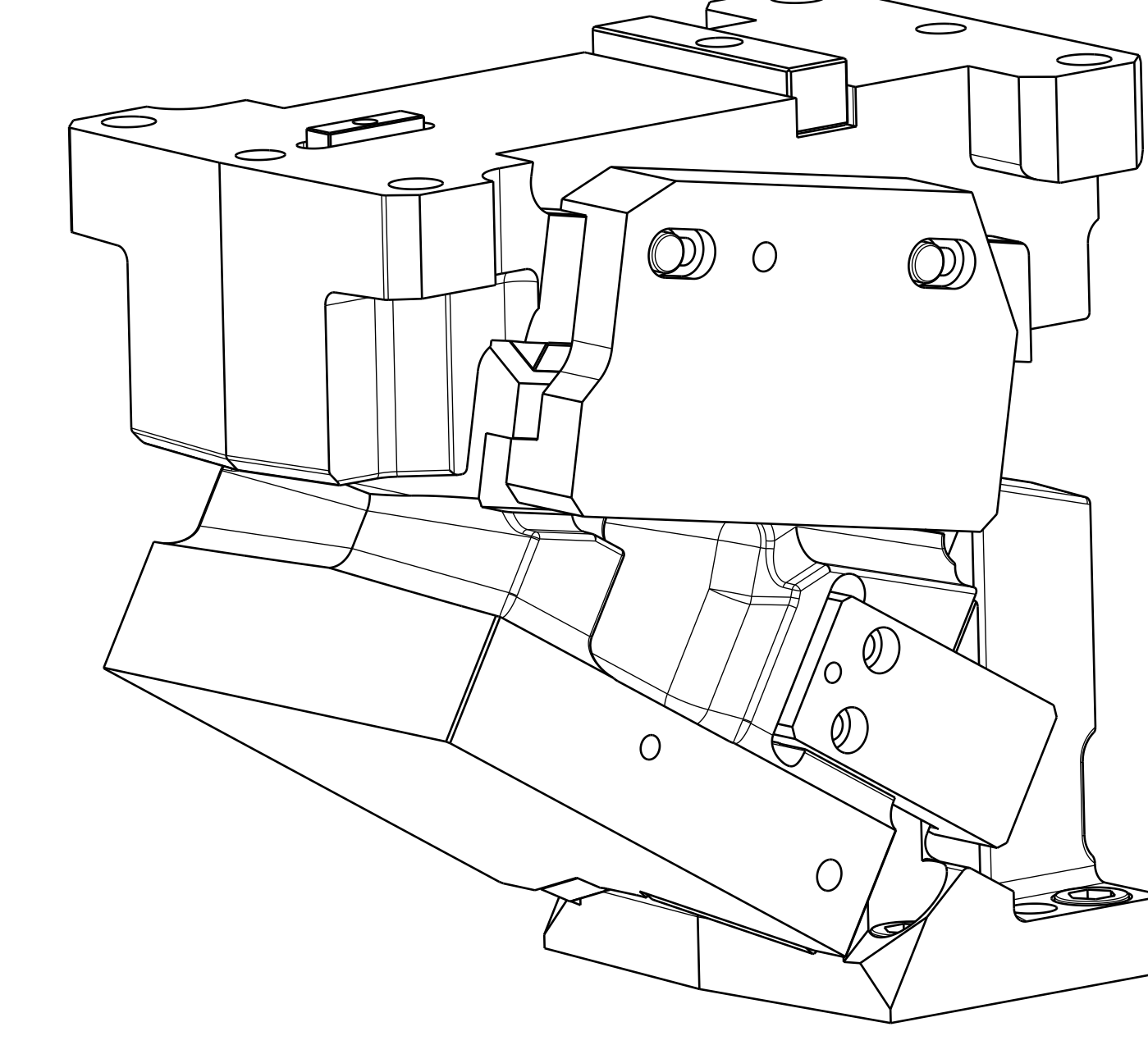
Bottom View
CAM - DRIVER



CAM-DIAGRAM (2:1)

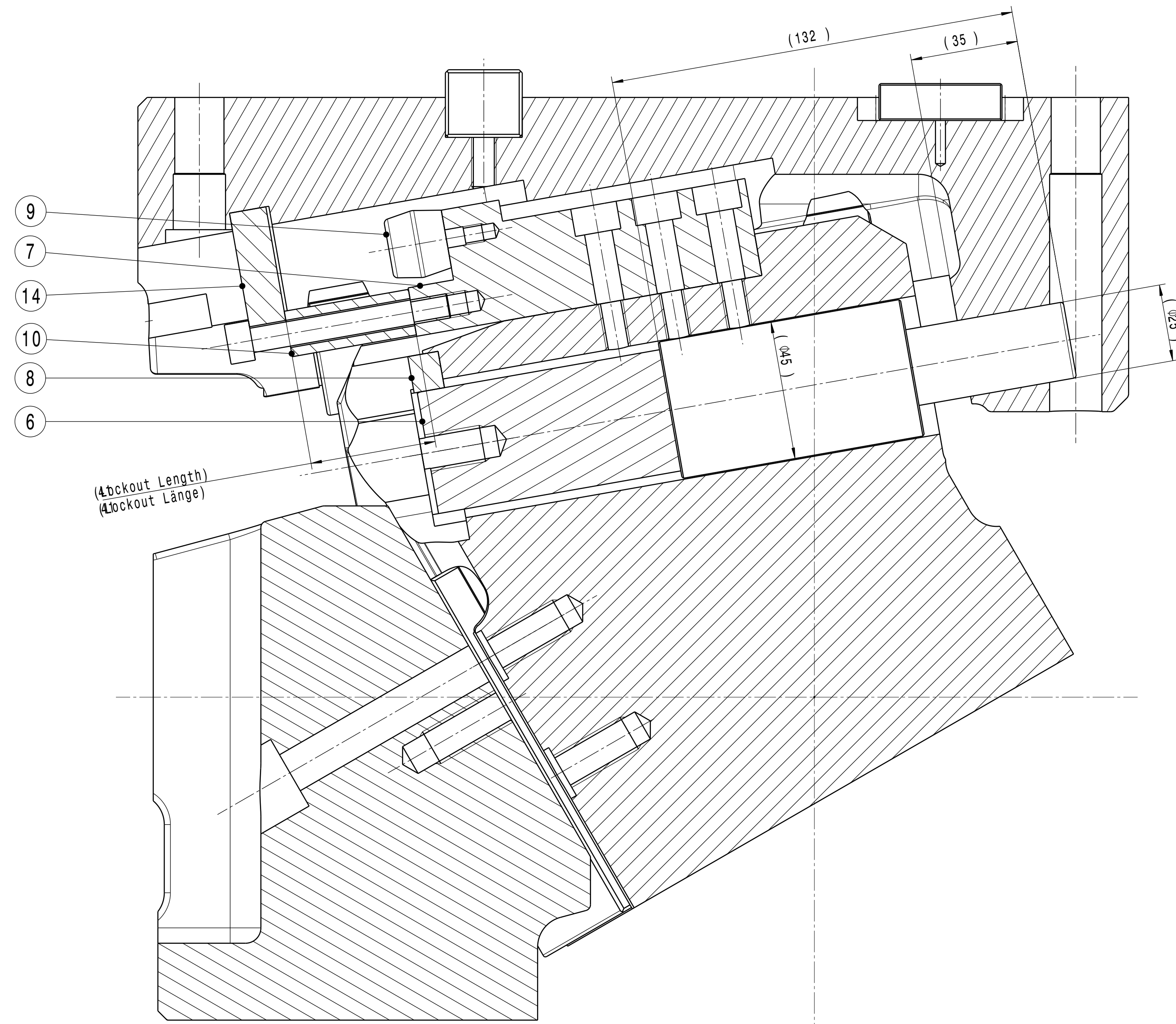


Isometric view

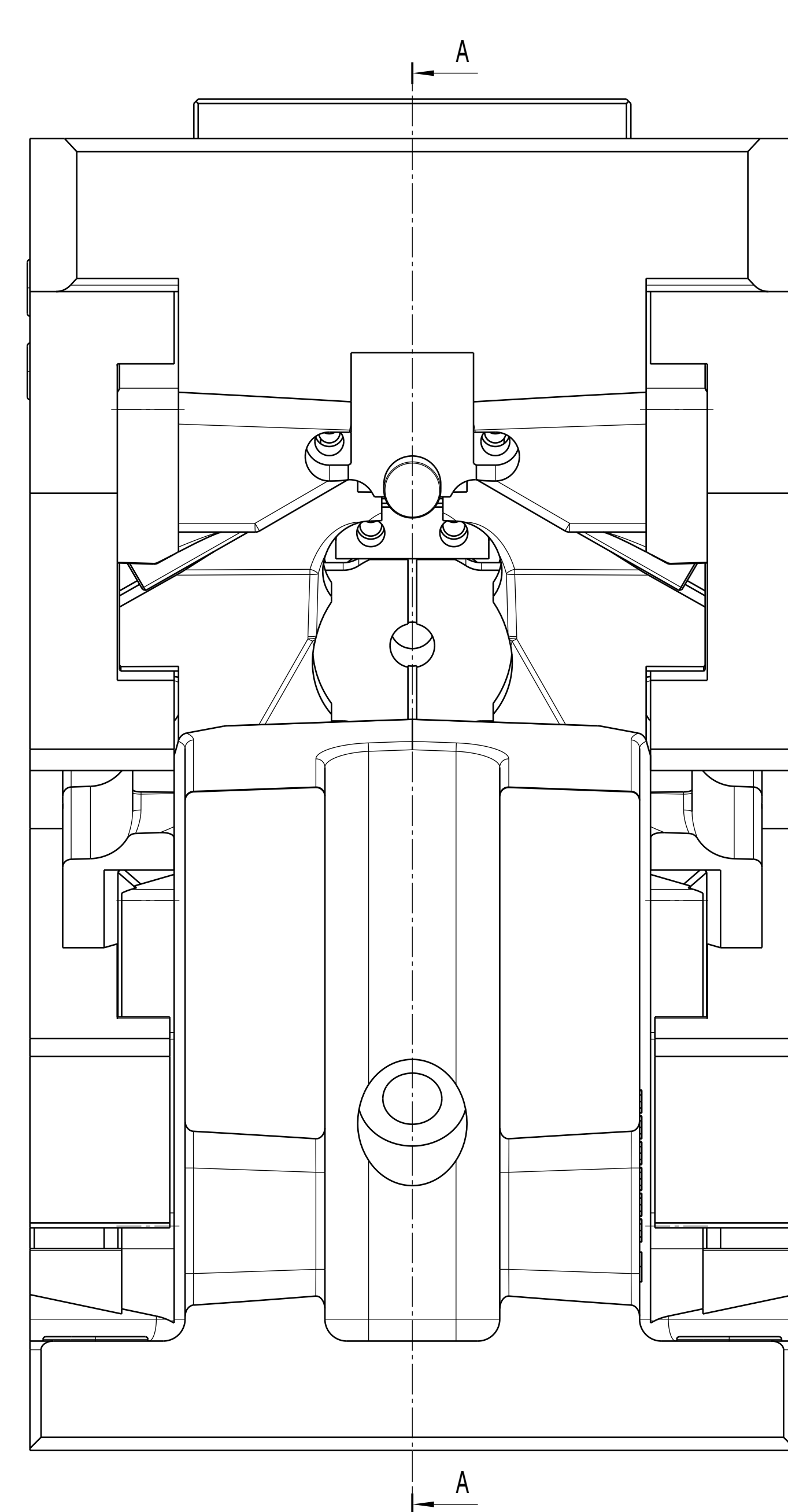


Diese Zeichnung ist geistiges Eigentum der voestalpine Cantec GmbH. Eine Weitergabe an Dritte ohne unsere Zustimmung ist nicht erlaubt. This drawing is intellectual property of voestalpine Cantec GmbH. A transfer to a third party without our agreement is not allowed.

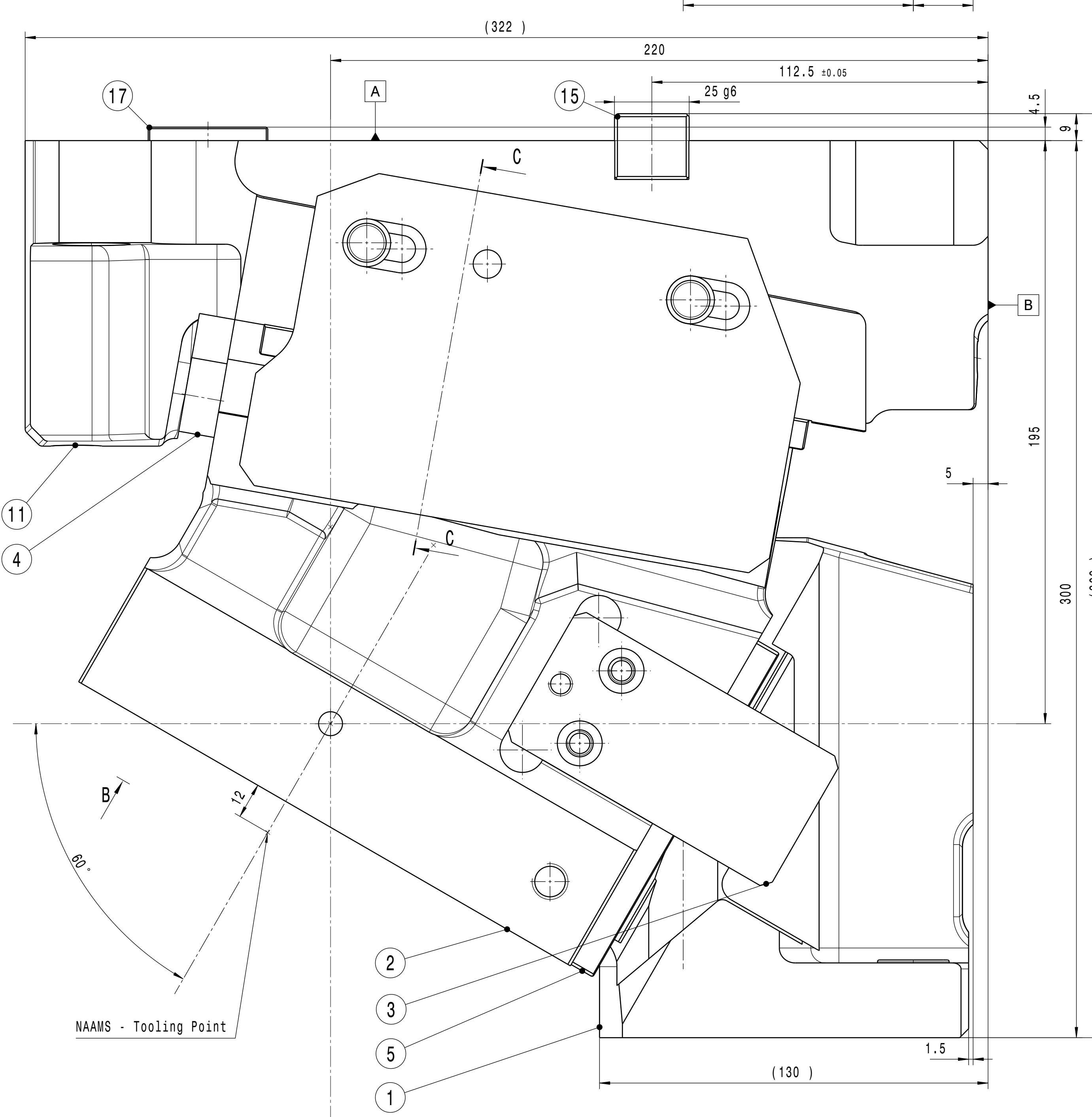
Section view A-A



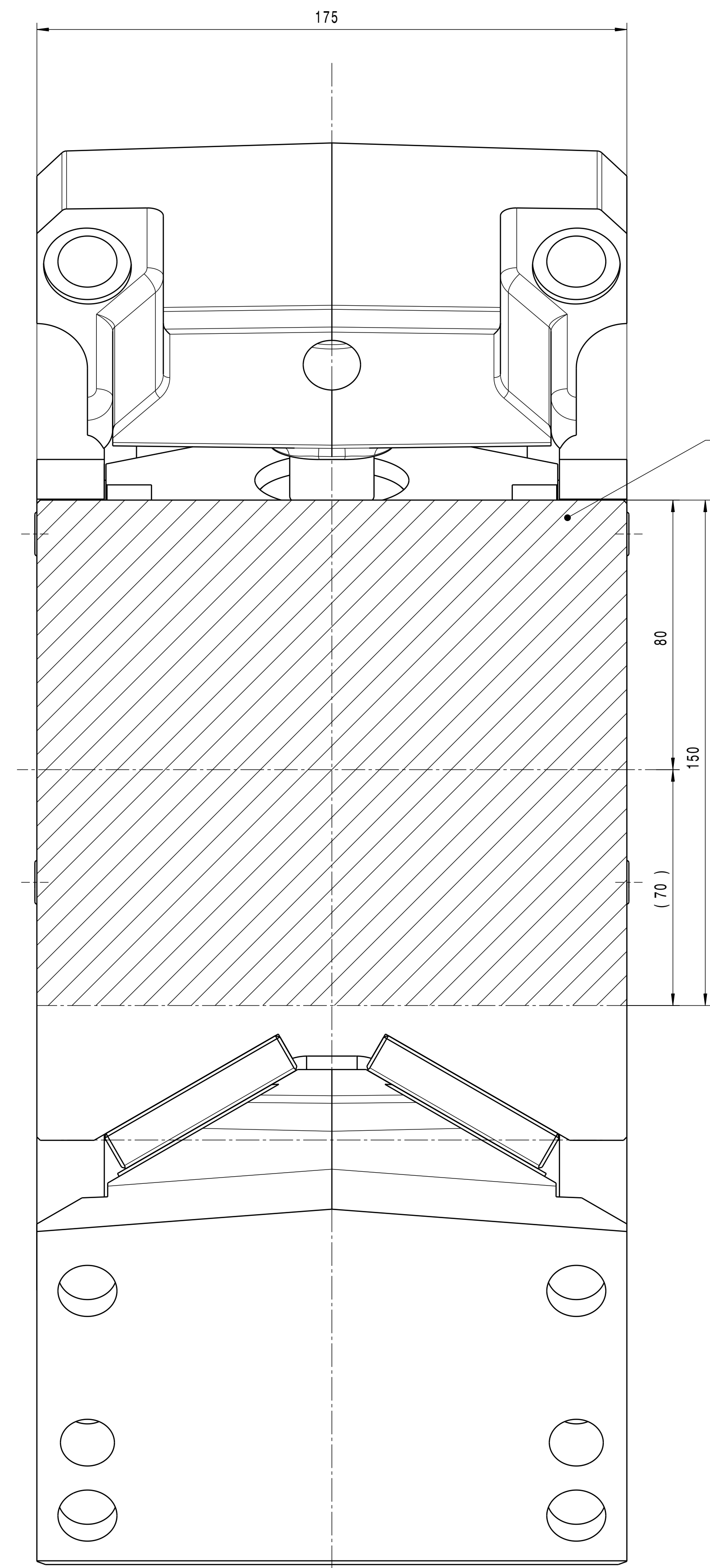
Right view



Front view



Auxiliary view B



Description	Finished Part
Cam Driver	14.66
Cam Slider	29.55
Schieberbett	20.16
Additional Parts	15.39
Sub-assembly	
Total Weight	79.76

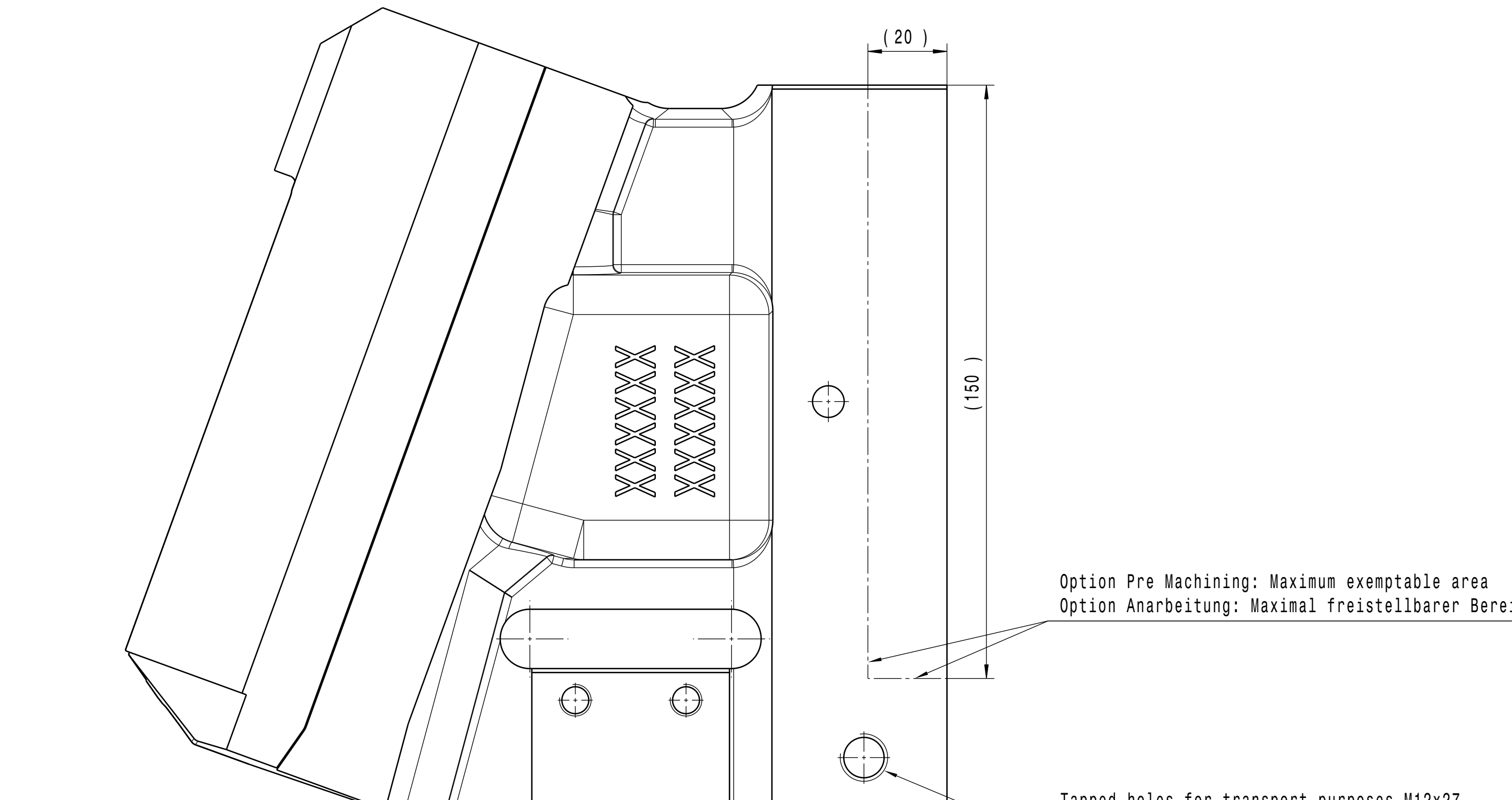
Screw - Position	Id. No.	Description	DIN	Dim.	Mechanical-Resistance	Quantity
Schraubenposition	Id. Nr.	Bezeichnung			Festigkeitsklasse	Stückzahl
Wear Plate - Cam Slider (B)	112572	Cyl. Head Screw	DIN 912	M8x16	10.9	4
Gleitleiste - Schieberbett (B)	112572	Zyl. Kopf Schraube	DIN 912	M8x16	10.9	4
Wear Plate - Cam Base (A)	112572	Cyl. Head Screw	DIN 912	M8x16	10.9	4
Gleitleiste - Schieberbett (A)	112572	Zyl. Kopf Schraube	DIN 912	M8x16	10.9	4
Safety Plate	112561	Cyl. Head Screw	DIN 912	M8x20	10.9	2
Sicherungsplatte	112561	Zyl. Kopf Schraube	DIN 912	M8x20	10.9	2
Side Plate	112570	Low Head Screw	DIN 7984	M8x25	10.9	4
Führungsklammer	112540	Flachkopf Schraube	DIN 125A	M8		4
	108800	Washer	DIN 125A	M8		4
	108800	Scheibe	DIN 125A	M8		4
	108800	Dowel Pin	DIN 79790	D10x20	-	2
	108800	Zylinderstift	DIN 79790	D10x20	-	2
Pin Puller	112560	Flange -Oval Head Screw	ISO7380-2	M6x12	10.9	1
Stiftzieher	112560	Linienerschraube mit Flansch	ISO7380-2	M6x12	10.9	1
Positive Return	112570	Low Head Screw	DIN 7984	M8x25	10.9	4
Zwangsrückzug	112570	Flachkopf Schraube	DIN 7984	M8x25	10.9	4
Lockout	112574	Cyl. Head Screw	DIN 912	M8x65	10.9	1
Stop Block	112573	Cyl. Head Screw	DIN 912	M8x35	10.9	3
Anschlag	112573	Zyl. Kopf Schraube	DIN 912	M8x35	10.9	3
Stop Plate	112561	Cyl. Head Screw	DIN 912	M8x20	10.9	2
Halteplatte	112561	Zyl. Kopf Schraube	DIN 912	M8x20	10.9	2
Fitting Key	112508	Cyl. Head Screw	DIN 912	M8x22	10.9	1
Passfeder	112508	Zyl. Kopf Schraube	DIN 912	M8x22	10.9	1
	112530	Cyl. Head Screw	DIN 912	M4x16	10.9	1
	112530	Zyl. Kopf Schraube	DIN 912	M4x16	10.9	1
Driver - Lock Screw	112576	Cyl. Head Screw	DIN 912	M12x90	10.9	1
Treiber - Lock Schrauben	112576	Zyl. Kopf Schraube	DIN 912	M12x90	10.9	1

Item No.	Quantity	Part Description	Basis ID	Material	Index
Stücklistennr.	Stückzahl	Teilbezeichnung		Werkstoff	
1	1	401298_Cam_Driver_175-60_00	401282	EN-GJS 700-2	0
2	1	401310_Cam_Slider_175-70_00	401304	EN-GJS 700-2	0
3	2	22094_Positive_Return_00	-	1.7225	0
4	1	112228_Gas_Spring_00	-	-	0
5	2	16564_Wear_Plate_12x60x125_00	-	WF 750/1A	0
6	1	22099_Lock_Plate_00	-	1.7225	0
7	1	22207_Stop_Block_00	-	1.7225	0
8	1	23372_Safety_Plate_00	-	1.7225	0
9	1	112225_Damping_Element_00	-	-	0
10	1	22168_Lockout_00	-	1.0038	0
11	1	401331_Cam_Base_175-10_00	-	EN-GJS 700-2	0
12	1	22188_Side_Plate_B64_175-220_00	-	1.7225 - Sinter	0
13	1	22188_Side_Plate_B64_175-220_00	-	1.7225 - Sinter	0
14	1	22189_Stop_Plate_00	-	1.7225	0
15	1	23391_Fitting_Key_00	-	1.0503	0
16	2	16567_Wear_Plate_12x55x185_00	-	WF 750/1A	0
17	1	23243_Fitting_Key_00	-	1.0503	0

Specifications / Technische Daten:
 Cam Stroke / Schieberhub: 68.94mm
 Working Face / Arbeitsfläche: 175 x 150mm
 Sliding surfaces hardened / Gleitflächen gehärtet

voestalpine Cantec GmbH		Aerial Cam / Oberteilschieber	
Modification description:	Date/Date	Name	Ident-No.:
Änderung:	2019-04-03	LACK	OT-175-60°
checked	2019-04-03	HEISSCHL	Customer-Drawing
geprüft			Premium: 27152
			Customer-Drawing
			Basis: 27652
ISO 2768	Scale/Vermaß:	Drawing-Number/Zeichnungsname:	Index:
mK	1:1	27152_ZSB_0-KS_175-60_00	00

Front view
CAM - SLIDER



Top View
CAM - BASE

