

International offices

GERMANY

voestalpine Deutschland GmbH
 Wilhelm-Wagenfeld-Straße 26
 80807 München, Germany
 T. +49/172/926 9141
 thomas.milke@voestalpine.com
 M. +43/664/883 236 24
 andy.kromoczinsky@voestalpine.com

HOLLAND/BELGIUM

Technisches Büro Bäcker B.V.
 Pieter Liefstinckweg 20
 1505 HX Zaandam, Netherlands
 T. +31/75/681 80 00
 F. +31/75/681 80 01
 info@tbbacker.nl

NORTH AMERICA

voestalpine Camtec Corp.
 1907 Albion Road
 Toronto ON M9W 5S8, Canada
 marlene.sturm@voestalpine.com
 T. +1/6477454592
 charles.ciaravino@voestalpine.com
 T. +1/4166755150
 mike.reid@voestalpine.com
 T. +1/4372478009

SOUTH AFRICA

voestalpine Eurostahl GmbH
 23 Anvil Road, Isando 1600,
 South Africa
 T. +27/11/928-3715
 M. +27/82/085 67 04
 M. +43/664/8832 48 46
 bettina.poell@voestalpine.com

SLOVAKIA

E - Normalie servis s.r.o.
 Rybná 716/24,
 110 00 Staré Město, Praha
 Czech Republic
 T. +420/566/521 436
 info@e-normalie.cz

voestalpine Camtec GmbH
 voestalpine-Straße 3
 4020 Linz, Austria
 T. +43/50304/15-0
 F. +43/50304/55-8069
 sales.camtec@voestalpine.com
 www.voestalpine.com/camtec

SPAIN

Auxtrol Auxiliar de Troquelaria S.A.
 Pol. Ind. El Campillo, Pab. A-9
 48509 Abanto - Zierbena, Spain
 T. +34/94/6363-612
 F. +34/94/6363-658
 comercial@auxtrol.com

MEXICO

voestalpine Camtec Corp.
 Cerrada la Noria No. 200 Int. A-14
 Parque Industrial Queretaro
 C.P. 76220, Queretaro, Mexico
 T. +52/442/402 19 08
 rodrigo.fonseca@voestalpine.com

CHINA

voestalpine Steel Trading Co., Ltd.
Shanghai Branch
 Representative Office
 Room 1313, No. 383 Li Zhou Building,
 Nan Qiao Huan Cheng Dong Lu,
 Feng Xian, Shanghai, P. R. China
 T. +86/21 6089 0708
 M. +86/133 11612667
 zhenhua.xue@voestalpine.com
 Jun.Ma@voestalpine.com
 M.: +86/13917498098
 Rongsheng.Yan@voestalpine.com
 M.: +86/18967377316

TURKEY

voestalpine Eurostahl GmbH Istanbul
Liaison Office
 Fatih Sultan Mehmet Mahallesi Poligon
 Cad., Buyaka 2 Sitesi No:8C
 Kule 3, Kat 11, Daire:67
 34771 Ümraniye-Istanbul, Turkey
 T. +90/216/290 75 20
 M. +90/554/181 58 61
 alihan.aydin@voestalpine.com

SWEDEN / NORWAY

FINLAND / DENMARK
Lagermetall AB
 Boskärsgatan 23
 702 25 Örebro, Sweden
 T. +46/19/1045-25
 F. +46/19/1238-55
 brons@lagermetall.se

voestalpine

ONE STEP AHEAD.

03/2021

CZECH REPUBLIC

voestalpine ČR s.r.o.
 Karlovo náměstí 31
 120 00 Praha 2, Czech Republic
 T. +420/224/9081-00
 F. +420/224/9081-04
 michal.koutnak@voestalpine.com

E - Normalie servis s.r.o.

Rybná 716/24,
 110 00 Staré Město, Praha
 Czech Republic
 T. +420/566/521 436
 info@e-normalie.cz

ITALY

Maric S.A.S. di Rossato & C.
 Via Milano 7
 23878 Verderio Superiore-LC, Italy
 T. +39/039/928 12-62
 F. +39/039/951 71-75
 maricas@maricas.com

voestalpine Italia S.r.l.

Via F. Turati, 29
 20121 Milano, Italy
 T. +39/02/290 81-232
 F. +39/02/290 81-219
 sabine.koellerer@voestalpine.com

SOUTH KOREA

WonNetworks
 GWANG JU Design Center
 [61012] 616Ho, 27, Cheomdangwagi-ro
 176beon-gil, Buk-gu, Gwangju City,
 Republic of Korea
 M. +82/10/4899-8681
 kwangwon.kim@voestalpine.com



O-BS
 OPTIMIZED
 BASIC CAM

voestalpine Camtec GmbH
 www.voestalpine.com/camtec

voestalpine

ONE STEP AHEAD.

O-BS – OPTIMIZED BASIC CAM UNIT

Precision meets power.

Our new developed basic cam unit is an economical alternative to our premium series. With a load-dependent service life of up to one million strokes, it impresses with its optimized application options, simplified handling and strong forces. Thus it offers added value for all customers.

HIGHLY COMPACT DESIGN AND REDUCED COMPLEXITY
resulting from reduced number of components

STRONG RETRACTION FORCES
for the processing of high-strength steels

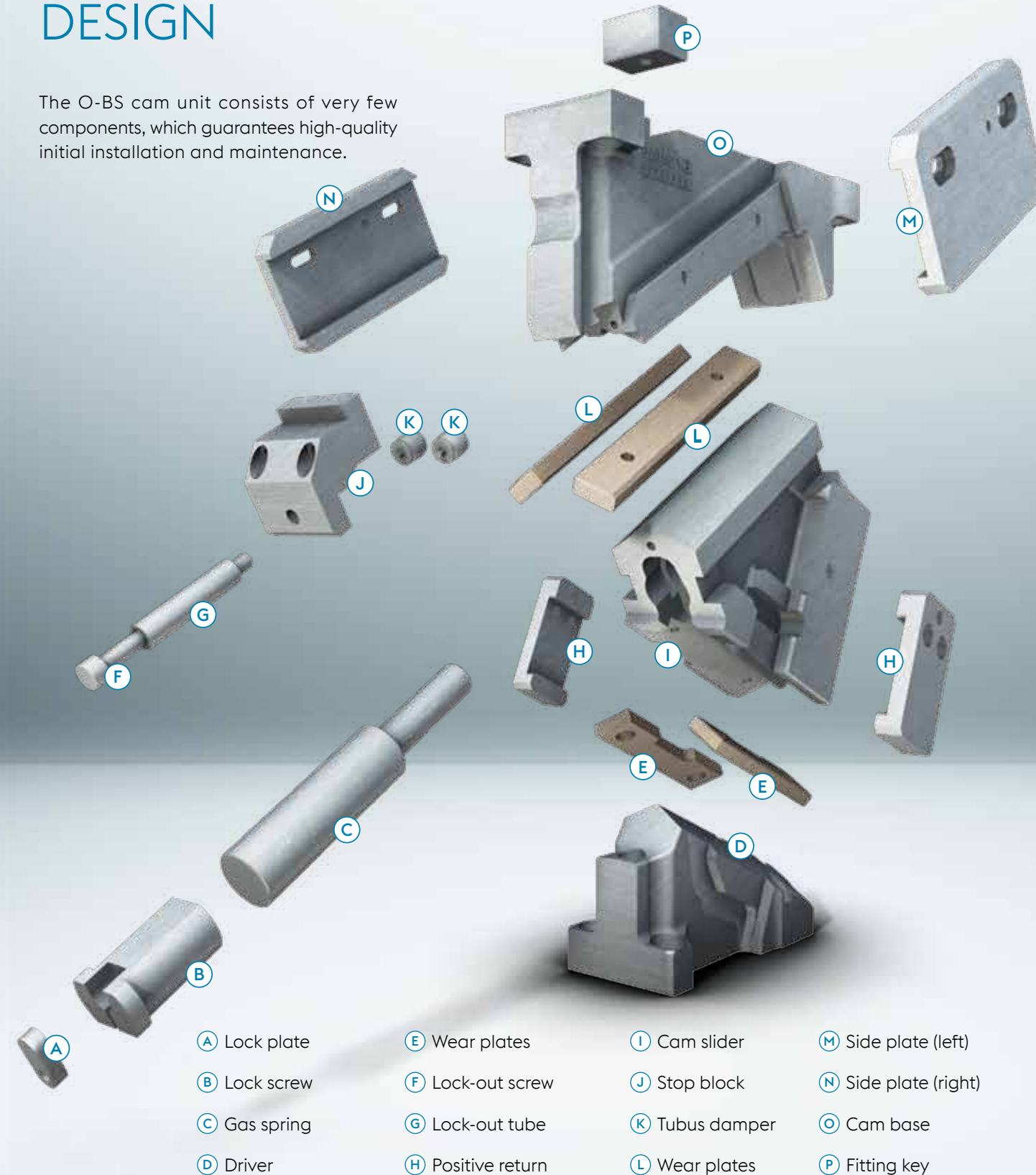
PATENTED 1° ANGLE
of side plates

CONVINCING MANUFACTURING QUALITY
based on certified materials and optimized surface properties

FLEXIBLY EXCHANGEABLE
from the back or the side – for improved handling and more efficient tool usage

HIGH-PRECISION DESIGN

The O-BS cam unit consists of very few components, which guarantees high-quality initial installation and maintenance.



O-BS TECHNICAL DETAILS

Important information at a glance

Here you will find important technical data for the optimized basic cam unit. Should you have any further questions about O-BS, our experienced team of specialists will be happy to assist you at any time. Please contact us at sales.camtec@voestalpine.com

	O-BS
Average service life (depending on loads)	1,000,000 strokes
Guaranteed service life – Level 1 / Level 2	500,000 / 750,000 strokes
Precision adjustments made during assembly	Yes
Sliding surfaces	At least Rz 6.3, unhardened
Field of application	Shaping, beveling, punching cutting
Angle range	0° – 75°
Tensile strength of driver, sliding element and cam base materials	600 N/mm ² minimum
Available widths (mm)	60, 65/85, 90/110, 125/160, 175/220, 260/330, 400/500
Lock-out system	Yes
Guide clamps	1.7225 / Sinter
Positive return	Both sides
Measuring holes	Yes
Gas spring	Yes
Special cam unit options	Yes
Compliant with BAK/VDI	Yes
NAAMs insert point	Yes



The QR code leads you directly to the force diagrams

Please find the most state-of-the-art O-BS cam units in our product finder: www.voestalpine.com/camtec/Product-Finder