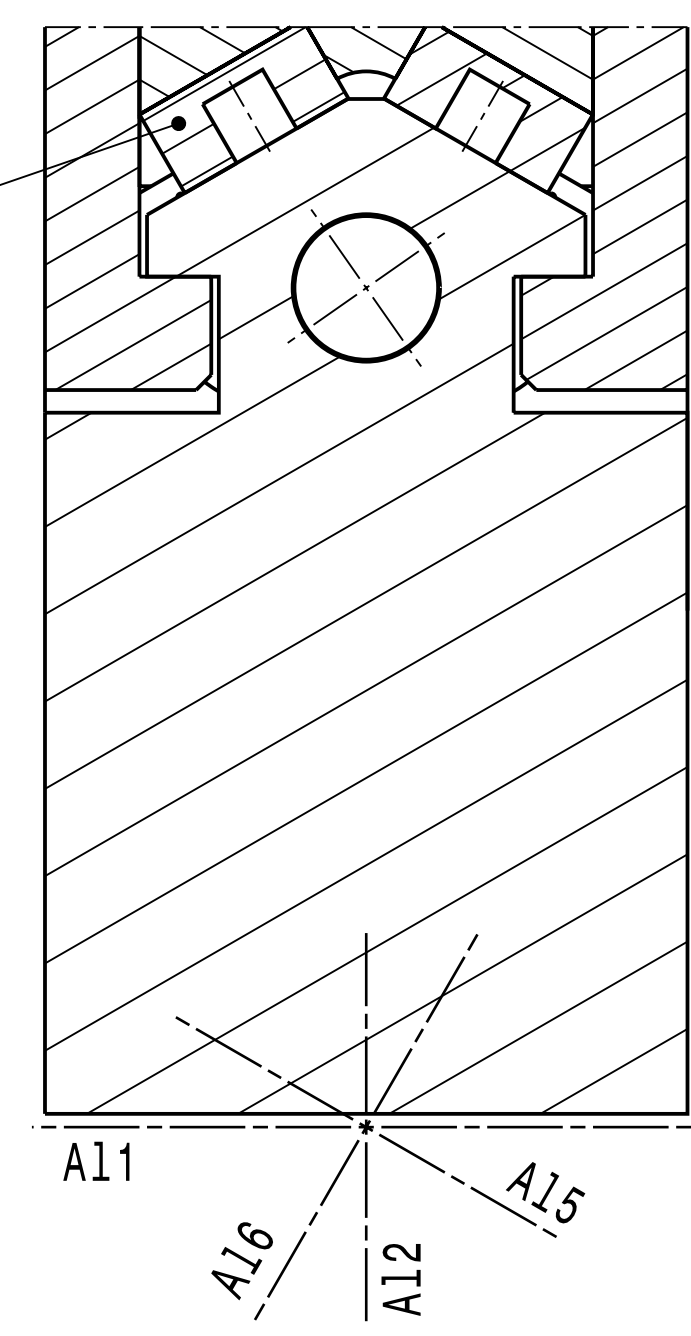
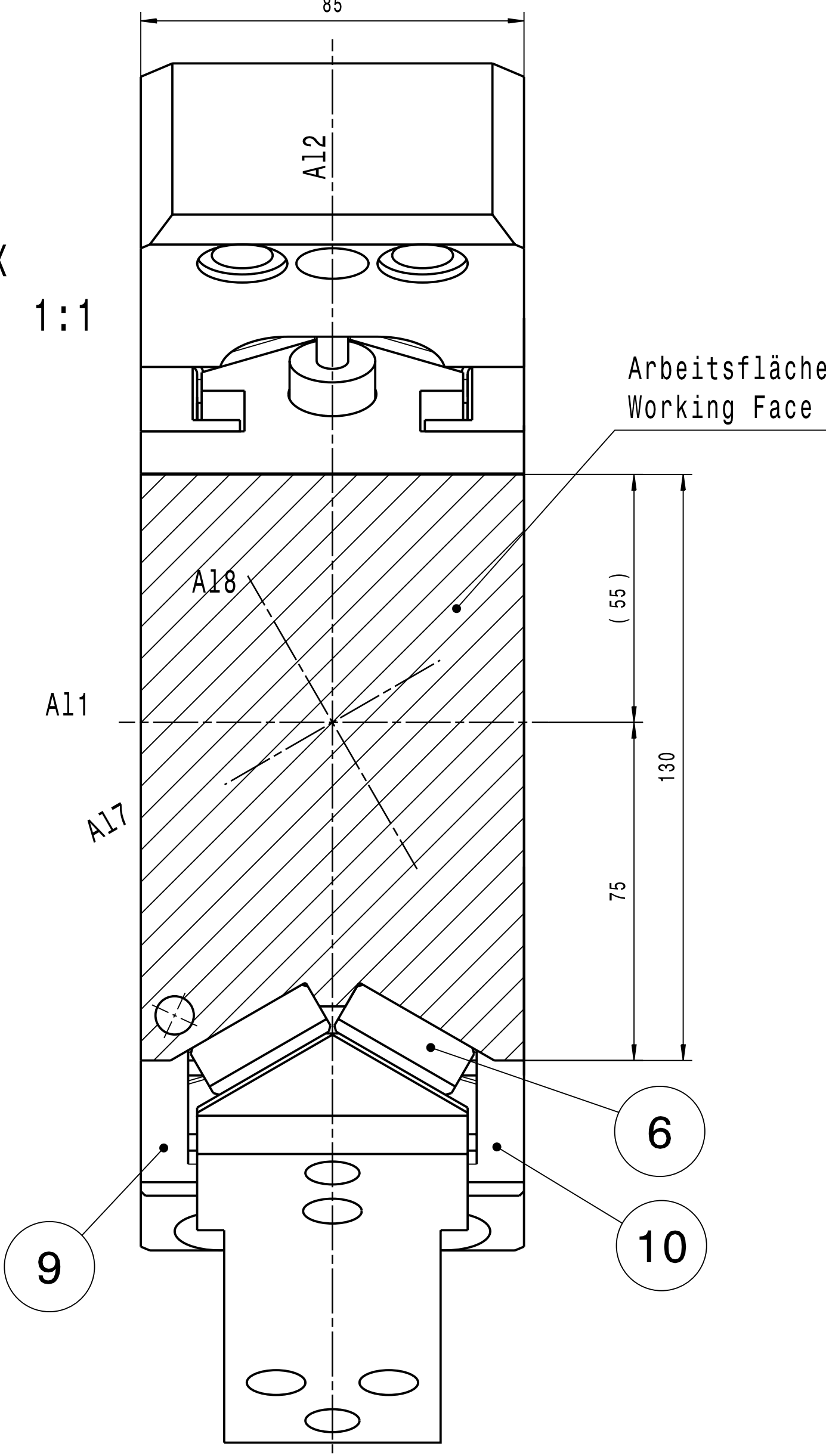


Schnitt D-D  
Maßstab: 1:1

7

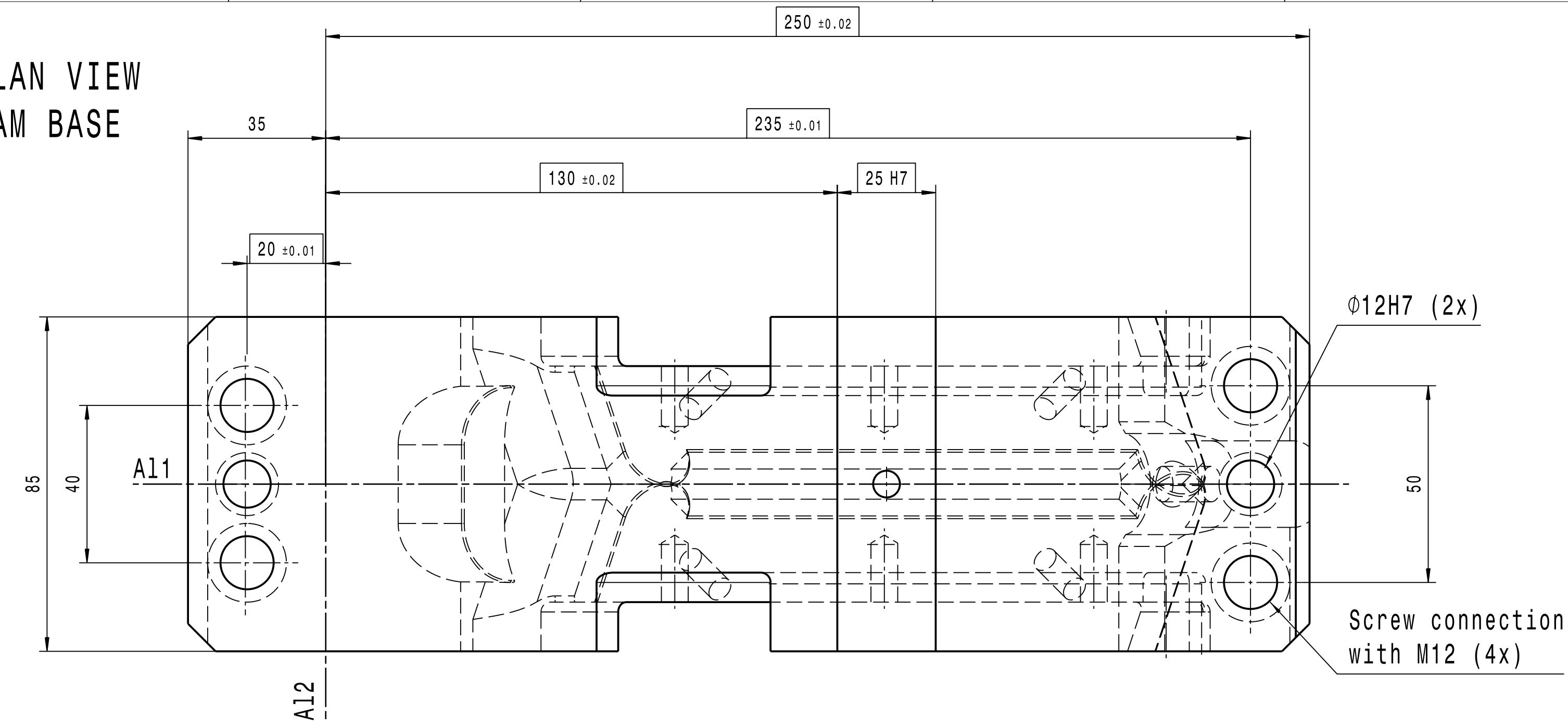


Ansicht X  
Maßstab: 1:1

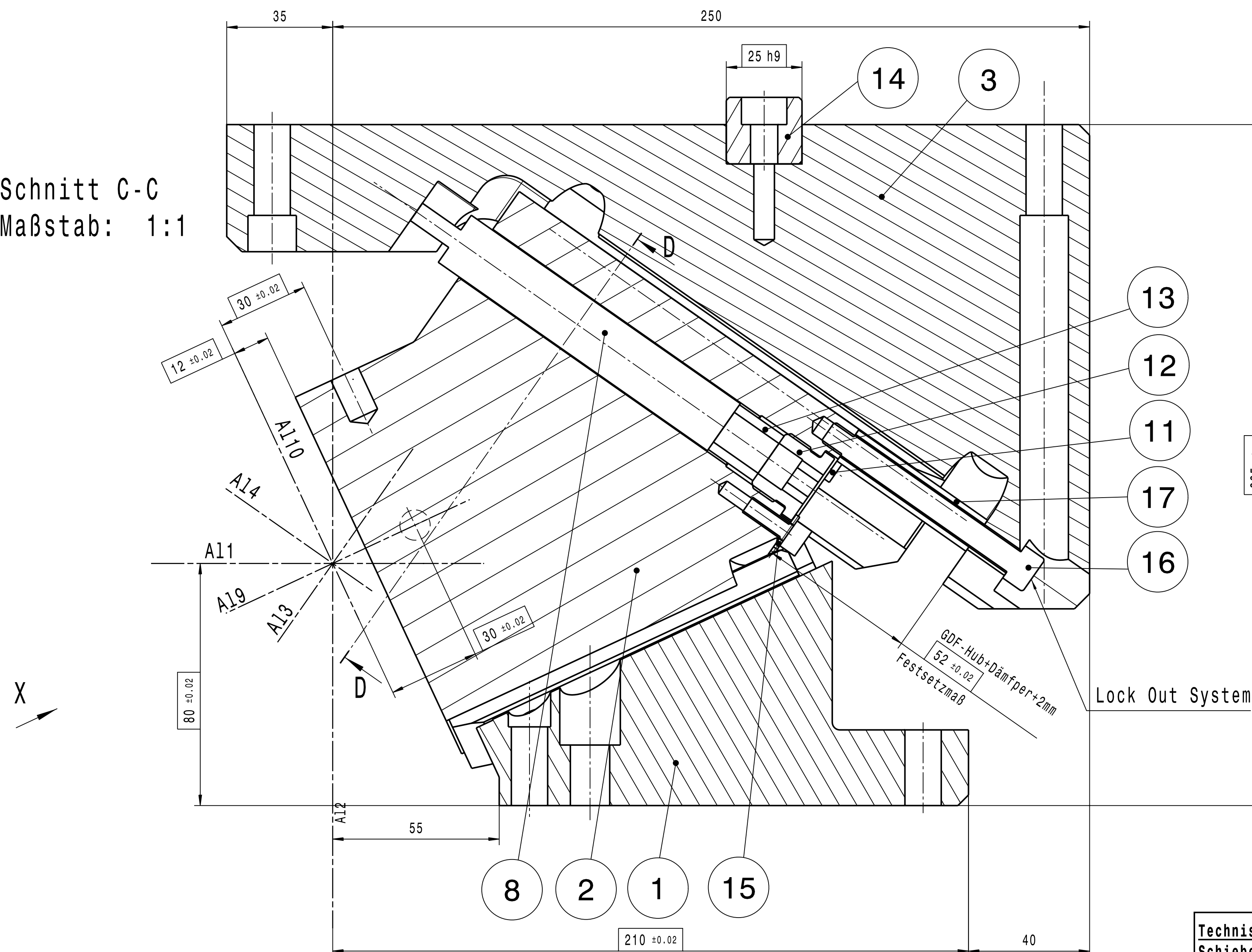


Arbeitsfläche  
Working Face

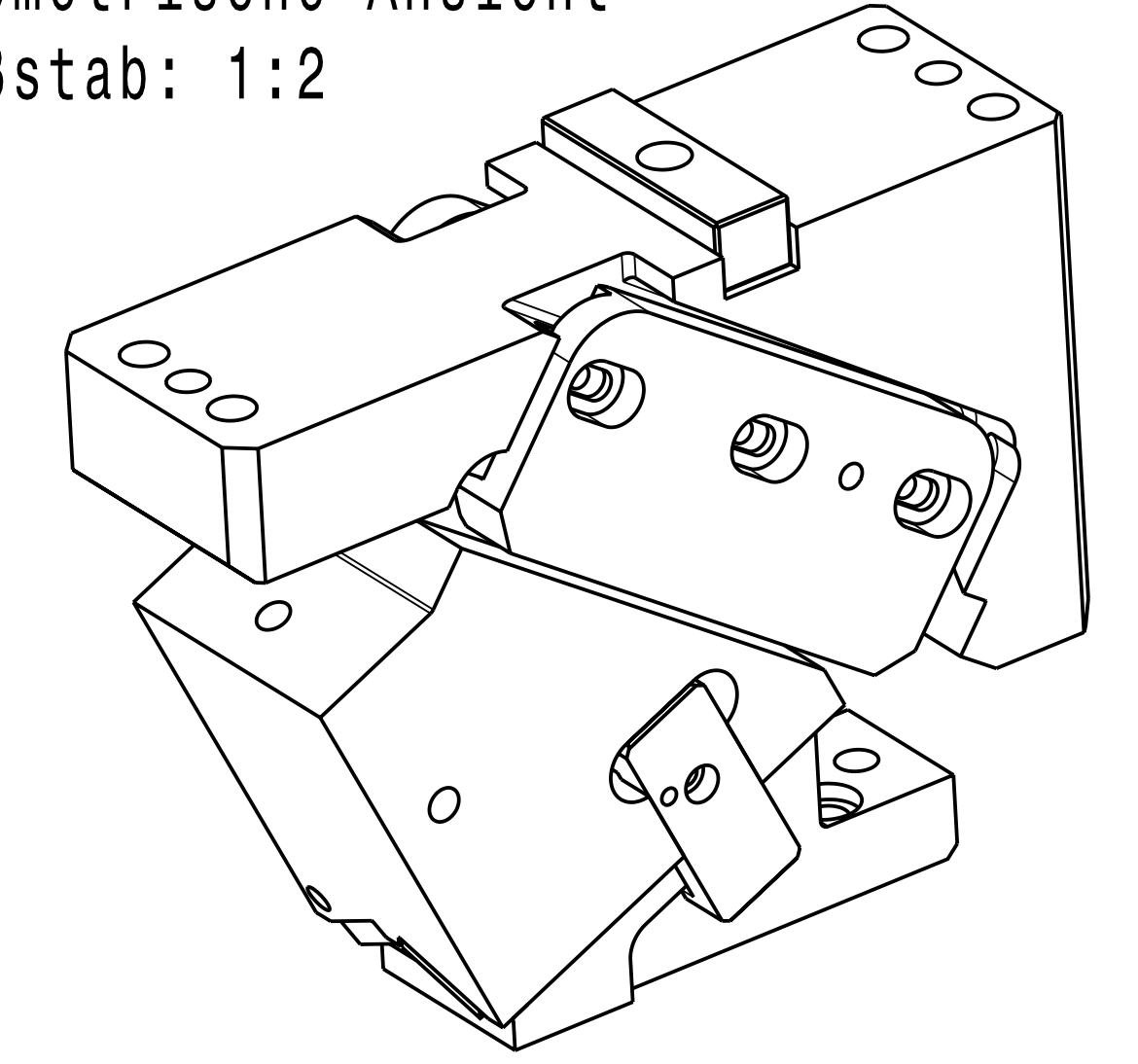
PLAN VIEW  
CAM BASE



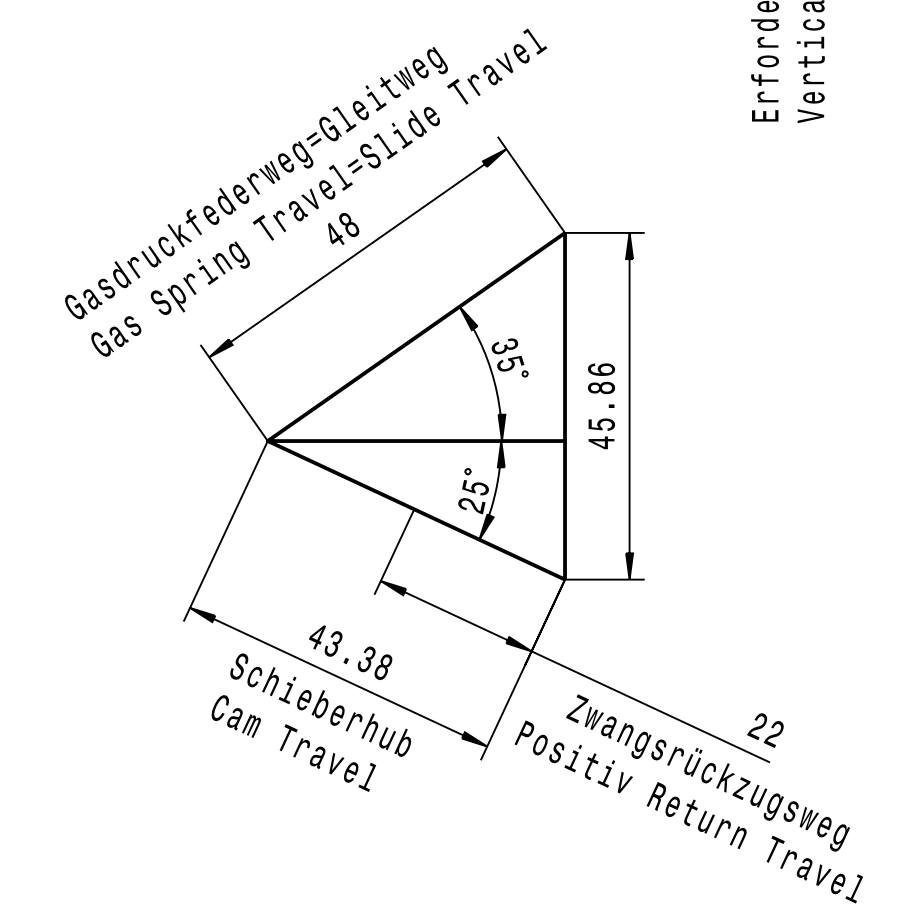
Schnitt C-C  
Maßstab: 1:1



Isometrische Ansicht  
Maßstab: 1:2



SCHIEBERDIAGRAMM  
CAM DIAGRAMM  
Maßstab 1:1



roh (Rz 100) (Rz 25) (Rz 6,3)

**Technische Daten / Specification:**  
 Schieberweg / Travel of Cam: 43,38mm  
 Arbeitsfläche / Working Face: 85x130mm  
 Abstreifkraft / Retractility (Standart): 1,1 kN  
 Abstreifkraft / Retractility (Enhanced): 7,5 kN

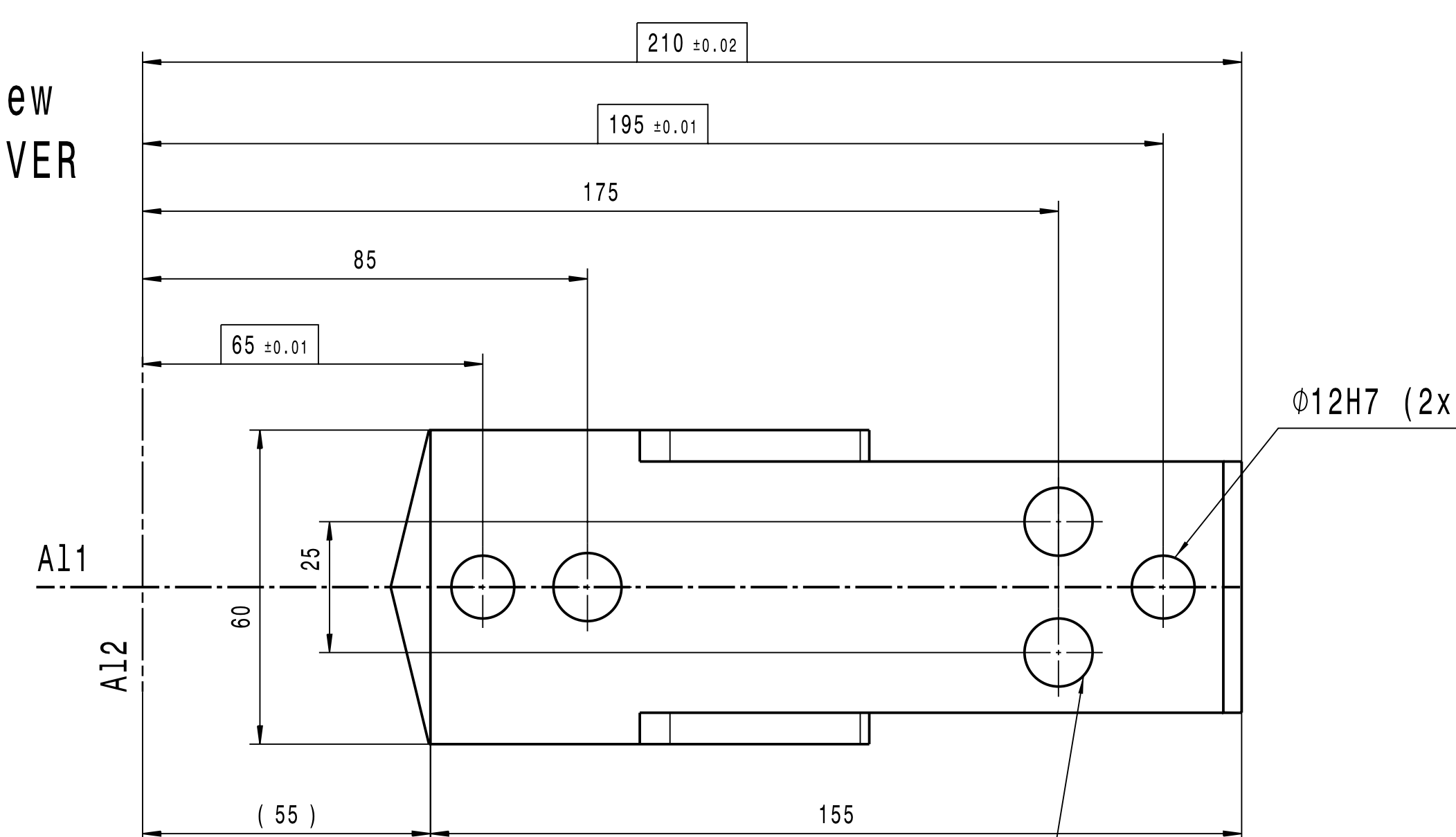
Attention!  
 Difference between BS and KS:  
 The sliding surfaces from slider  
 and driver (BS-OT) are not hardened

Component Parts: 23420 (KS-OT) 28025 (BS-OT)

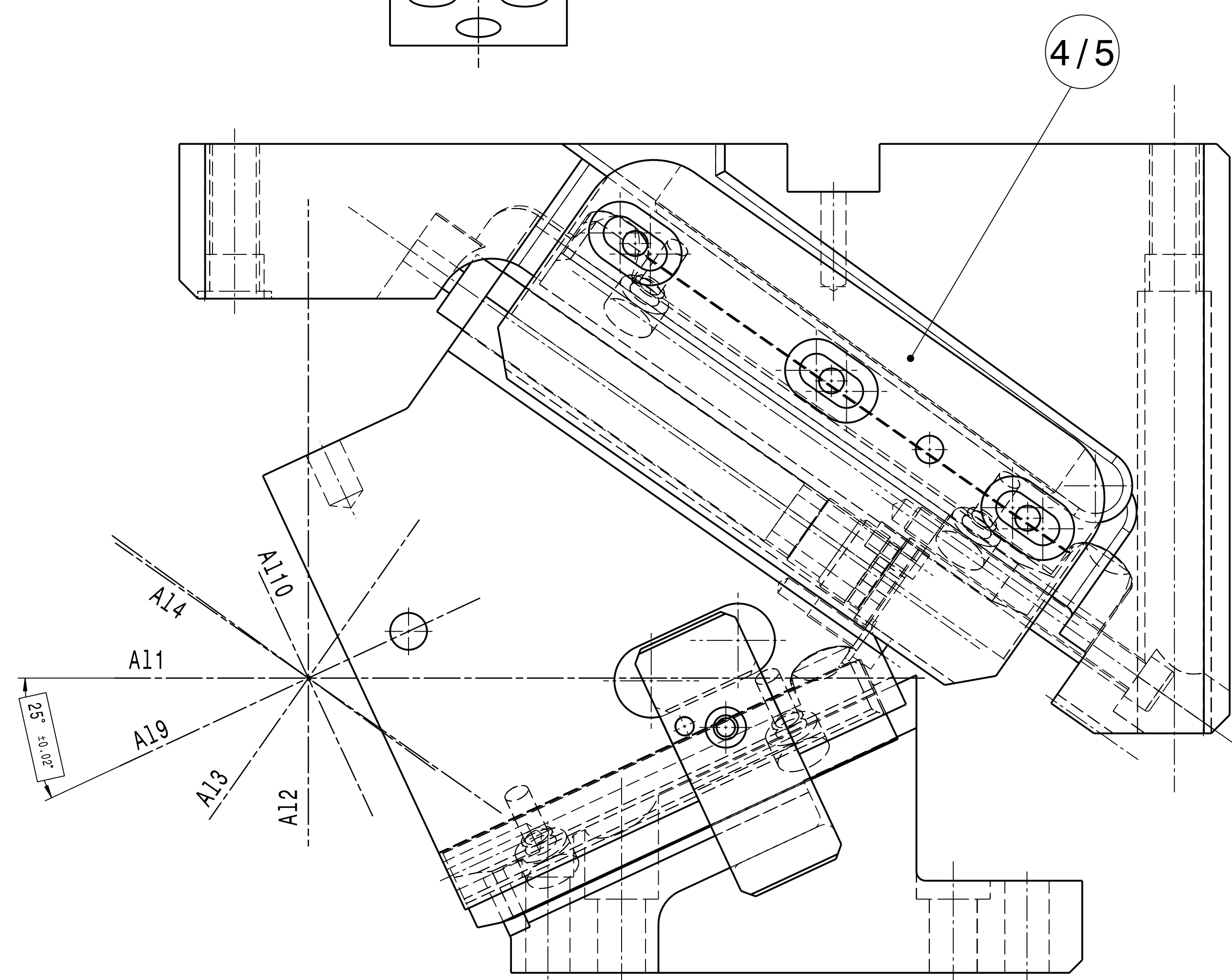
Pos.-No.	Anzahl	Bezeichnung	Material	Hersteller	Id.-Nr. (KS)	Id.-Nr. (BS)
1	1	Cam Driver(KS/BS-0T-85-25°)	1.7225 (Casting 103402 BS/KS-85-25°)	voestalpine	K103402	B103402
2	1	Cam Slider(KS/BS-0T-85-25°)	0.7070 (Casting 107472 BS/KS-85-10°-25°)	voestalpine	K103403	B103403
3	1	Cam Base(KS&BS-0T-85-25°)	0.7070 (Casting 103401 BS/KS-85-20°25°)	voestalpine	KB103404	KB103404
4	1	Side Plate (L)	WF 750/1A (165x75x22)	voestalpine	23136	23136
5	1	Side Plate (R)	WF 750/1A (165x75x22)	voestalpine	23137	23137
6	2	Wear Plate (A)	WF 750/1A (125x30x12)	voestalpine	18212	18212
7	2	Wear Plate (B)	WF 750/1A (160x25x12)	voestalpine	18209	18209
8	1	Gas Spring Ejector	C-090-063-sw-150(819 Hub 63 effectiv 48)	DADCO	101544	101544
9	1	Positive Return	1.7225 (74x30x16.5)	voestalpine	105465	105465
10	1	Positive Return	1.7225 (74x30x16.5)	voestalpine	105466	105466
11	2	Damping Element	PUR (Ø8x16)	voestalpine	102875	102875
12	1	Lock Screw	1.7225 M22x1.5 (Ø25x18)	voestalpine	105552	105552
13	1	Distance Tube	1.7225 (Ø18/12x18)	voestalpine	105572	105572
14	1	Fitting Key	1.0503.07 (80x25x22)	voestalpine	23390	23390
15	1	Lock Washer	DTN 125 (Ø6.4)	Standart Part	105553	105553
16	1	Lock Out Screw	DTN 912 M8x75	Standart Part	23696	23696
17	1	Lock Out Tube	1.0038 (S235JR) Ø12.5/9x52	voestalpine	23687	23687
18	-	-	-	-	-	-
19	-	-	-	-	-	-
20	-	-	-	-	-	-
21	-	-	-	-	-	-
22	-	-	-	-	-	-

voestalpine Giesserei Linz GmbH		Position:	Amount:	Material:	Sheet No.:
Date		Description:		Aerial Cam	
08		Date	Name	Description:	Ident-No.:
07				KS-OT 085-25°	23420
06		Bearbeitet		BS-OT 085-25°	28025
05		Gepüft			
04	8	2015-06-11	SCHWER	43,38 Stroke	
03	7	2012-06-19	RIESS	ISO 2768	Scale: 1:1
02	6	2011-08-23	RIESS	m	Drawing-Number: Assembly
01	5	2007-03-19	Font.		Index-No. 08
ZU	Modifikation	Date	Name	Dateiname: KS_BS_OT_0085_25_IND_08_23420_28025_HUB_43_38_2015_06_11_SCHWER	

Plan View  
CAM DRIVER



Vorderansicht  
Maßstab: 1:1



Screw connection  
with M12 (3x)