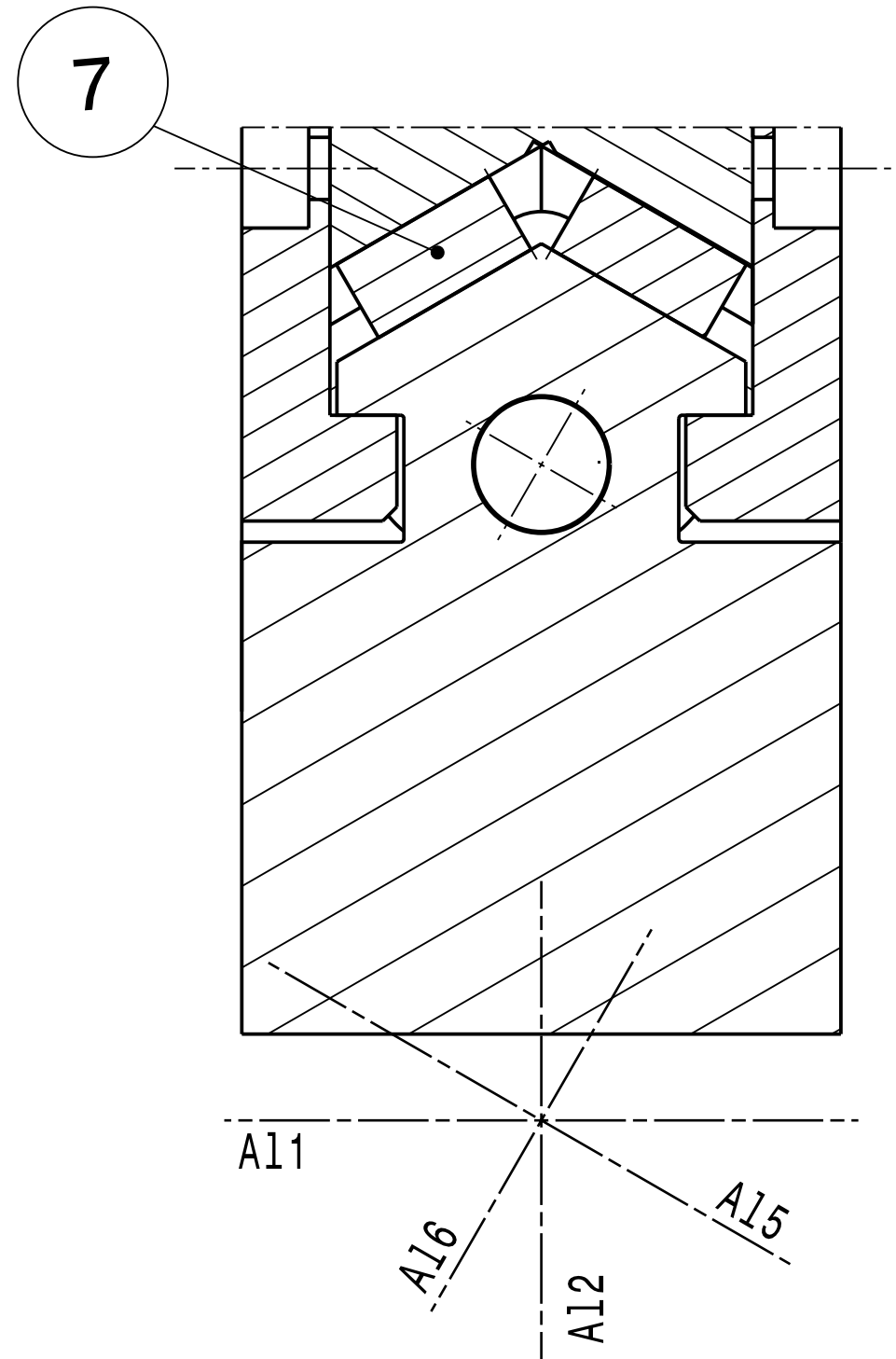
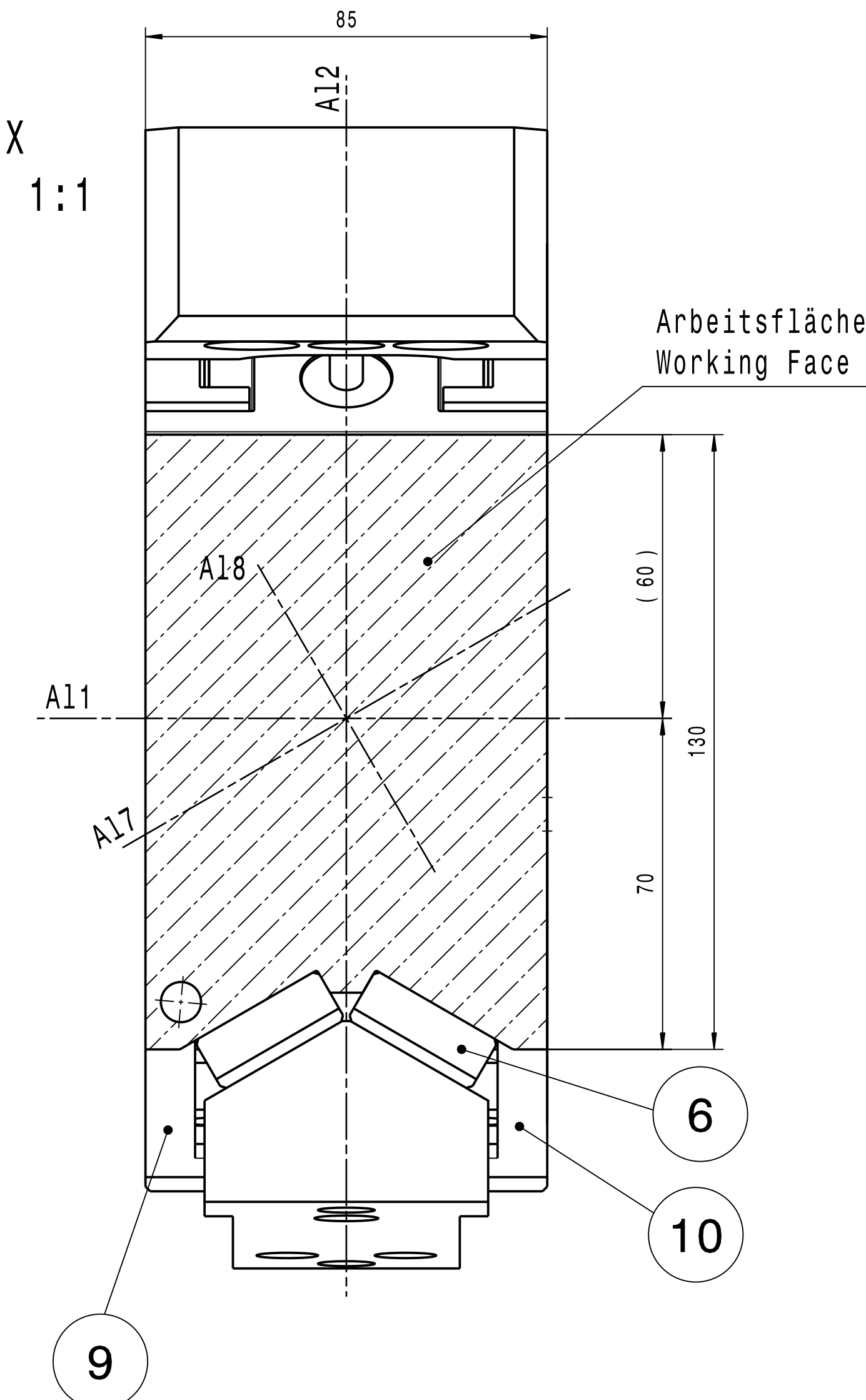


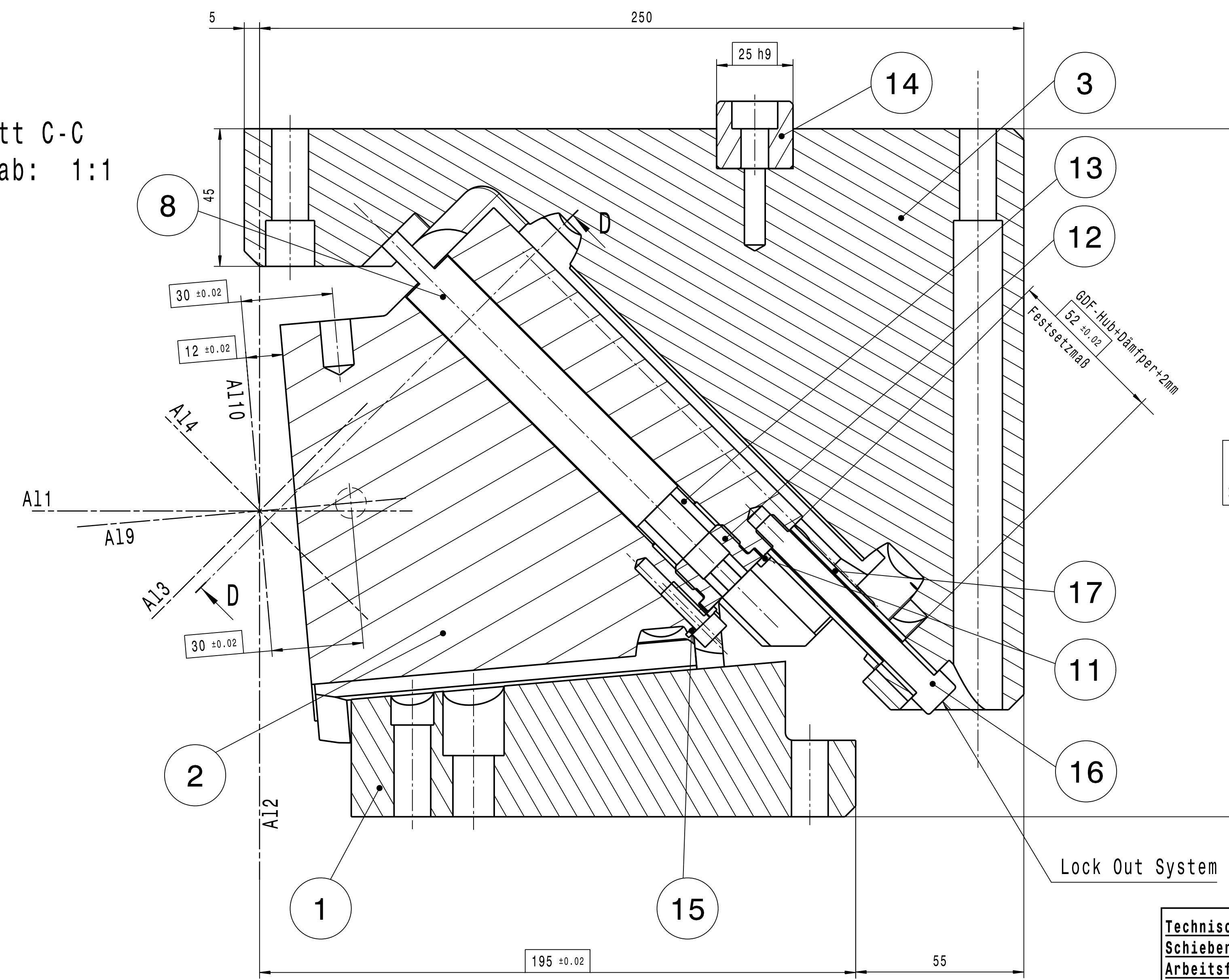
Schnitt D-D
Maßstab: 1:1



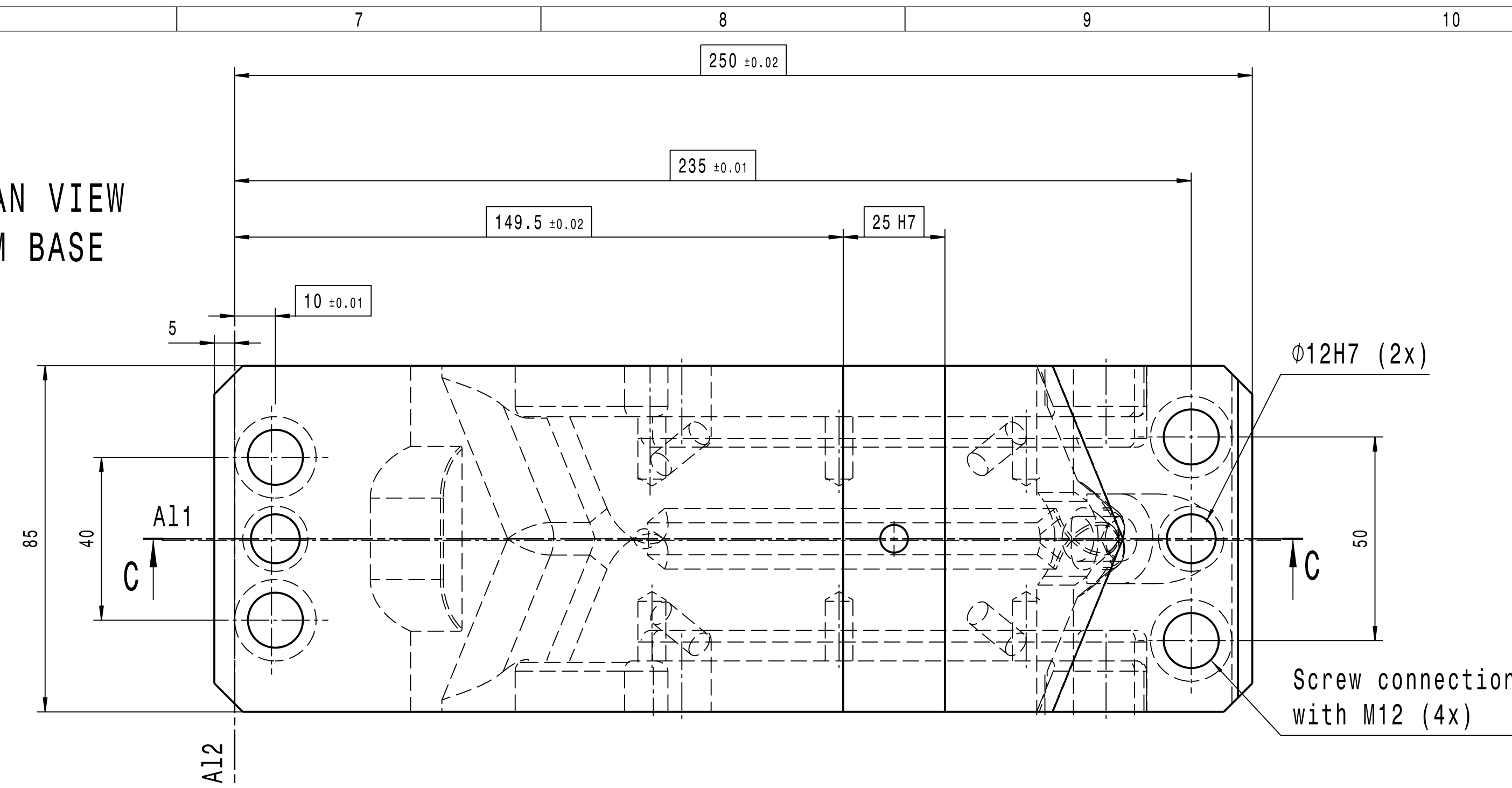
Ansicht X
Maßstab: 1:1



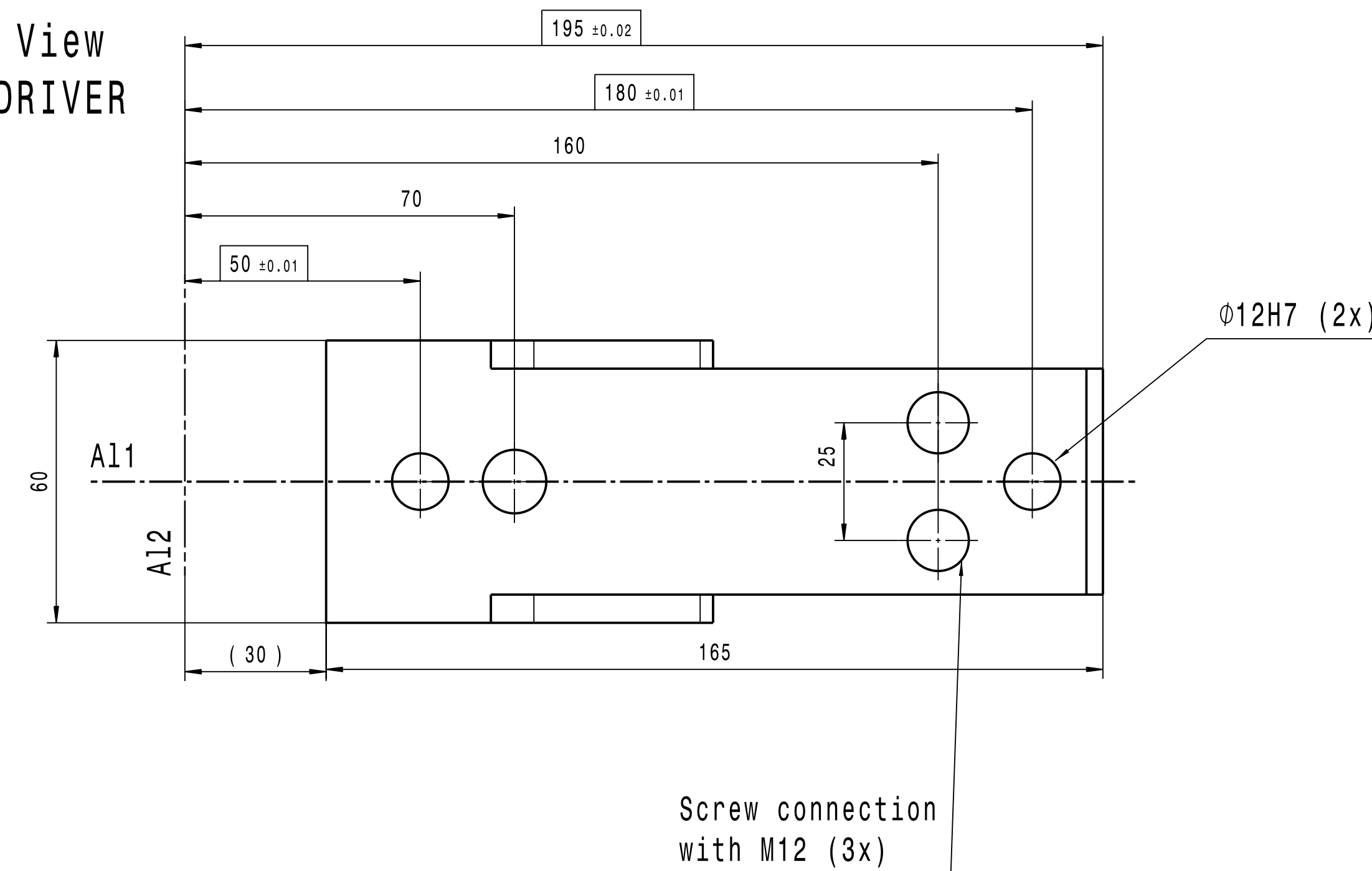
Schnitt C-C
Maßstab: 1:1



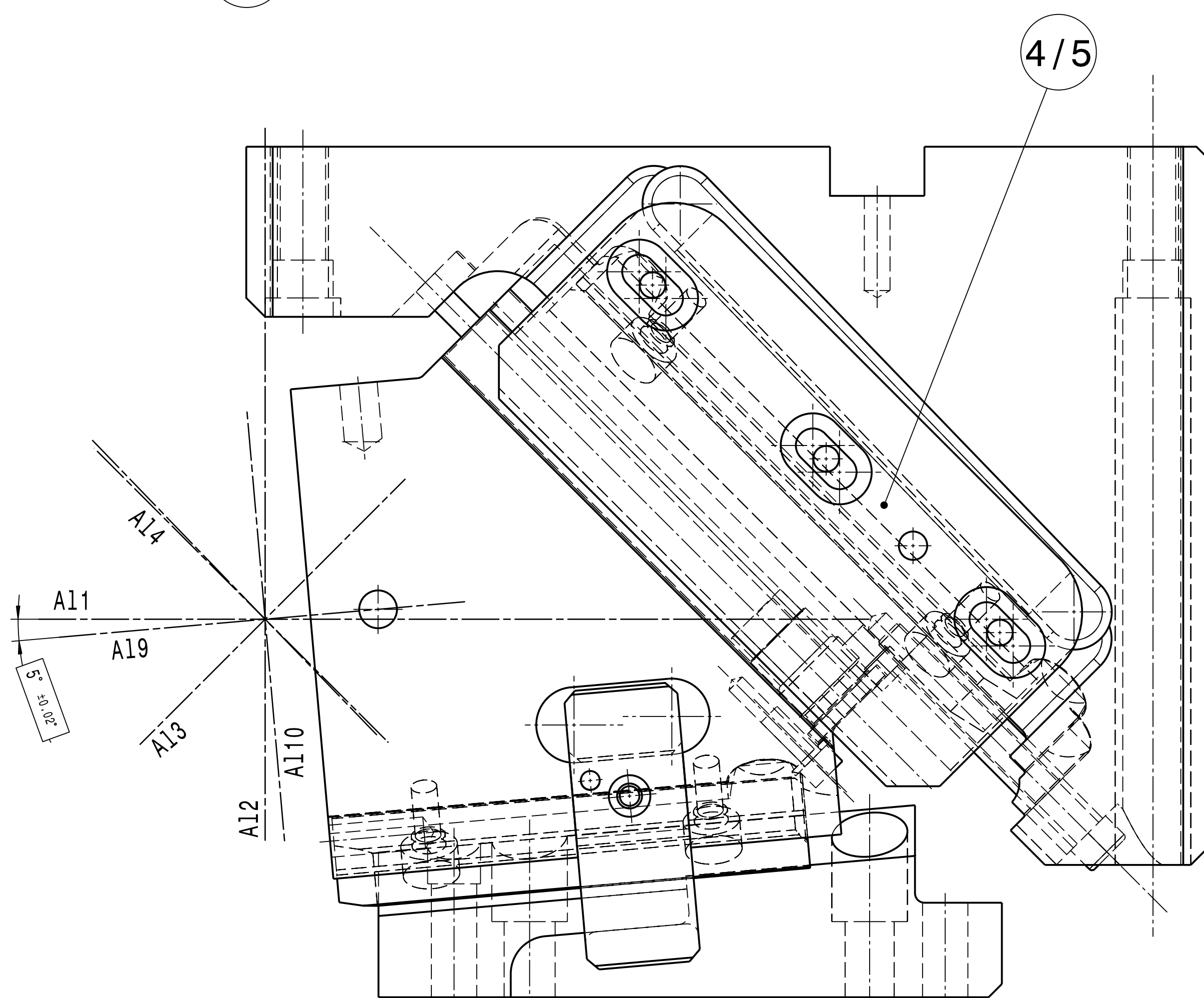
PLAN VIEW
CAM BASE



Plan View
CAM DRIVER



Vorderansicht
Maßstab: 1:1

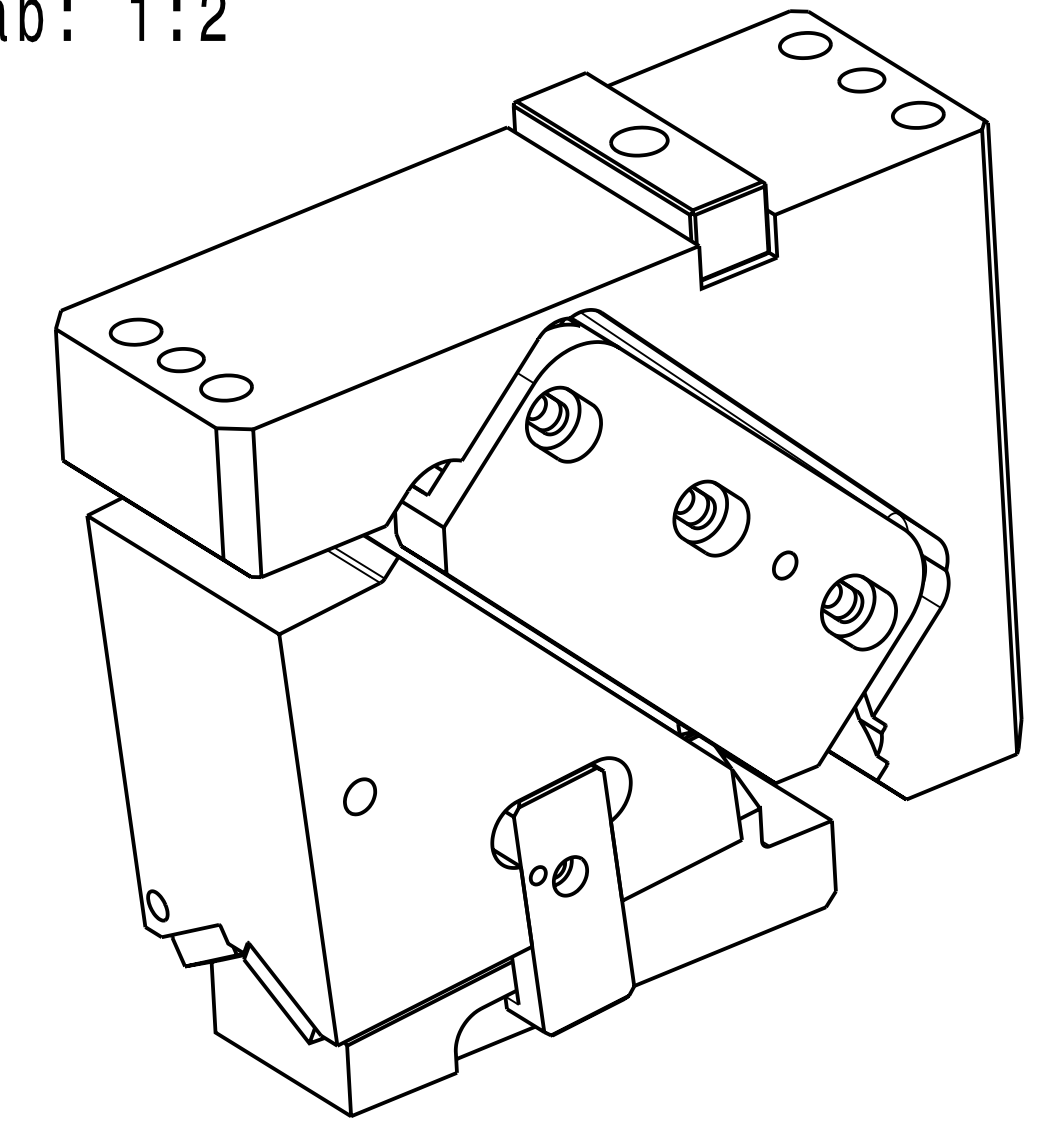


Fastening Screw Thread	Dimension
Fitting Key	1x M 8 x 20
Wear Plates Cam Base	4x M 8 x 12
Wear Plates Cam Slider	4x M 8 x 12
Side Plates	6x M 8 x 12
Positiv Return	2x M 6 x 12

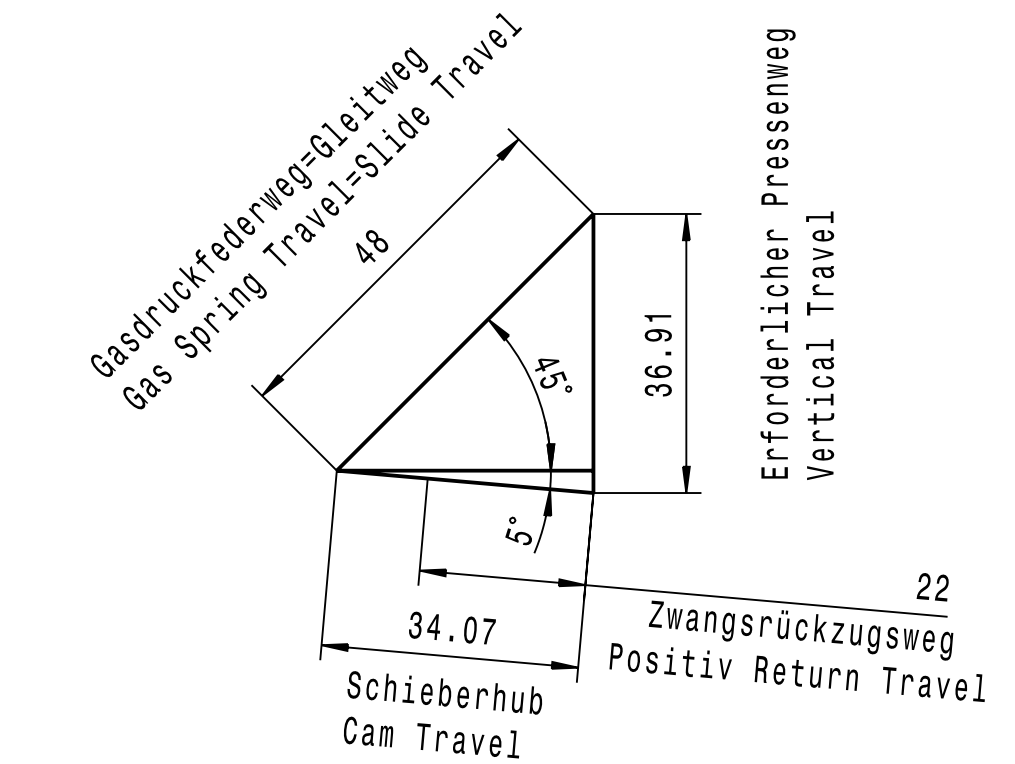
Diese Zeichnung ist geistiges Eigentum der voestalpine Giesserei Linz GmbH. Eine Weitergabe an Dritte ohne unsere Zustimmung ist nicht erlaubt. This drawing is intellectual property of voestalpine Giesserei Linz GmbH. A transfer to a third party without our agreement is not allowed.

Screw tolerance: ±0,2
Locating pin tolerance: ±0,01

Isometrische Ansicht
Maßstab: 1:2



SCHIEBERDIAGRAMM
CAM DIAGRAM
Maßstab 1:1



roh (Rz 100) (Rz 25) (Rz 6,3)

Technische Daten / Specification:
Schieberweg / Travel of Cam: 34,07mm
Arbeitsfläche / Working Face: 85x130mm
Abstreifkraft / Retractility (Standard): 0,9 kN
Abstreifkraft / Retractility (Enhanced): 5,9 kN

Attention!
Difference between BS and KS:
The sliding surfaces from slider and driver (BS-OT) are not hardened

Component Parts: 23416 (KS-OT)		28021 (BS-OT)				
Pos.-No.	Anzahl	Bezeichnung	Material	Hersteller	Id.-Nr. (KS)	Id.-Nr. (BS)
1	1	Cam Driver (KS/BS-OT-85-5°)	1.7225 (Casting 103390 BS/KS-85-5°)	voestalpine	K103390	B103390
2	1	Cam Slider (KS/BS-OT-85-5°)	0.7070 (Casting 107471 BS/KS-85-0°-5°)	voestalpine	K103391	B103391
3	1	Cam Base (KS/BS-OT-85-5°)	0.7070 (Casting 103392 BS/KS-85-5°10°)	voestalpine	KB103392	KB103392
4	1	Side Plate (L)	WF 750/1A (165x75x22)	voestalpine	23136	23136
5	1	Side Plate (R)	WF 750/1A (165x75x22)	voestalpine	23137	23137
6	2	Wear Plate (A)	WF 750/1A (125x30x12)	voestalpine	18212	18212
7	2	Wear Plate (B)	WF 750/1A (160x25x12)	voestalpine	18209	18209
8	1	Gas Spring Ejector	C-090-063-sw-150 (Hub 63 effektiv 48)	DADCO	101544	101544
9	1	Positive Return	1.7225 (74x30x16,5)	voestalpine	105465	105465
10	1	Positive Return	1.7225 (74x30x16,5)	voestalpine	105466	105466
11	2	Damping Element	PUR (Ø8x16)	voestalpine	102875	102875
12	1	Lock Screw	1.7225 M22x1,5 (Ø25x18)	voestalpine	105552	105552
13	1	Distance Tube	1.7225 (Ø18/12x18)	voestalpine	105572	105572
14	1	Fitting Key	1.0503.07 (80x25x22)	voestalpine	23390	23390
15	1	Lock Washer	DIN 125 (Ø6,4)	Standart Part	105553	105553
16	1	Lock Out Screw	DIN 912 M8x75	Standart Part	23696	23696
17	1	Lock Out Tube	1.0038 (S235JR) Ø12,5/9x52	voestalpine	23687	23687
18	-	-	-	-	-	-
19	-	-	-	-	-	-
20	-	-	-	-	-	-
21	-	-	-	-	-	-
22	-	-	-	-	-	-

voestalpine Giesserei Linz GmbH		Position:	Amount:	Material:
Date		Description: Aerial Cam		
Name		Sheet-No.:		
Bearbeitet		KS-OT 085-5°		
Geprüft		23416		
Norm		BS-OT 085-5°		
2015-08-05 SCHWER		34,0 Stroke		
2012-06-18 REISS		Drawing-Number:		
2011-08-05 REISS		ISO 2768		
2008-01-02 Font.		m		
Date		Scale: 1:1		
Dateiname: KS_BS_OT_0085_05_IND_08_23416_28021_HUB_34_0_2015_06_05_SCHWER		Index-No. 08		