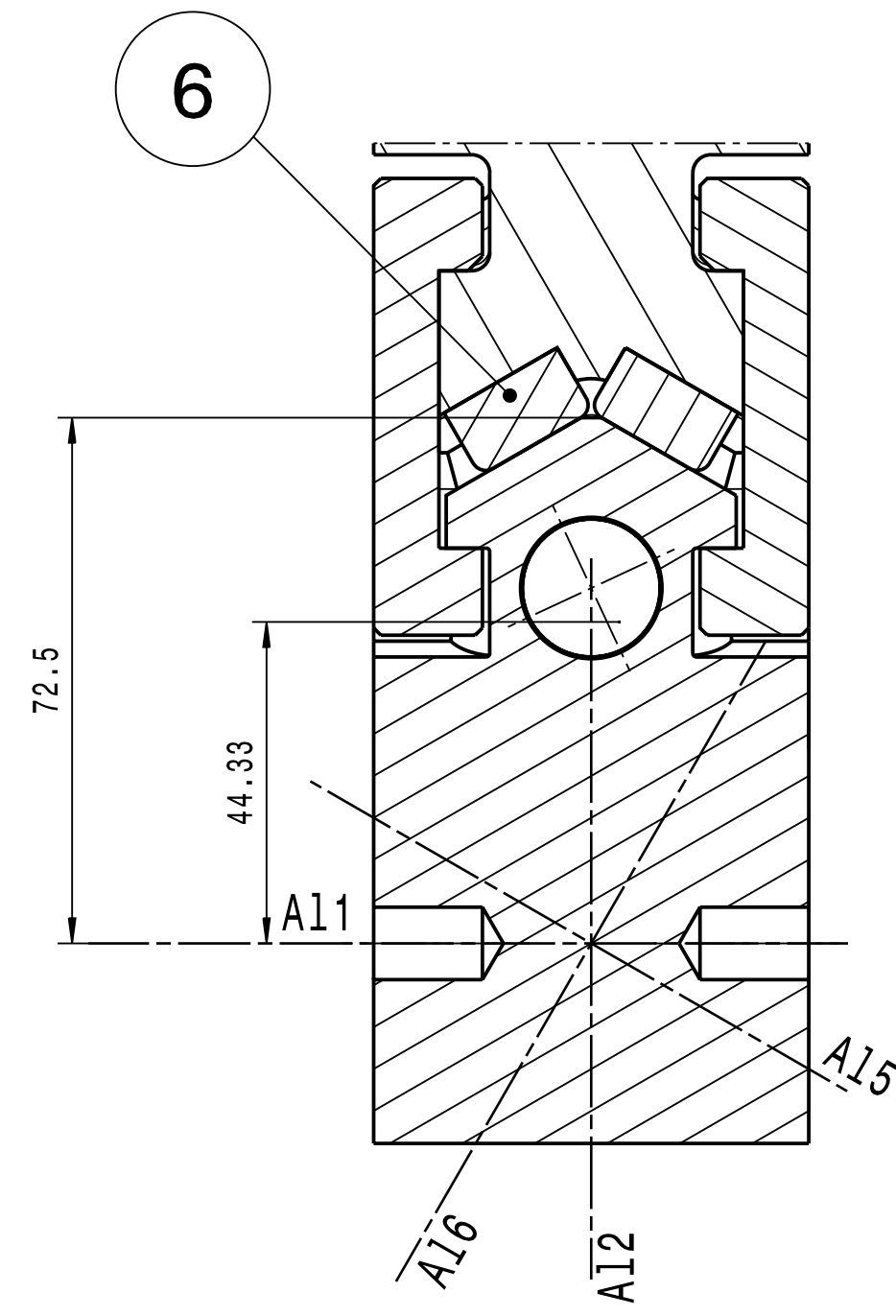
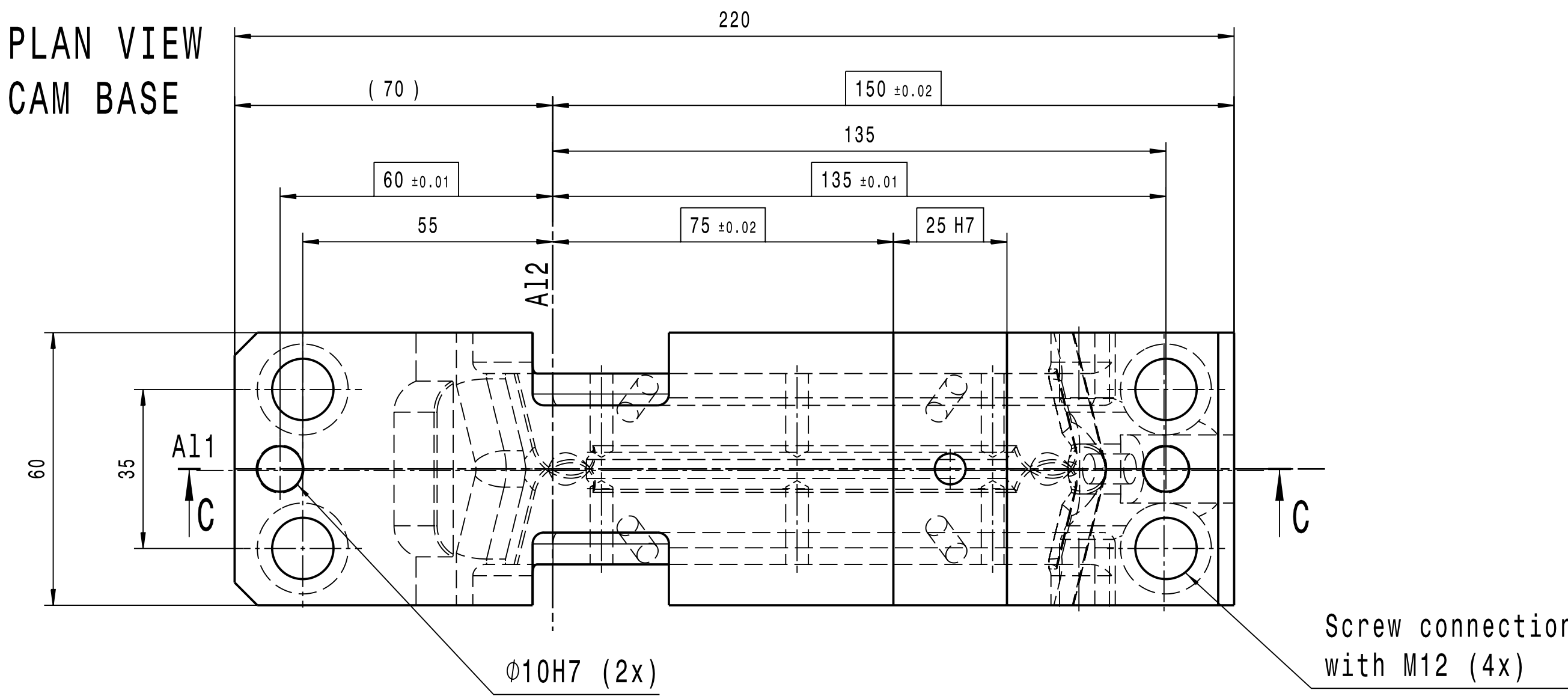


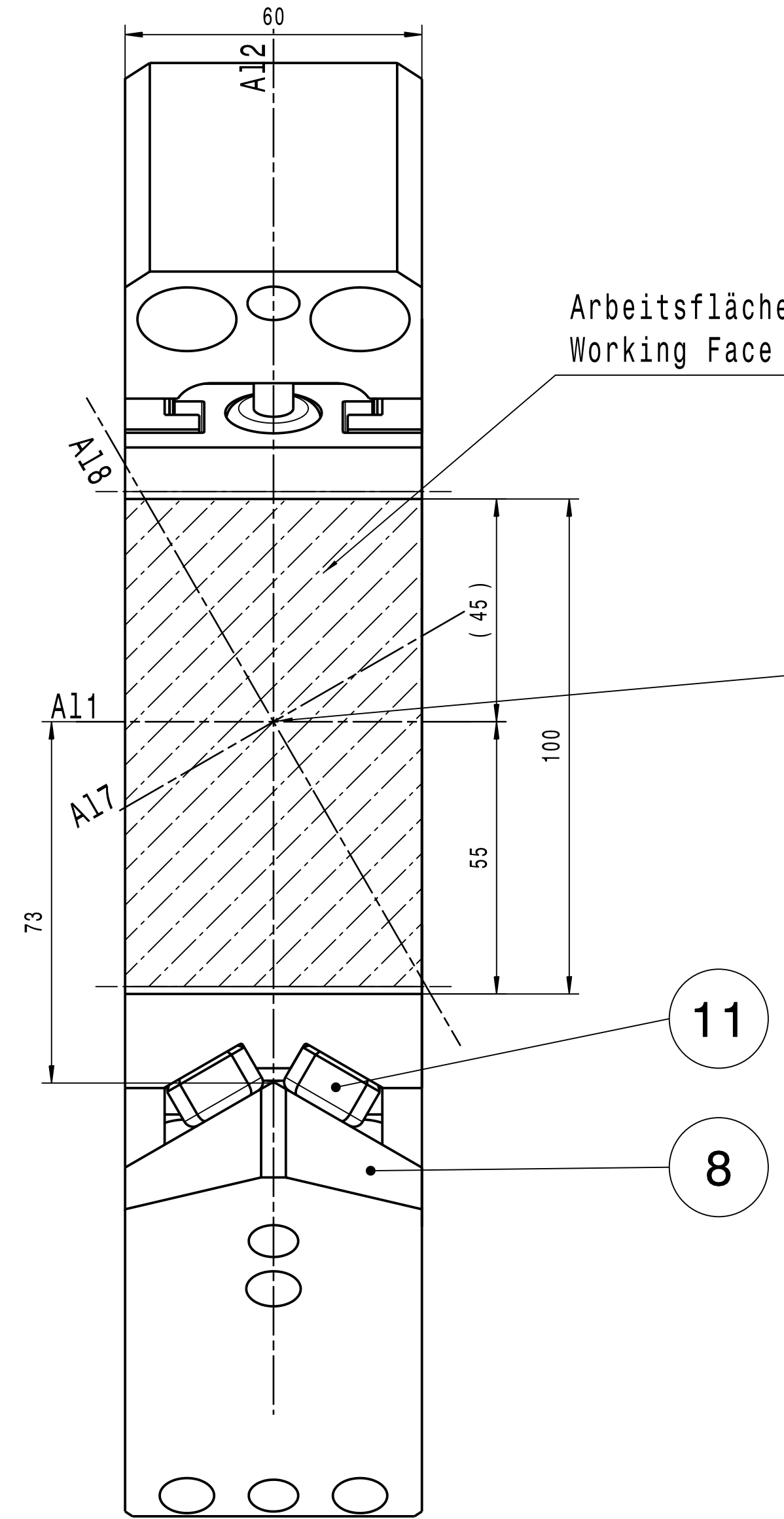
Schnitt D-D
Maßstab: 1:1



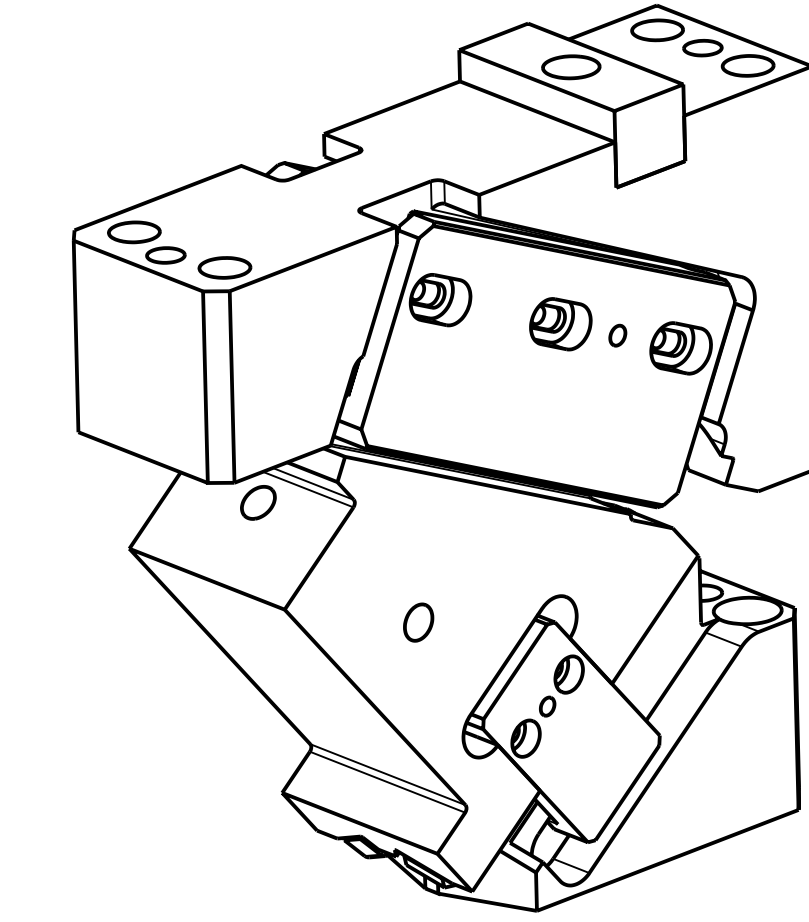
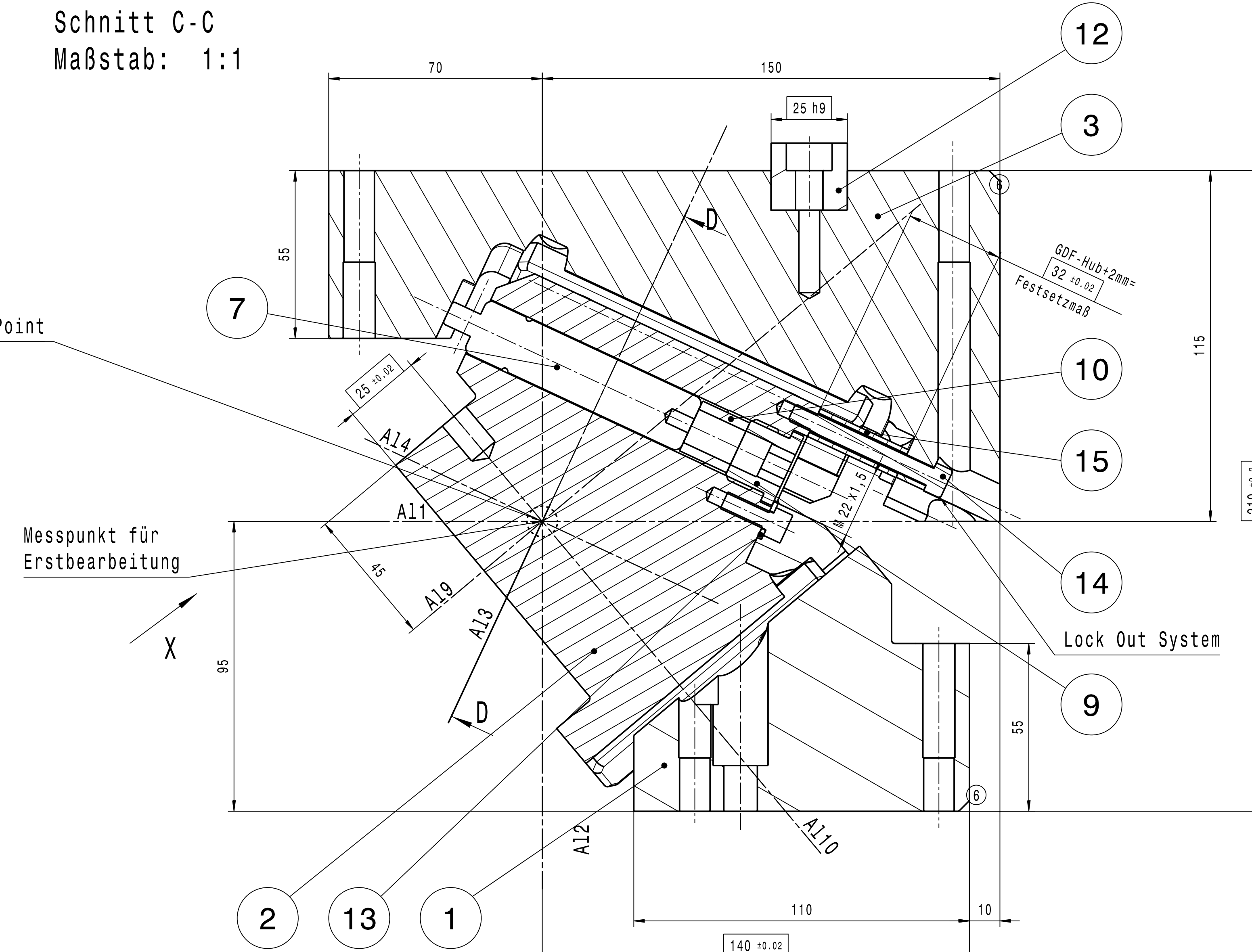
PLAN VIEW
CAM BASE



Ansicht X
Maßstab: 1:1

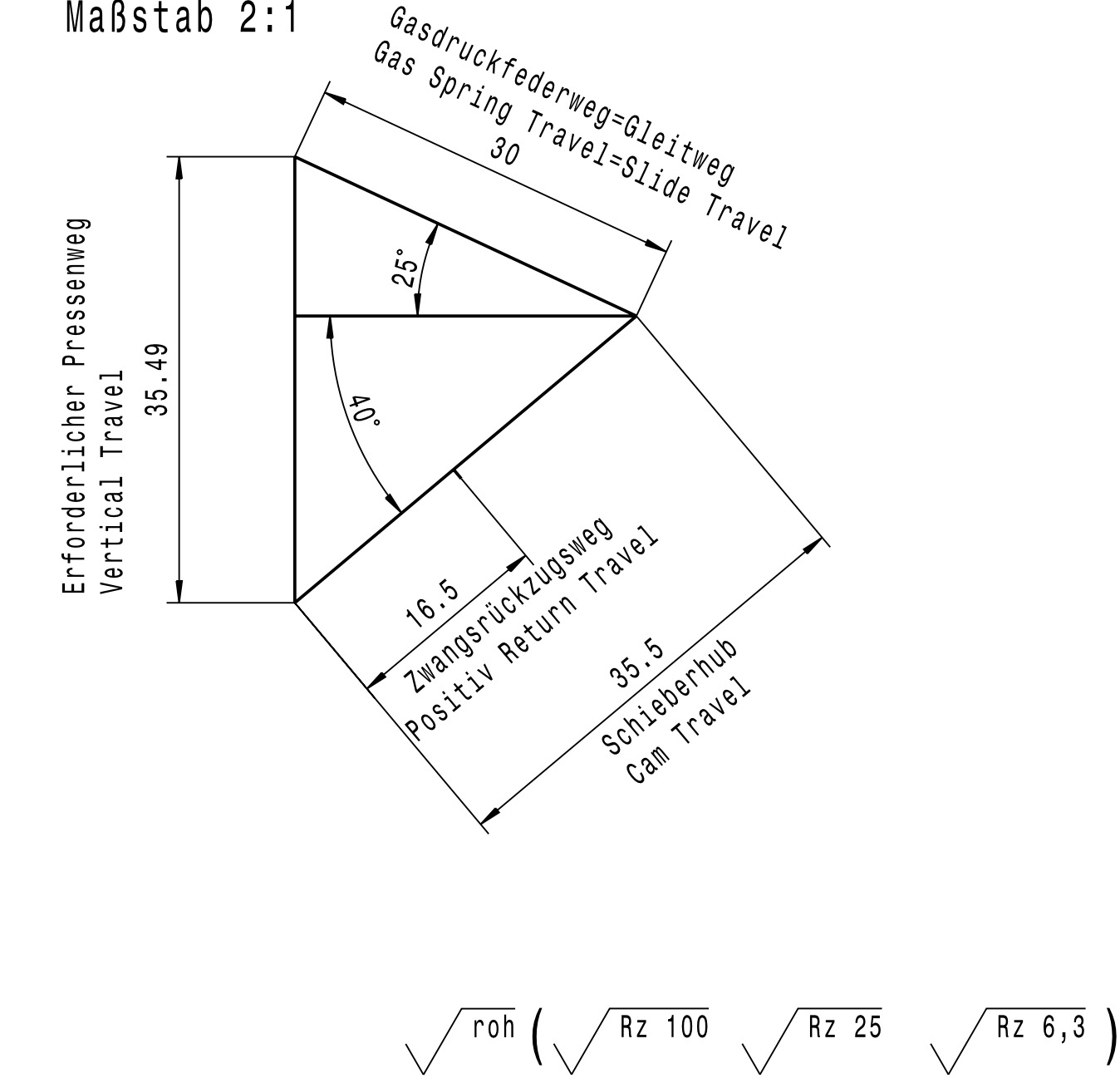


Schnitt C-C
Maßstab: 1:1

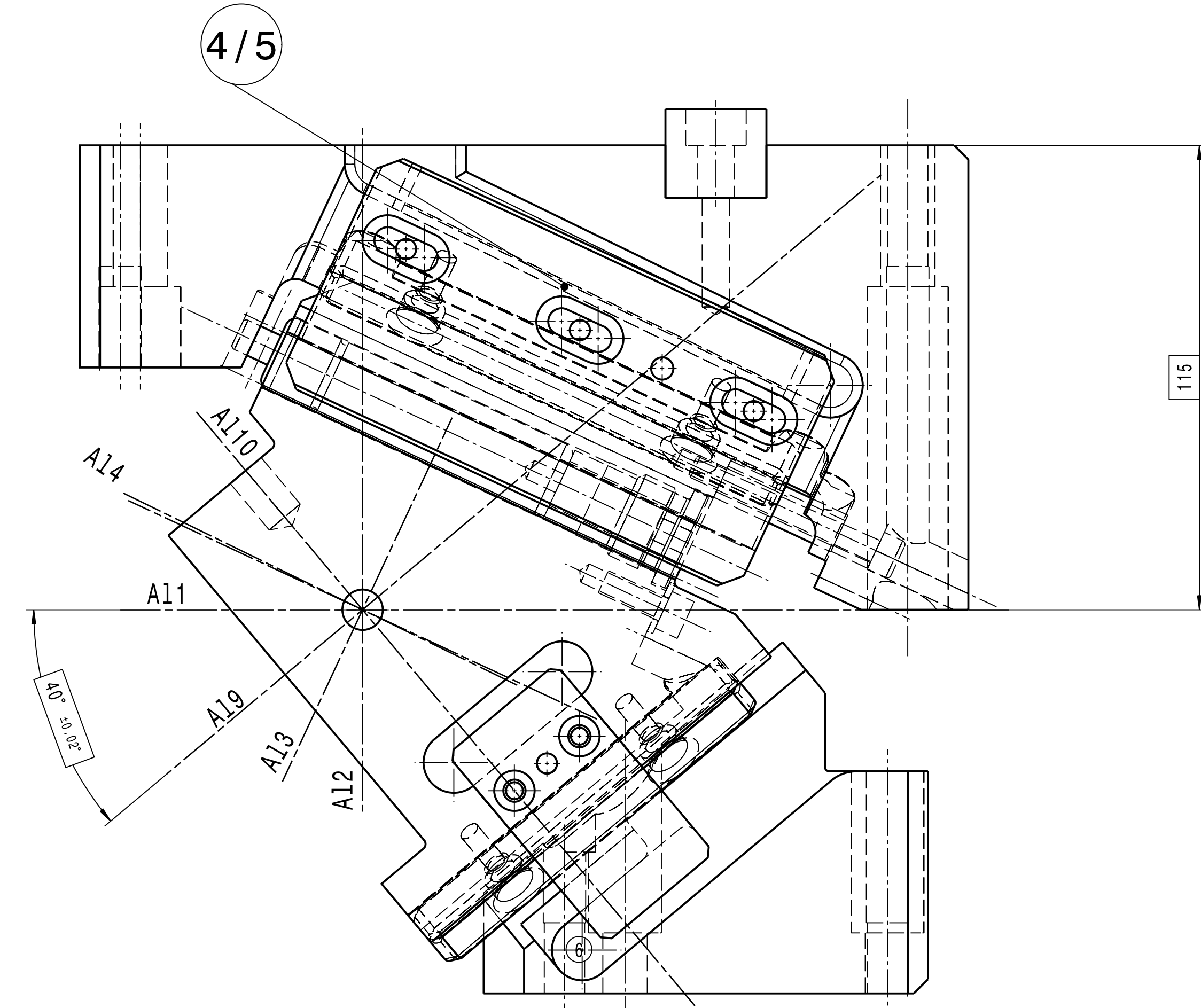


Isometrische Ansicht
Maßstab: 1:2

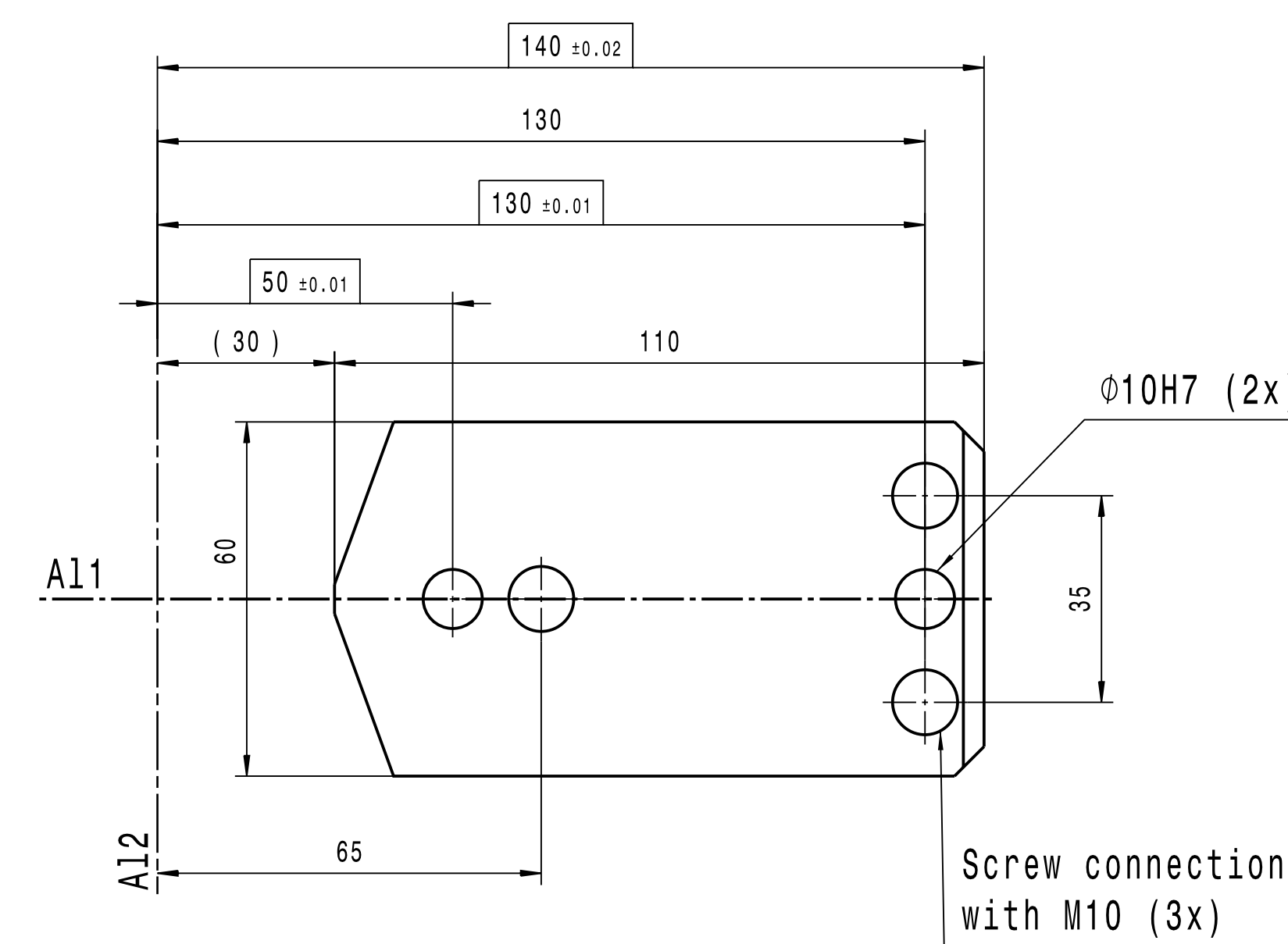
SCHIEBERDIAGRAMM
CAM DIAGRAMM
Maßstab 2:1



Vorderansicht
Maßstab: 1:1



Plan View
CAM DRIVER



Technische Daten / Specification:
 Schieberweg / Travel of Cam: 35,5mm
 Arbeitsfläche / Working Face: 60x100mm
 Abstreifkraft / Retractivity (Standard): 1,4 kN
 Abstreifkraft / Retractivity (Enhanced): 4,2 kN

Attention!
 Difference between BS and KS:
 The sliding surfaces from slider and driver (BS-OT) are not hardened

Component Parts: 25108 (KS-OT)		28008 (BS-OT)				
Pos.-No.	Anzahl	Bezeichnung	Material	Hersteller	Id.-Nr.(KS)	Id.-Nr.(BS)
1	1	Cam Driver(KS/BS-OT-60-40°)	1.7225 (Casting 105563 BS/KS-60-40°)	voestalpine	K105563	B105563
2	1	Cam Slider(KS/BS-OT-60-40°)	0.7070 (Casting 107469 BS/KS-60-35°-50°60°)	voestalpine	K103363	B103363
3	1	Cam Base(KS/BS-OT-60-40°)	0.7070 (Casting 103364 BS/KS-60-40°45°)	voestalpine	KB103364	KB103364
4	1	Side Plate (L)	WF 750/1A (125x63x15)	voestalpine	23141	23141
5	1	Side Plate (R)	WF 750/1A (125x63x15)	voestalpine	23142	23142
6	2	Wear Plate (A)	WF 750/1A (125x18x10)	voestalpine	17198	17198
7	1	Gas Spring Ejector	C-090-038-sw (Ø19 Hub 38 effectiv 30)	DADCO	101542	101542
8	2	Positive Return	1.7225 (60x35x13)	voestalpine	105550	105550
9	1	Lock Screw	1.7225 M22x1.5 (Ø25x18)	voestalpine	105552	105552
10	1	Distance Tube	1.7225 (Ø18/12x17)	voestalpine	105554	105554
11	2	Wear Plate (B)	WF 750/1A (100x18x10)	voestalpine	17201	17201
12	1	Fitting Key	1.0503.07 (22x25x60)	voestalpine	23378	23378
13	1	Lock Washer	DIN 125 (Ø6.4)	Standard Part	105553	105553
14	1	Lock Out Screw	DIN 912 M6x50	Standard Part	23690	23690
15	1	Lock Out Tube	1.0038 (S235JR) Ø10/7x32	voestalpine	23691	23691
16	-	-	-	-	-	-
17	-	-	-	-	-	-
18	-	-	-	-	-	-
19	-	-	-	-	-	-
20	-	-	-	-	-	-
21	-	-	-	-	-	-
22	-	-	-	-	-	-

voestalpine Giesserei Linz GmbH				Position:	Amount:	Material:
Date				Description: Aerial Cam		
Name				KS-OT 060-40°		
Date				BS-OT 060-40°		
Name				35,5 Stroke		
Date				Drawing-Number:		
Name				25108		
Date				28008		
Name				Scale: 1:1		
Date				Index-No. 07		
Name				Drawing-Number: Assembly		
Date				Zu: KS_BS_OT_060_40_IND_07_25108_28008_HUB_35,5_2015_08_26_SCHWER		

Diese Zeichnung ist geistiges Eigentum der voestalpine Giesserei Linz GmbH. Eine Weitergabe an Dritte ohne unsere Zustimmung ist nicht erlaubt. This drawing is intellectual property of voestalpine Giesserei Linz GmbH. A transfer to a third party without our agreement is not allowed.

Screw tolerance: ±0,2
Locating pin tolerance: ±0,01