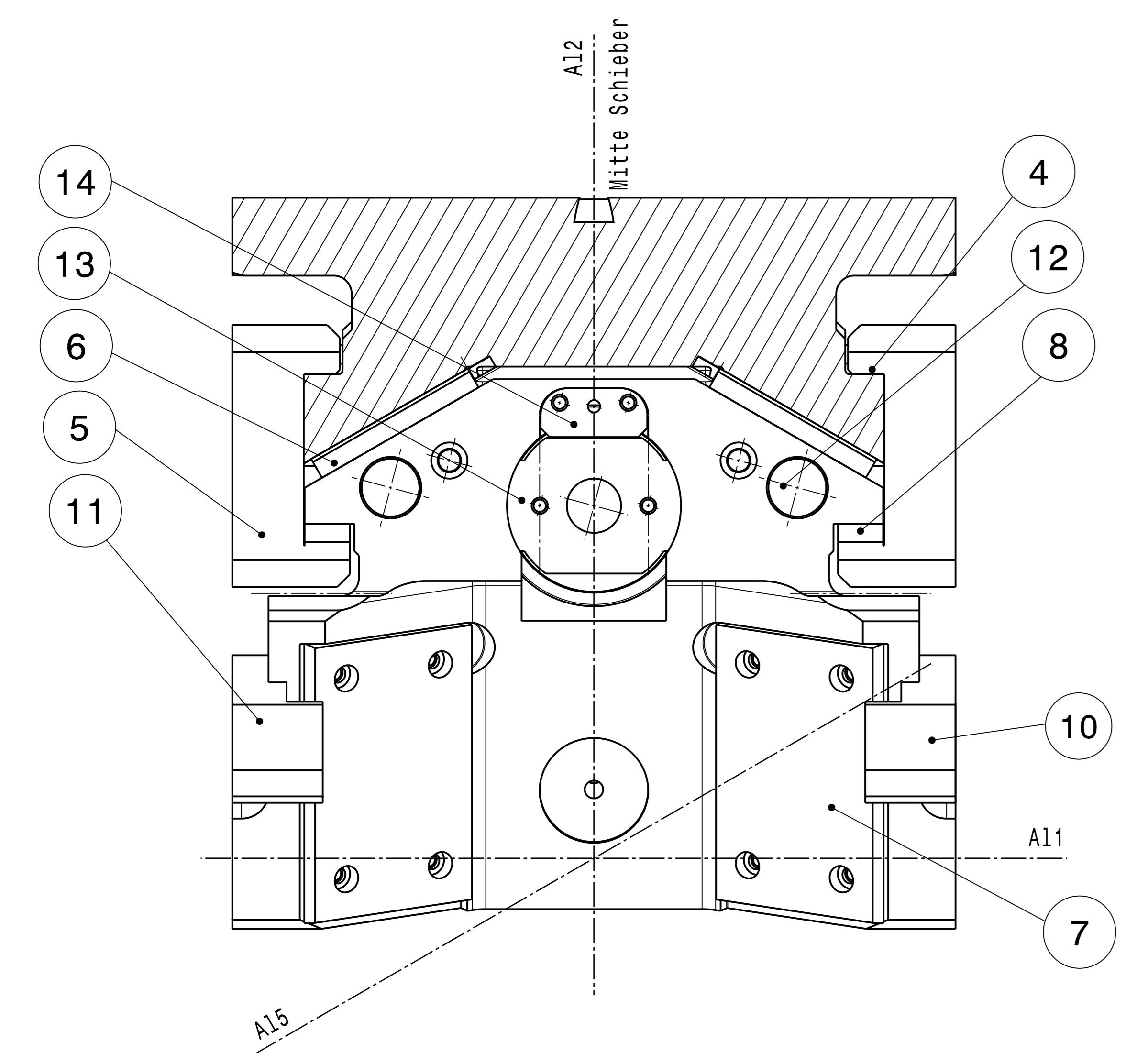
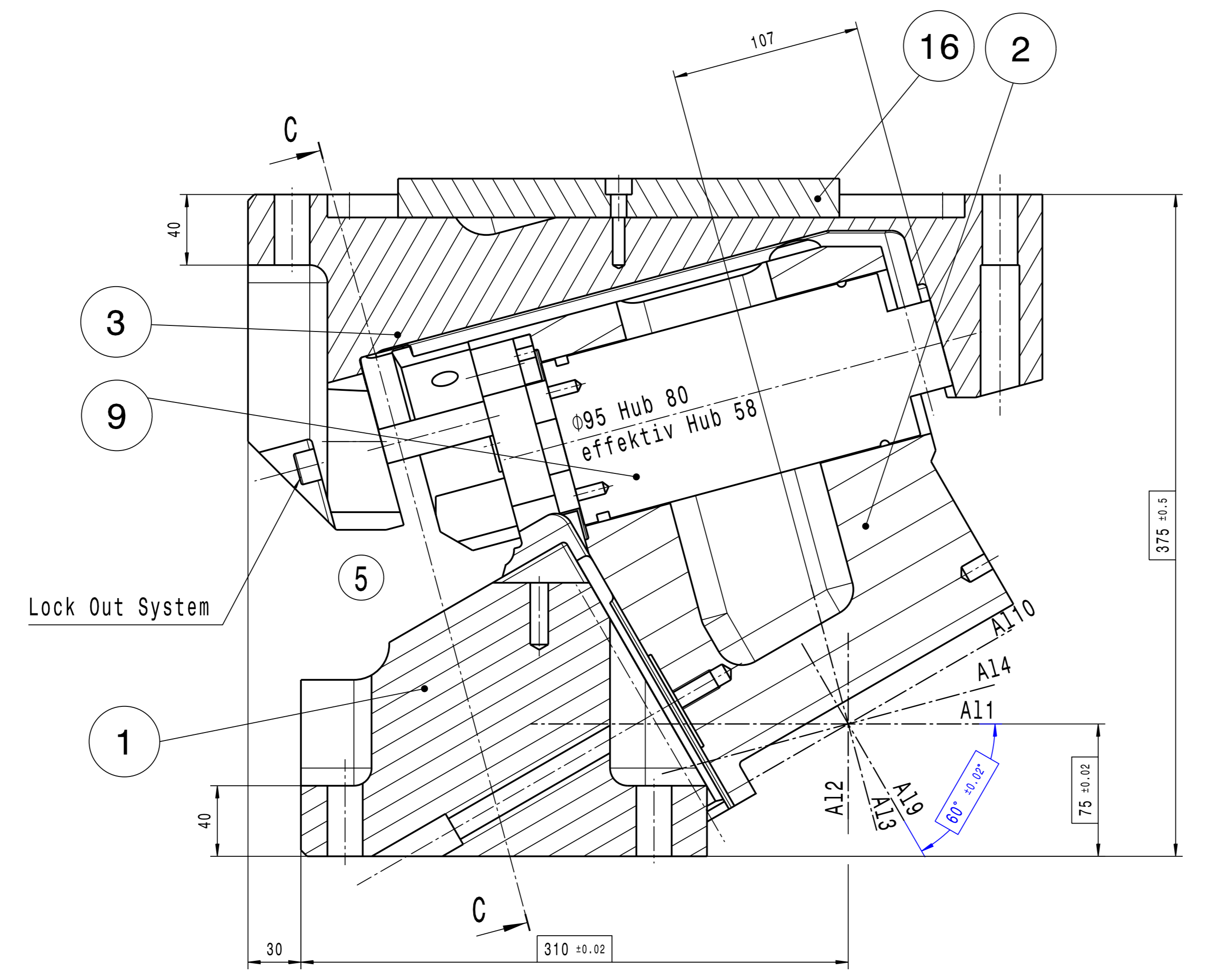


Fastening Screw Thread	Dimension	Diese Zeichnung ist geistiges Eigentum der voestalpine Giesserei Linz GmbH. Eine Weitergabe an Dritte ohne unsere Zustimmung ist nicht erlaubt. This drawing is intellectual property of voestalpine Giesserei Linz GmbH. A transfer to a third party without our agreement is not allowed.
Fitting Key	2 x M8 x 22	
Slide Plate	6 x M16 x27	
Wear Plate - Cam Base	8 x M8 x 22	
Wear Plate - Cam Slider	8 x M8 x 22	
Positiv Return	2 x M10 x 25	Screw tolerance: ±0,2 Locating pin tolerance: ±0,01

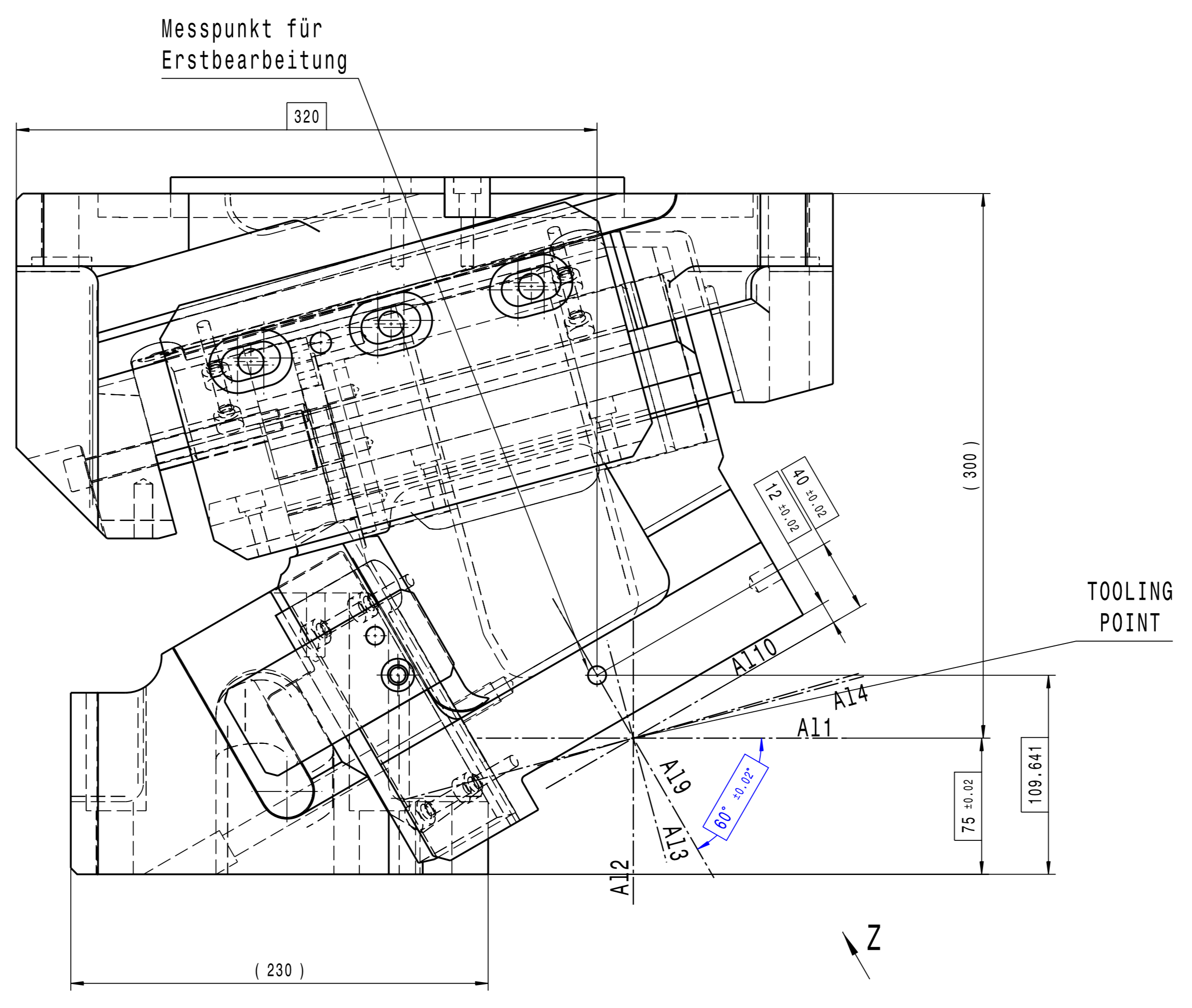
Schnitt C-C



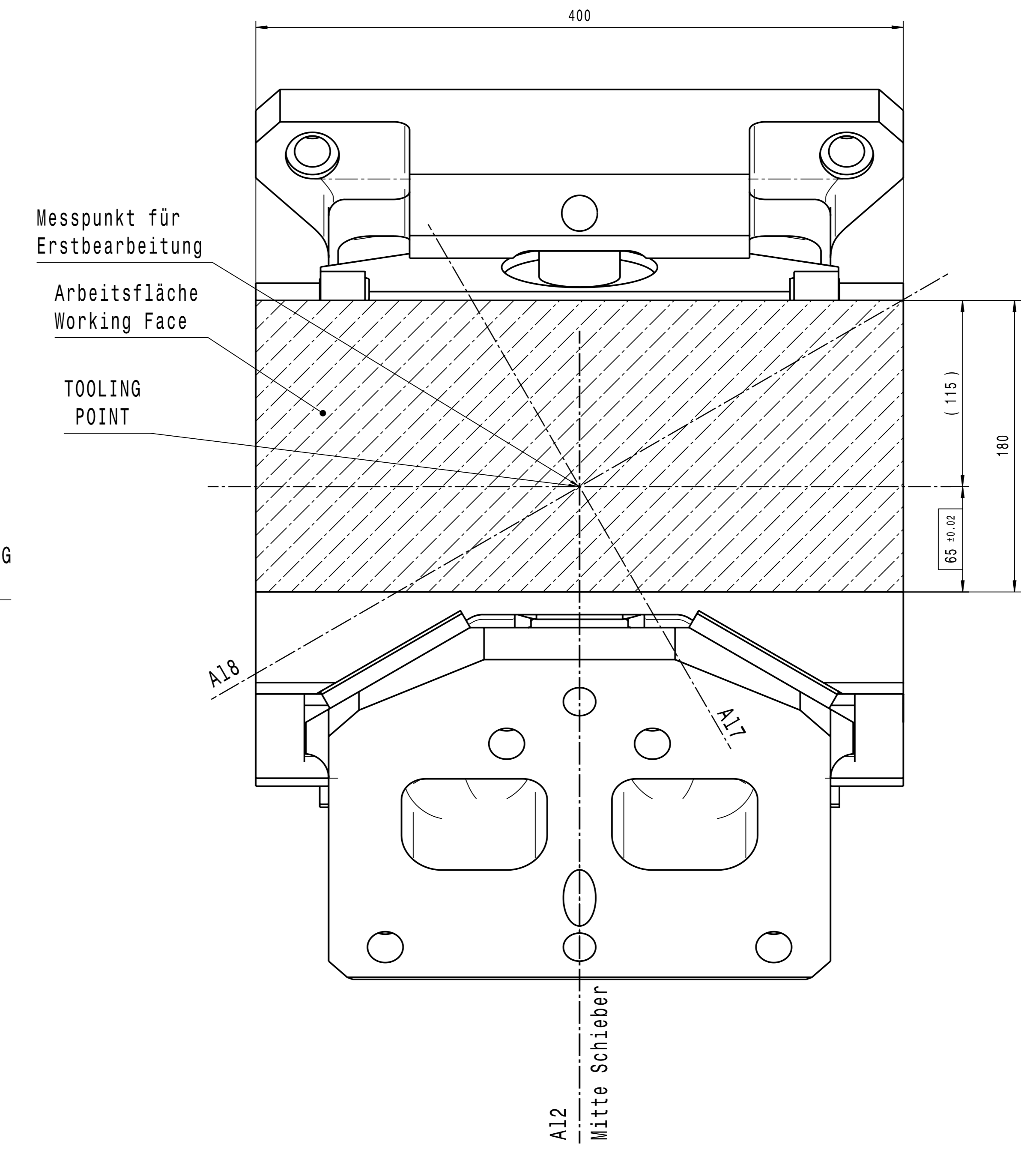
Schnitt A-A



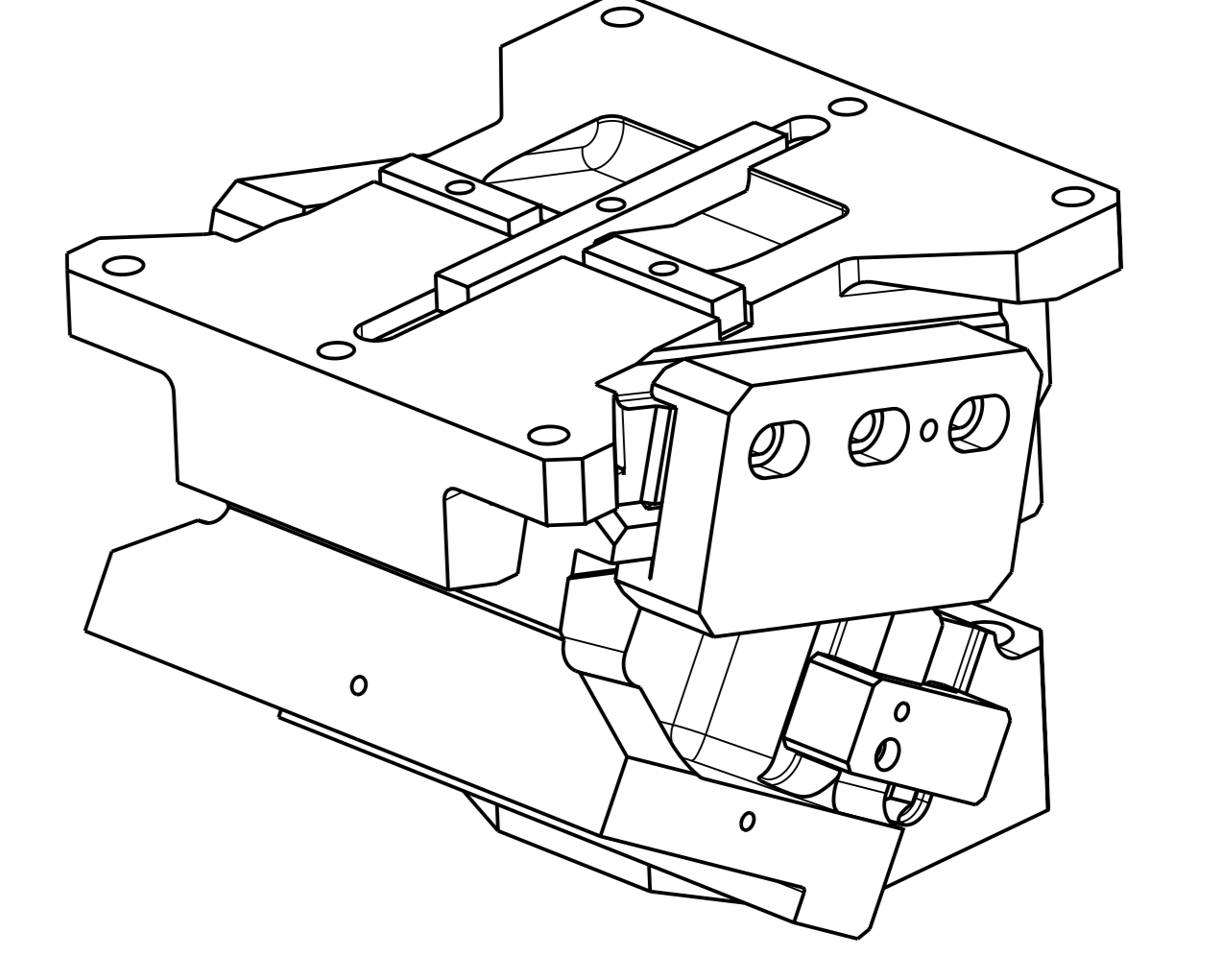
Ansicht X



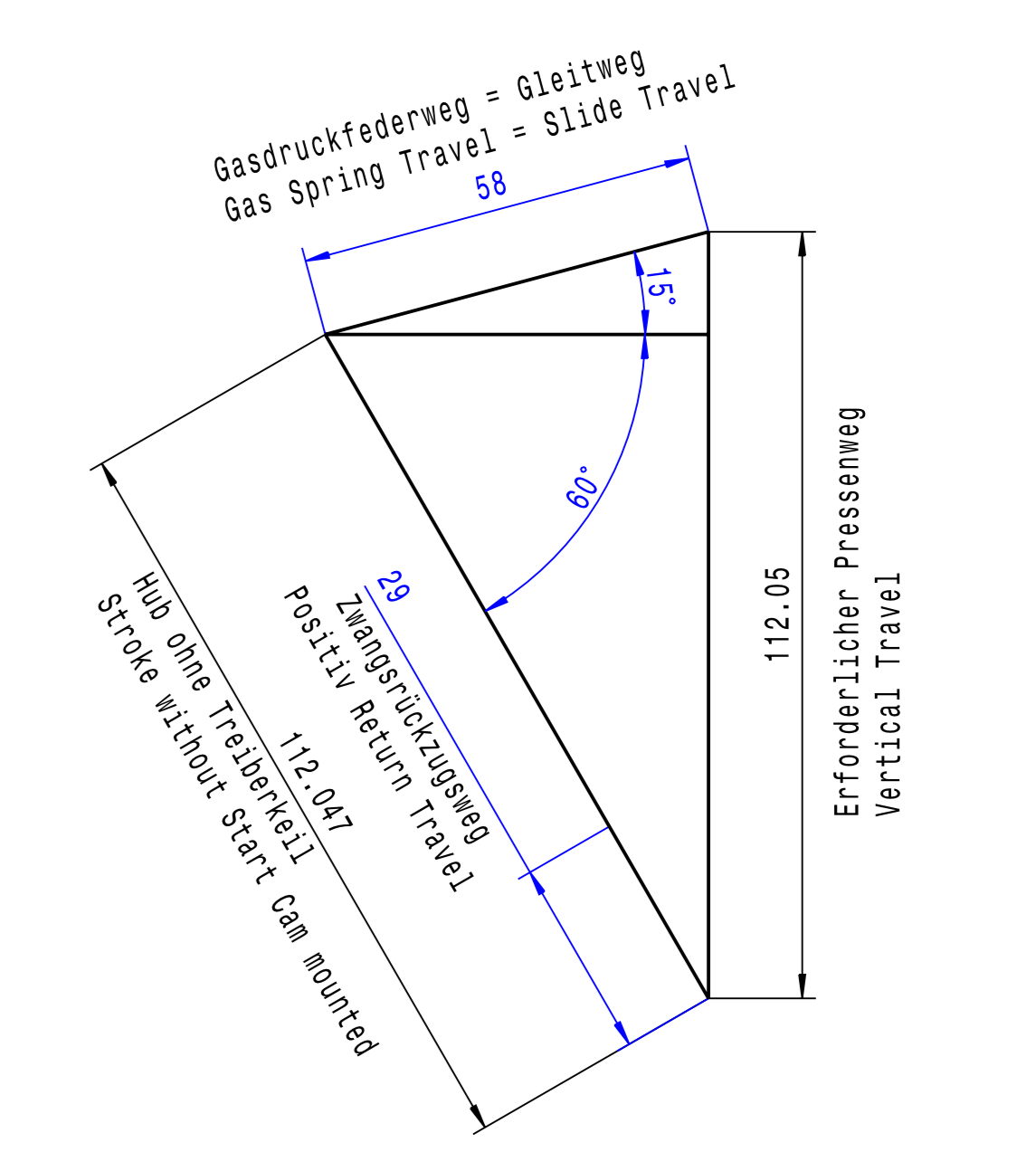
Ansicht Z



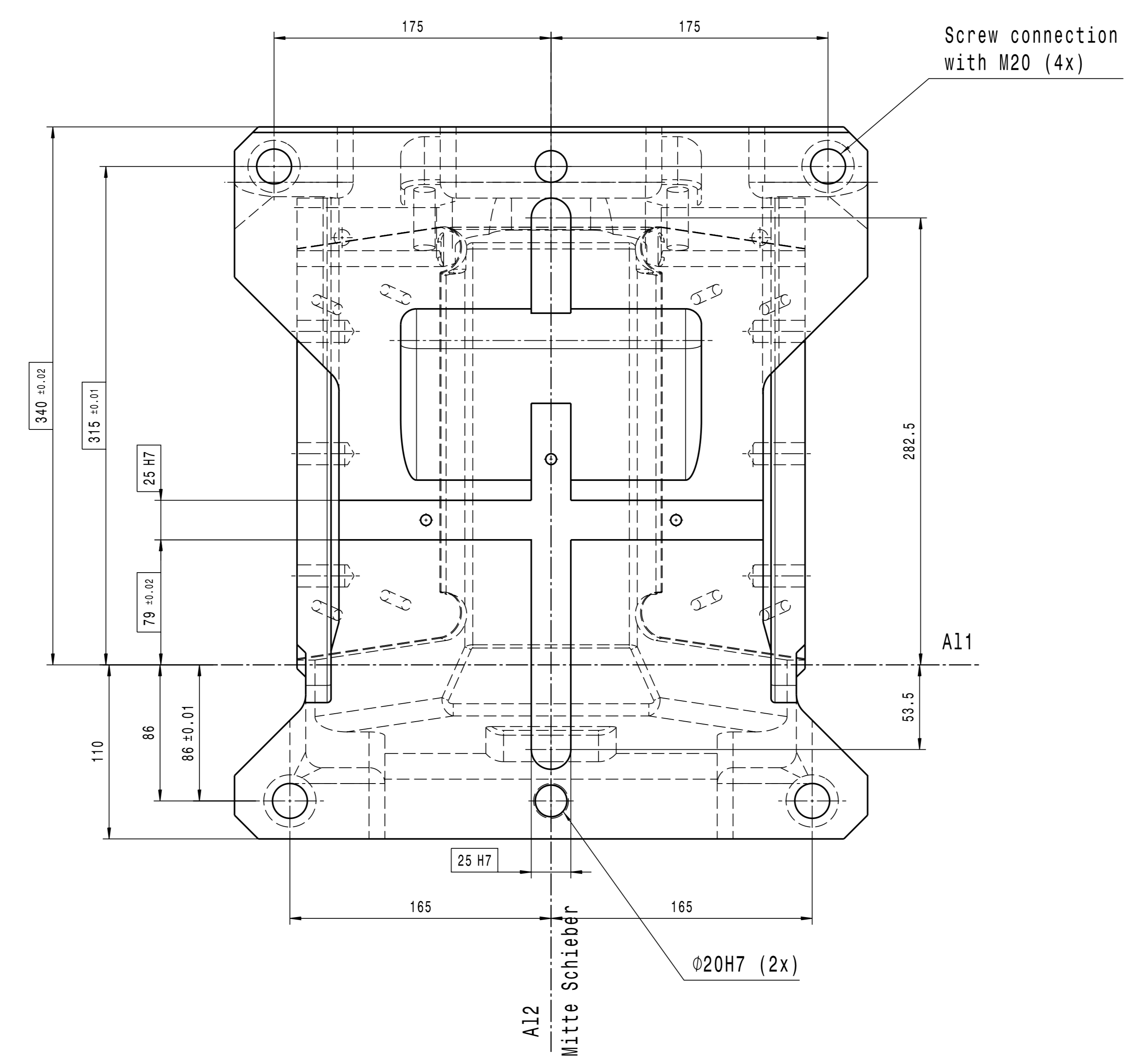
Isometrische Ansicht
Maßstab: 1:4



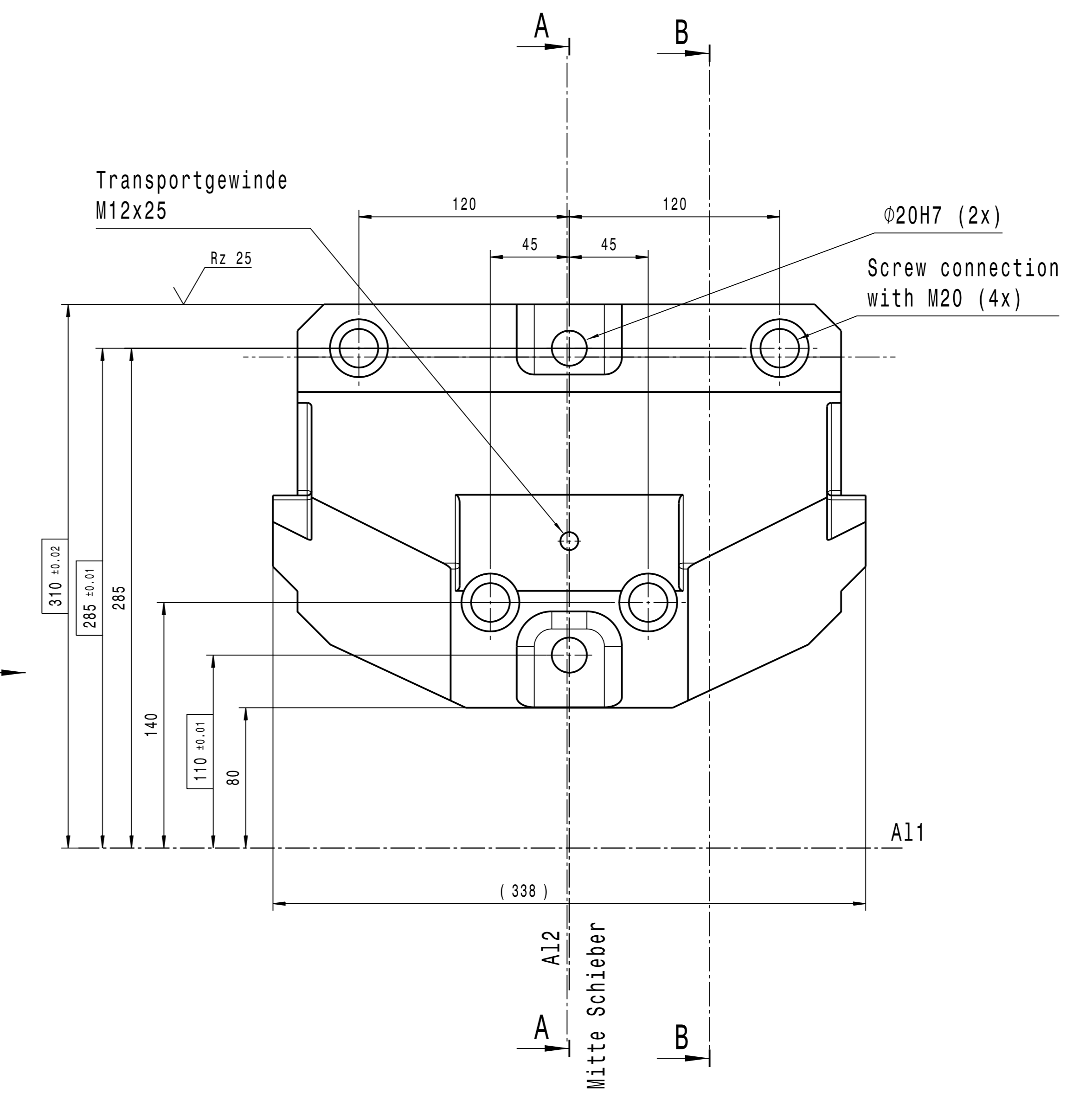
SCHIEBERDIAGRAMM
CAM DIAGRAMM
Maßstab 1:1



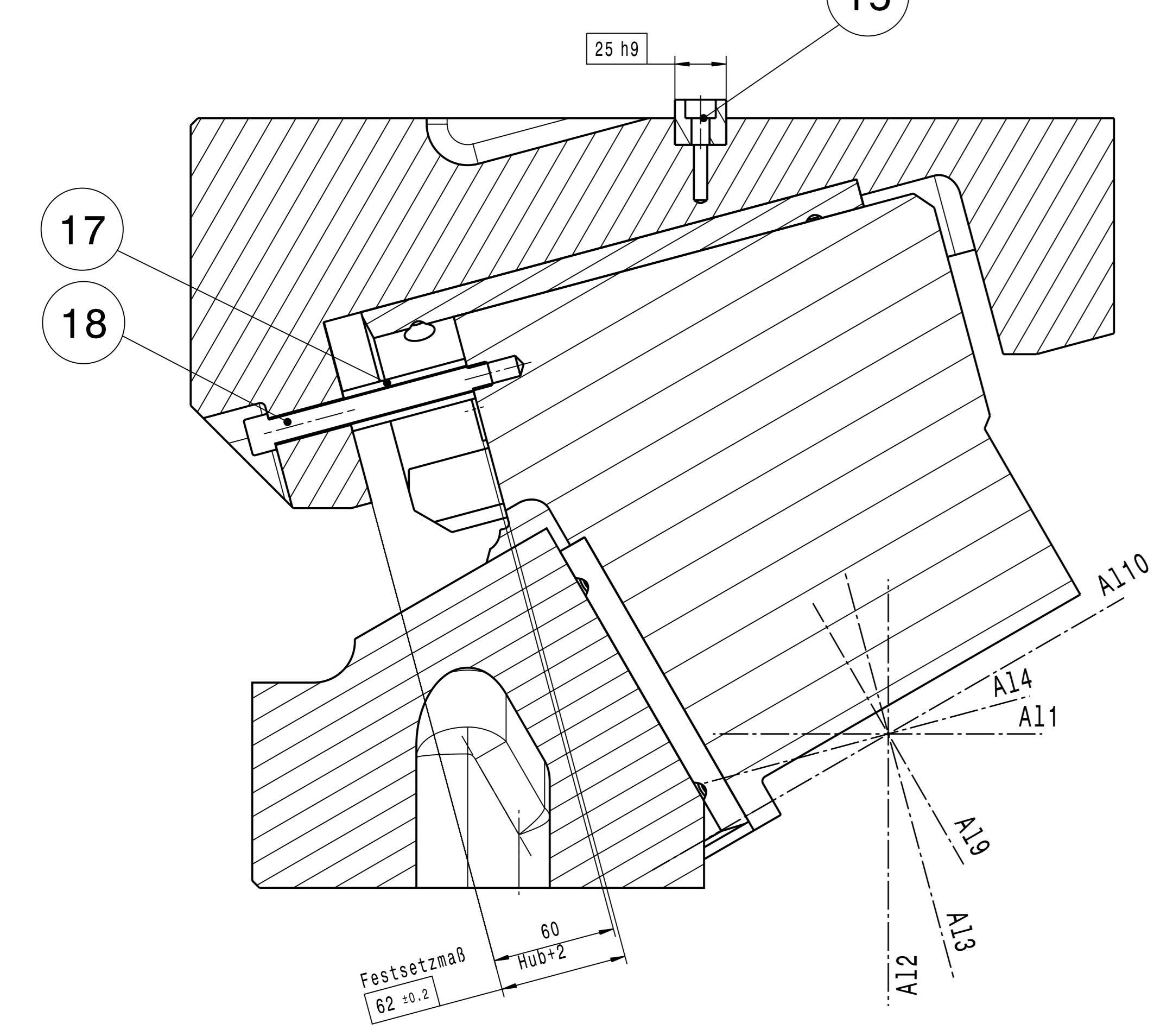
VIEW CAM BASE



VIEW CAM DRIVER



Schnitt B-B



Technische Daten/Specification:
 Schieberweg/Travel of Cam: 112.0mm
 Arbeitsfläche/Working Face: 400x180mm
 Gasfederrückzugskraft/Stripper Force: 30kN

Component Parts: 23532					
Pos.-No.	Anzahl	Bezeichnung	Material	Hersteller	Id.-Nr.
1	1	Cam Driver	0.7070	voestalpine	103635
2	1	Cam Slider	0.7070	voestalpine	103636
3	1	Cam Base	0.7070	voestalpine	103637
4	1	Side Plate (L)	1.7225 (145x65x250)	voestalpine	103558
5	1	Side Plate (R)	1.7225 (145x65x250)	voestalpine	103559
6	2	Wear Plate (A)	WF 750/1A (100x250x12)	voestalpine	18242
7	2	Wear Plate (B)	WF 750/1A (100x200x12)	voestalpine	18243
8	2	Wear Plate (C)	WF 750/1A (25x250x12)	voestalpine	18207
9	1	Gas Spring Ejector	995 Hub 80 effective 58	DADCO	101567
10	1	Positiv Return (L)	1.7225 (120x50x55)	voestalpine	103560
11	1	Positiv Return (R)	1.7225 (120x50x55)	voestalpine	103539
12	2	Damping Element	PUR(402x40)	voestalpine	103561
13	1	Lock Plate	1.7225	voestalpine	103562
14	1	Safety Plate	1.7225 (59x27x10)	voestalpine	105688
15	2	Fitting Key (A)	1.0503.07 (25x22x100)	voestalpine	23391
16	1	Fitting Key (B)	1.0503.07 (25x22x250)	voestalpine	23385
17	2	Lock out Tube	1.7225 (40x3,5x62)	voestalpine	23784
18	2	Lock out Screw	DIN 912 (M12x110)	voestalpine	23680

voestalpine Giesserei Linz GmbH		Date		Name		Description		Sheet No.:	
08		07		06		05		04	
03		02		01		Aerial Cam KS-OT 0400-60° 112,0 Stroke			
04	⑥	14-11-14	SCHNER	ISO 2768	Scale:	1:2	Drawing Number: Zusammenbau		
02	⑤	30.04.2013	RIESS	m	Index No: 06				
01	④	09-02-27	Räberer	Zu: KS_OT_0400_60_IND_06_23532_HUB_112_0_2014_11_14_SCHNER					