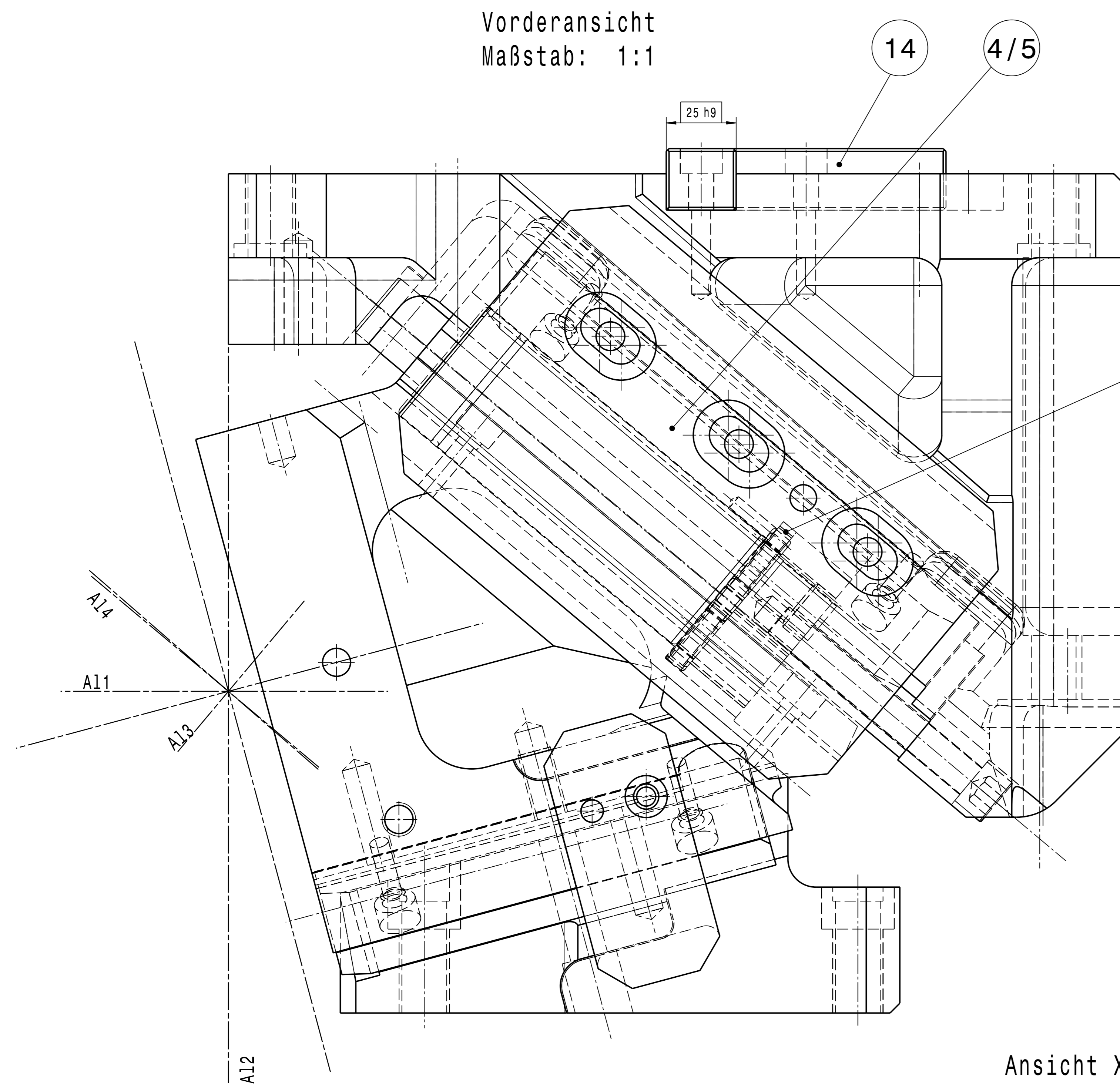
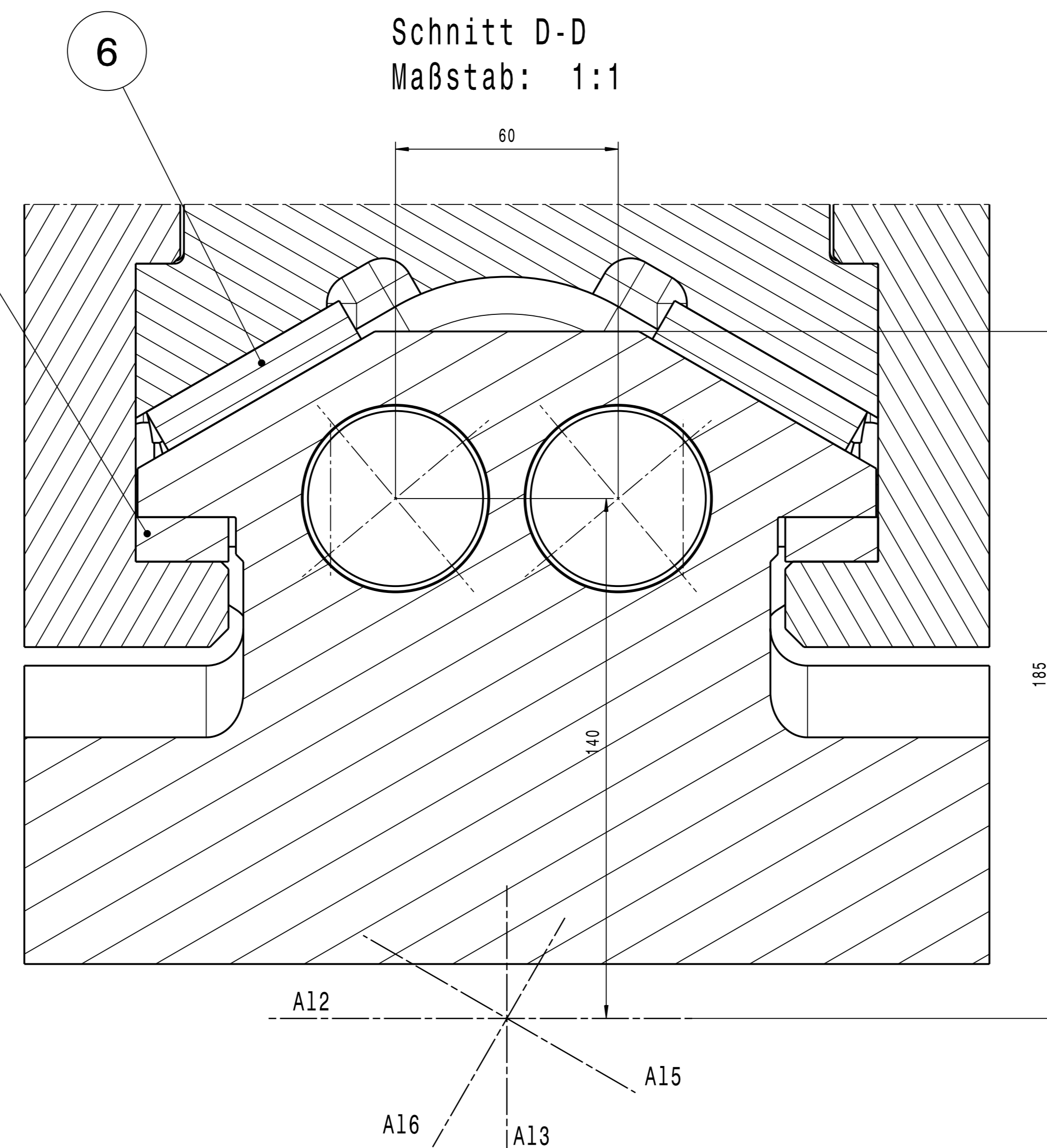


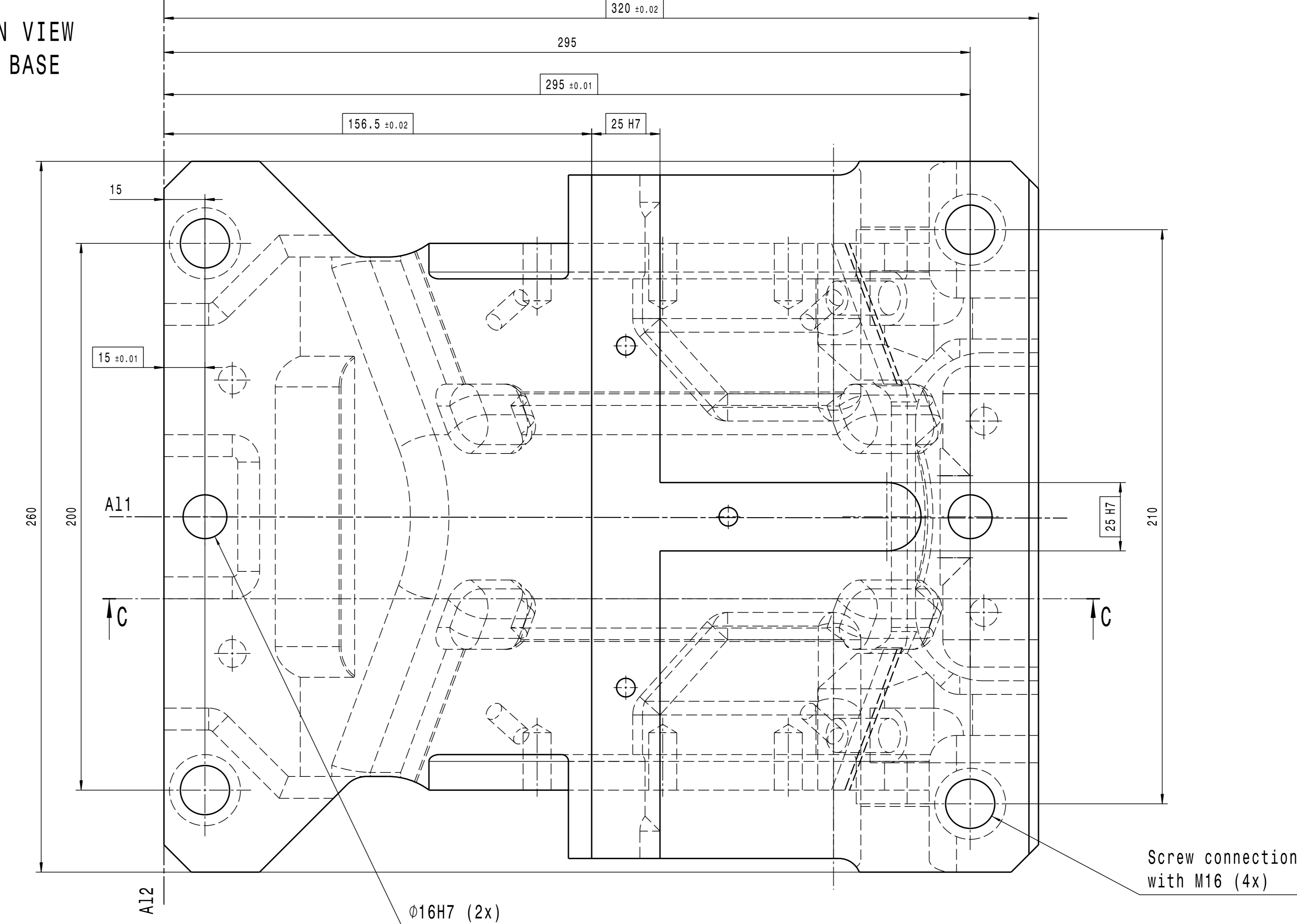
Vorderansicht
Maßstab: 1:1



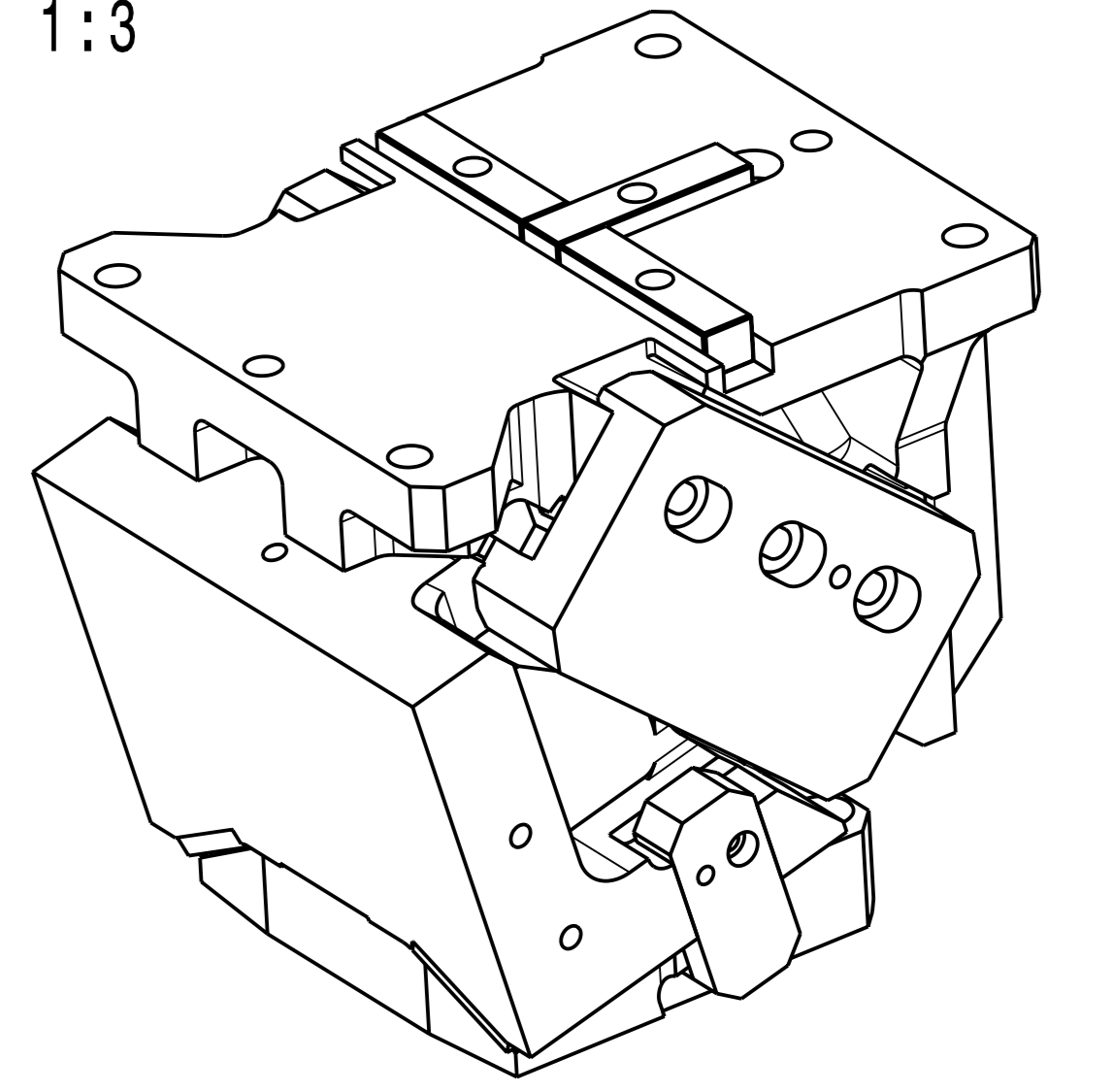
Schnitt D-D
Maßstab: 1:1



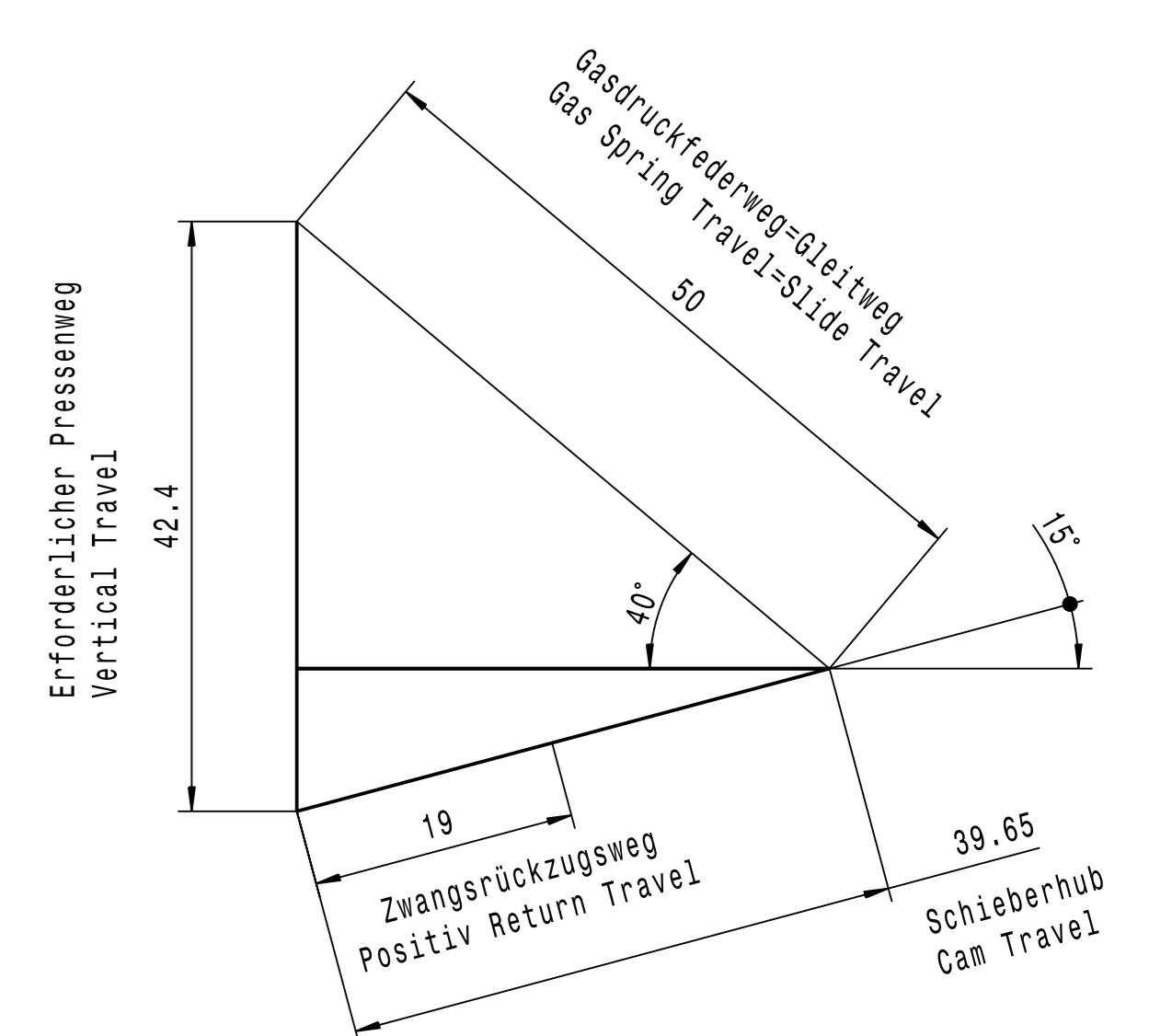
PLAN VIEW
CAM BASE



Isometrische Ansicht
Maßstab: 1:3



SCHIEBERDIAGRAMM
CAM DIAGRAM
Maßstab 2:1



√roh (√Rz 100 √Rz 25 √Rz 6,3)

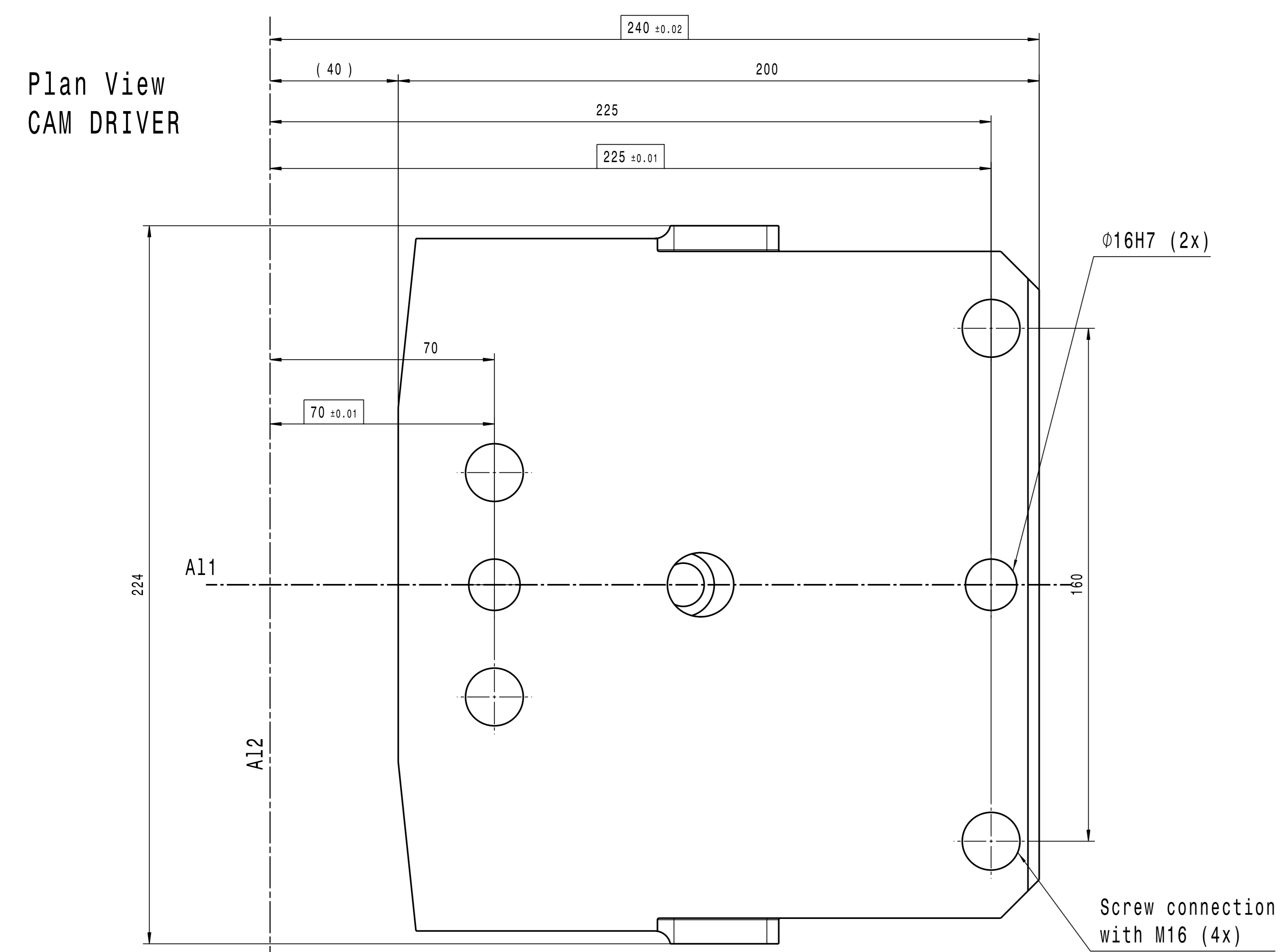
Technische Daten / Specification:
 Schieberweg / Travel of Cam: 39,65mm
 Arbeitsfläche / Working Face: 190x260mm
 Gasfederrückzugskraft / Stripper Force min.: 930daN

Component Parts: 23493

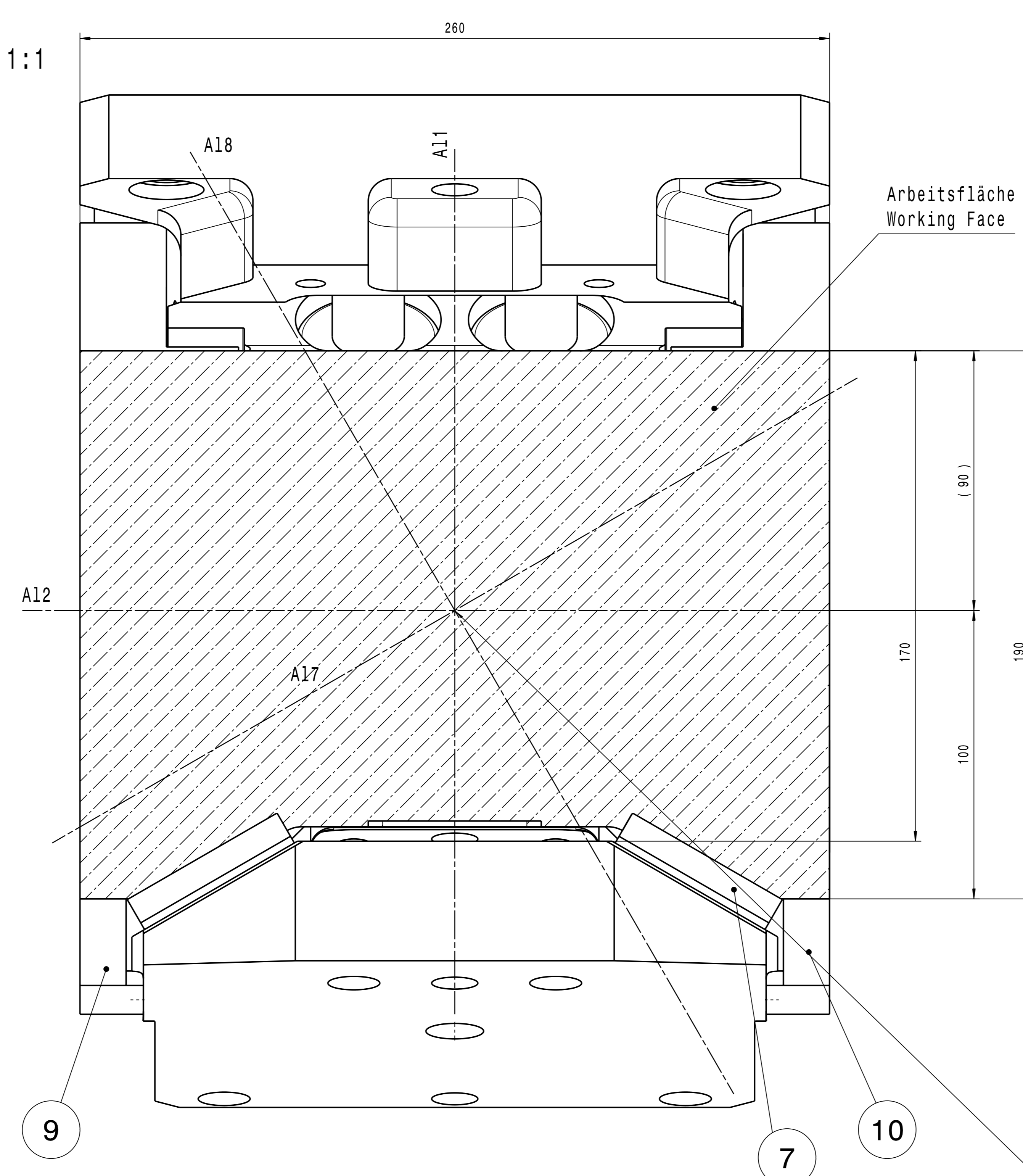
Pos.-Nr.	Anzahl	Bezeichnung	Material	Hersteller	Id.-Nr.
1	1	Cam driver	0.7070	voestalpine	103525
2	1	Cam Slider	0.7070	voestalpine	103526
3	1	Cam Base	0.7070	voestalpine	103527
4	1	Side Plate (L)	1.7225 (125x200x55)	voestalpine	103476
5	1	Side Plate (R)	1.7225 (125x200x55)	voestalpine	103477
6	2	Wear Plate (A)	WF 750/1A (60x12x200)	voestalpine	18294
7	2	Wear Plate (B)	WF 750/1A (60x12x160)	voestalpine	18293
8	2	Gas Spring Ejector	90.3.00750.080, 450 Hub 80 / eff 50	DADCO	101566
9	1	Positiv Return	1.7225 (45x95x25)	voestalpine	103478
10	1	Positiv Return	1.7225 (45x95x25)	voestalpine	105540
11	2	Damping Element	PUR(616x25)	voestalpine	101512
12	1	Lock Plate	1.7225 (45x9x8)	voestalpine	105541
13	2	Wear Plate (C)	WF 750/1A (25x12x200)	voestalpine	18208
14	1	Fitting Key (B)	1.0503.07 (25x22x100)	voestalpine	23391
15	2	Fitting Key (A)	1.0503.07 (25x22x100)	voestalpine	23391
16	1	Safety Plate	1.7225 (52x30x8)	voestalpine	103741
17	2	Lock Out Screw	DIN 912 M12x90	voestalpine	23791
18	2	Lock Out Tube	1.7225 (420x3.5x54)	voestalpine	23792
19	-	-	-	-	-
20	-	-	-	-	-
21	-	-	-	-	-
22	-	-	-	-	-

voestalpine Gießerei Linz GmbH		Position:	Amount:	Material:	Sheet-No.:
Date:	Name:	Description:		Ident-No.:	
08		Aerial Cam		23493	
07		KS-OT 260-15°			
06		39,6 Stroke			
05	(11)	2002-01-14	SCHNER	Scale:	Index-No.:
04	(10)	2001-02-08	SCHNER	1:1	11
03	(9)	2019-06-24	SCHNER	ISO 2768	
02	(8)	2015-01-20	SCHNER	m	
01	(7)	2007-05-09	Röjener		

Plan View
CAM DRIVER



Ansicht X
Maßstab: 1:1



Schnitt C-C
Maßstab: 1:1

