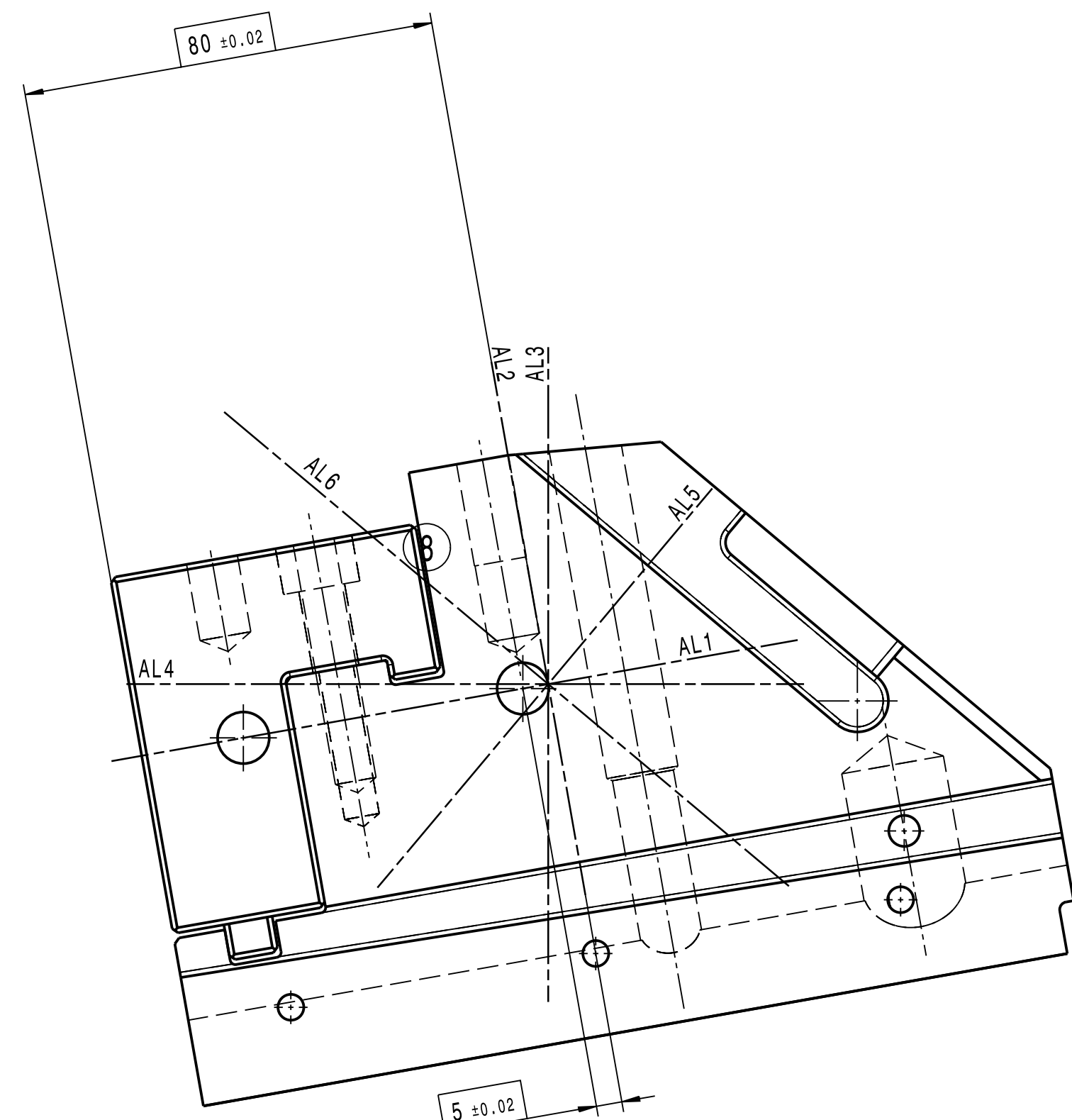
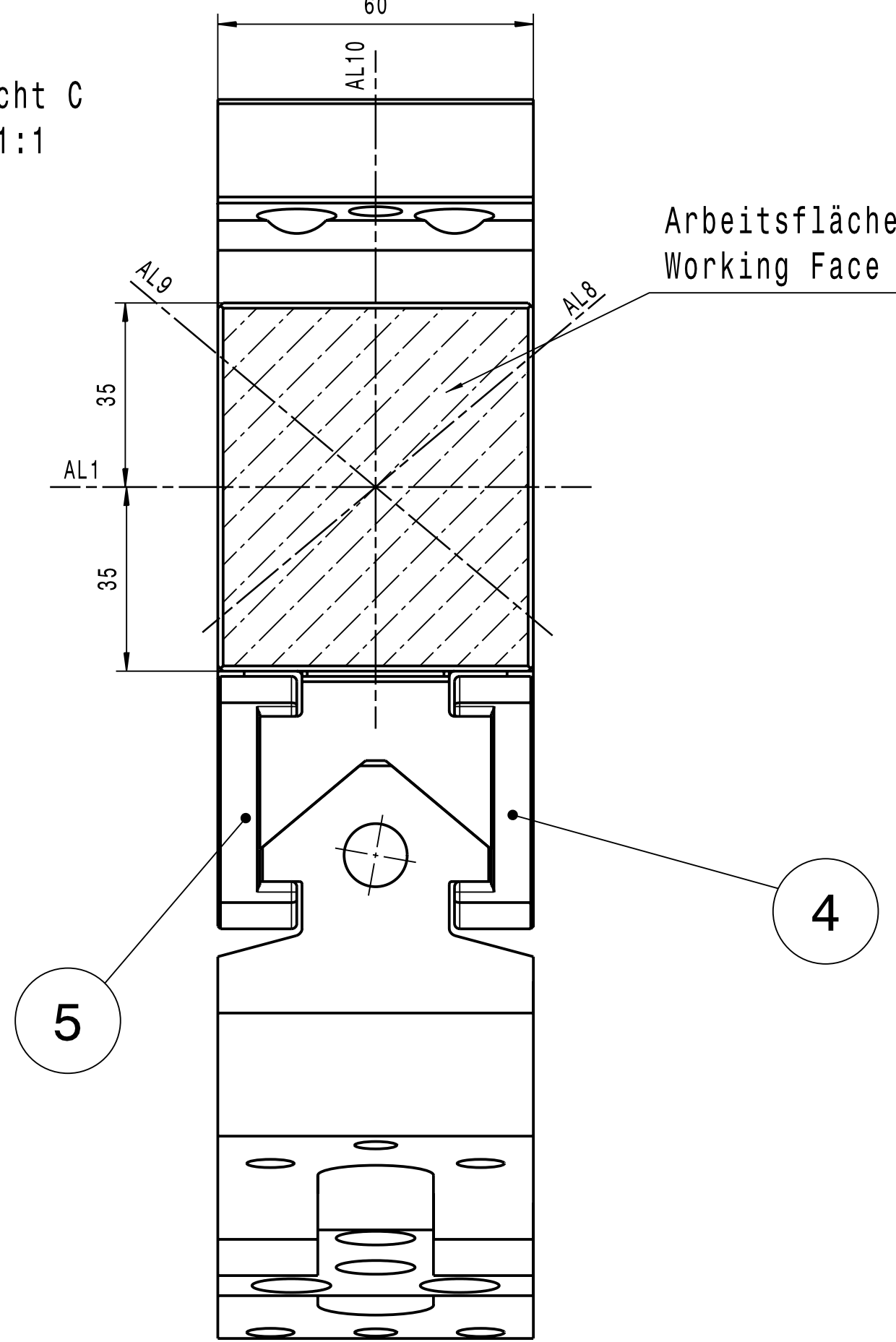


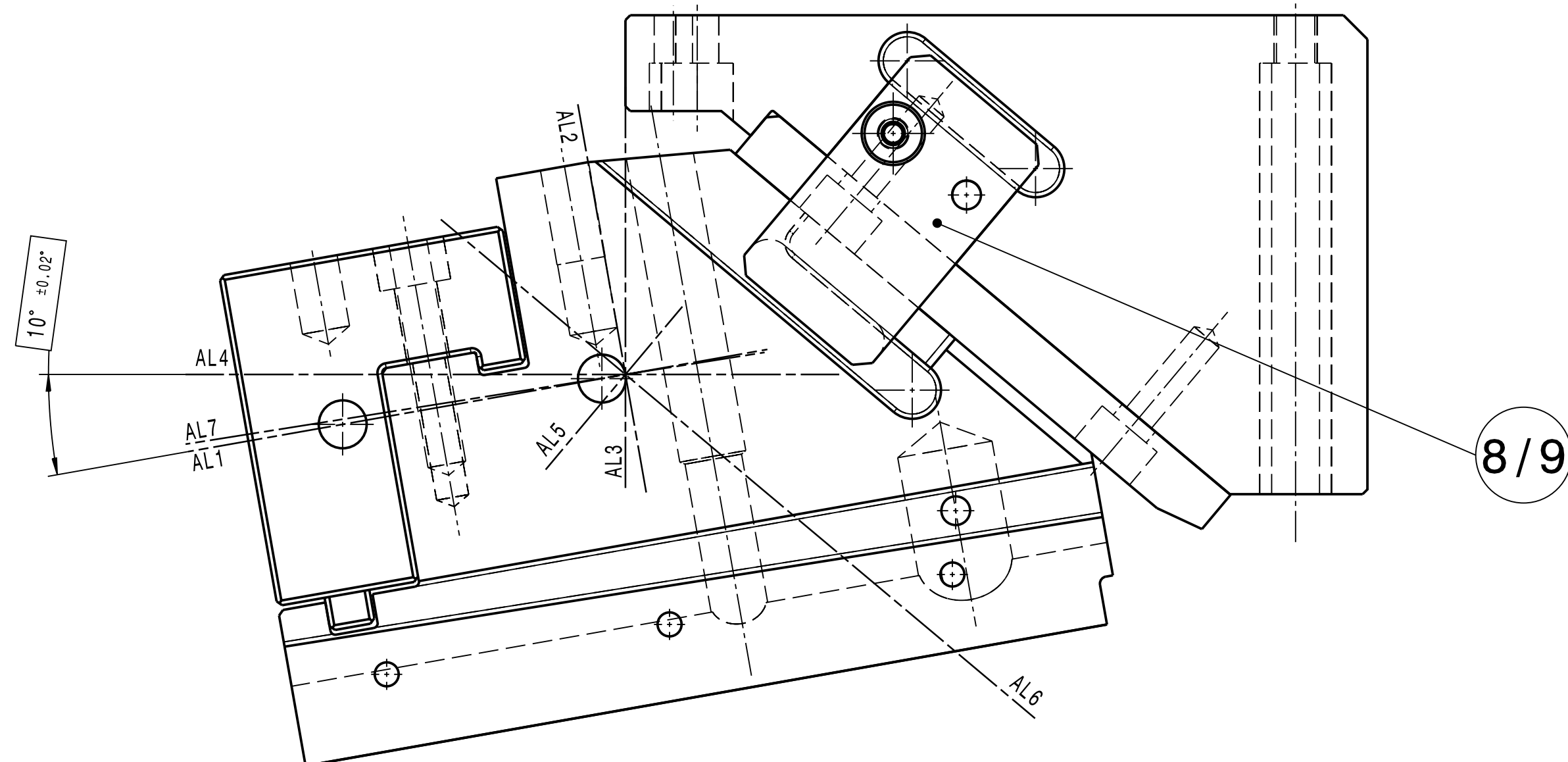
Vorderansicht
Maßstab: 1:1



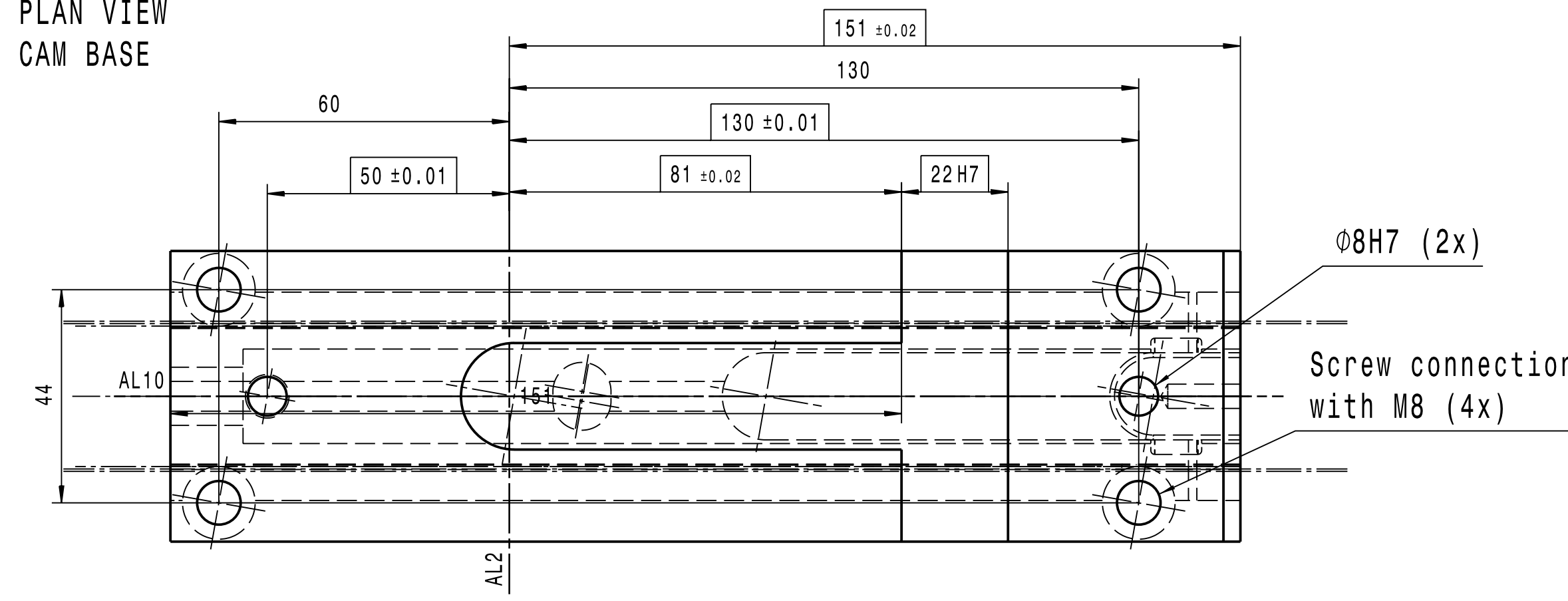
Hilfsansicht C
Maßstab: 1:1



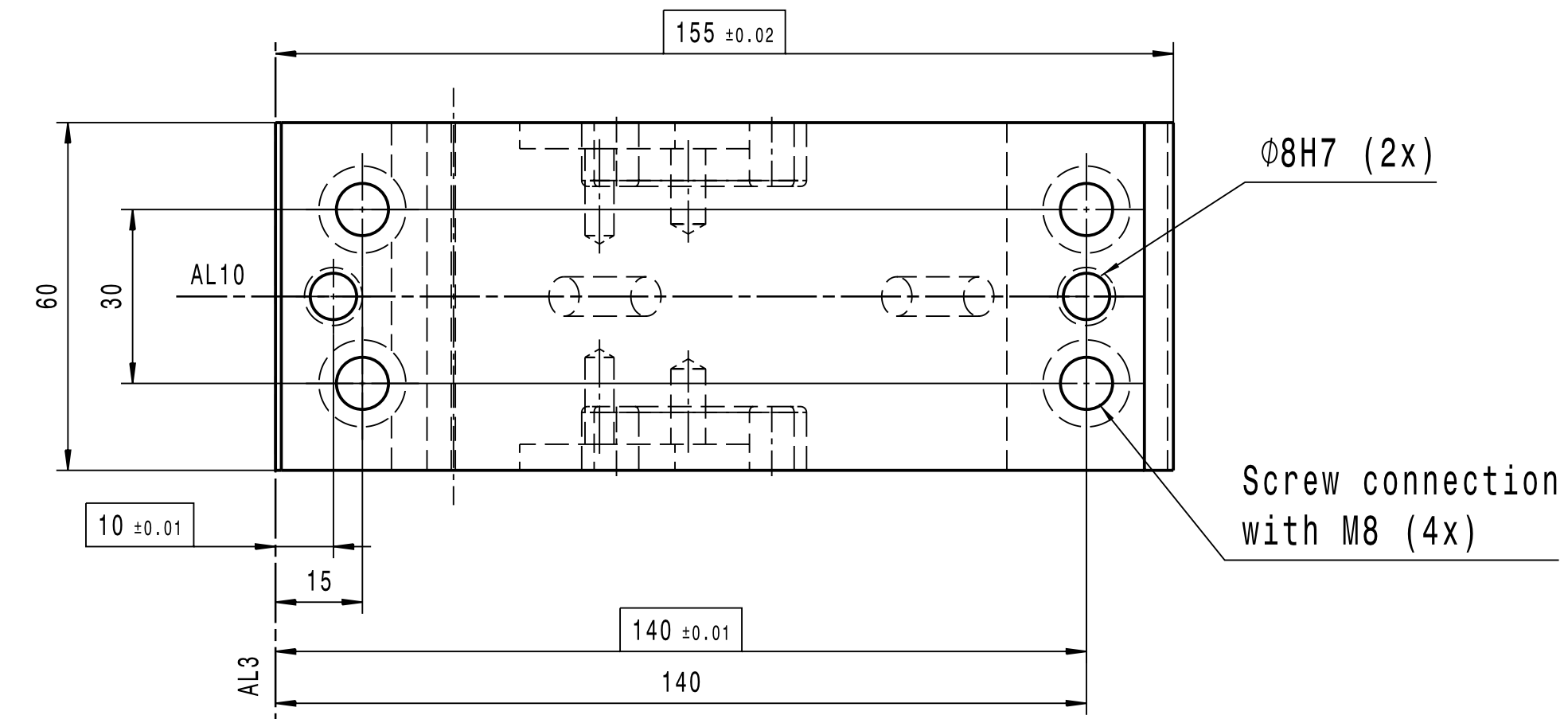
Vorderansicht
Maßstab: 1:1



PLAN VIEW
CAM BASE



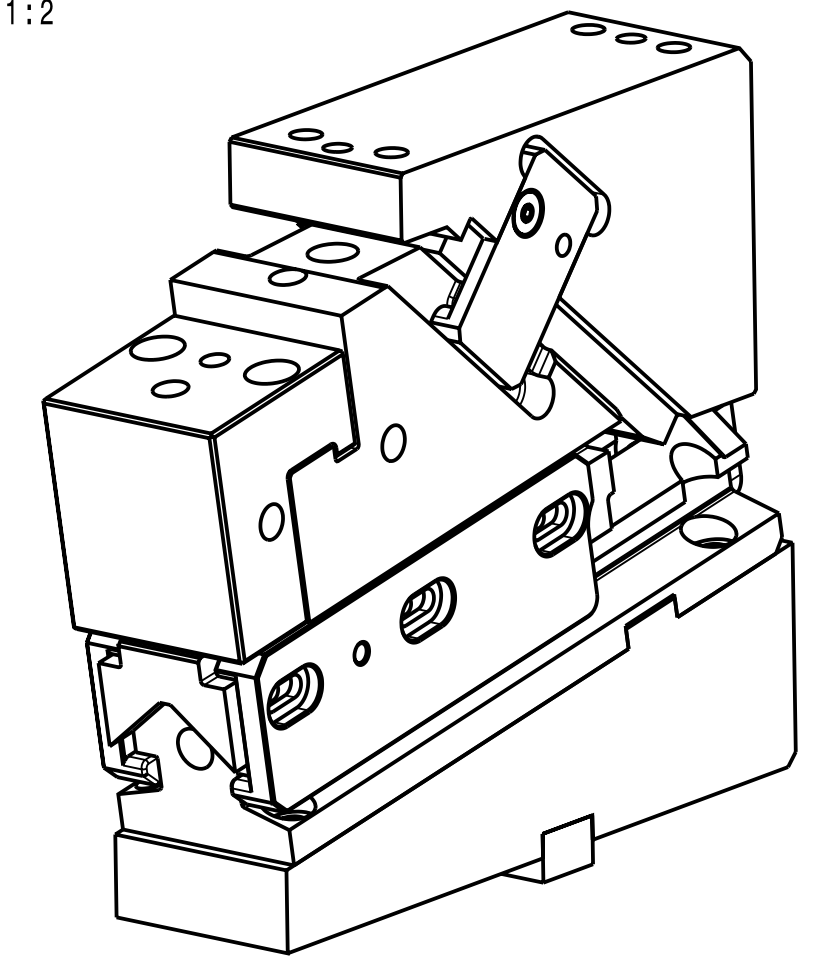
Plan View
CAM DRIVER



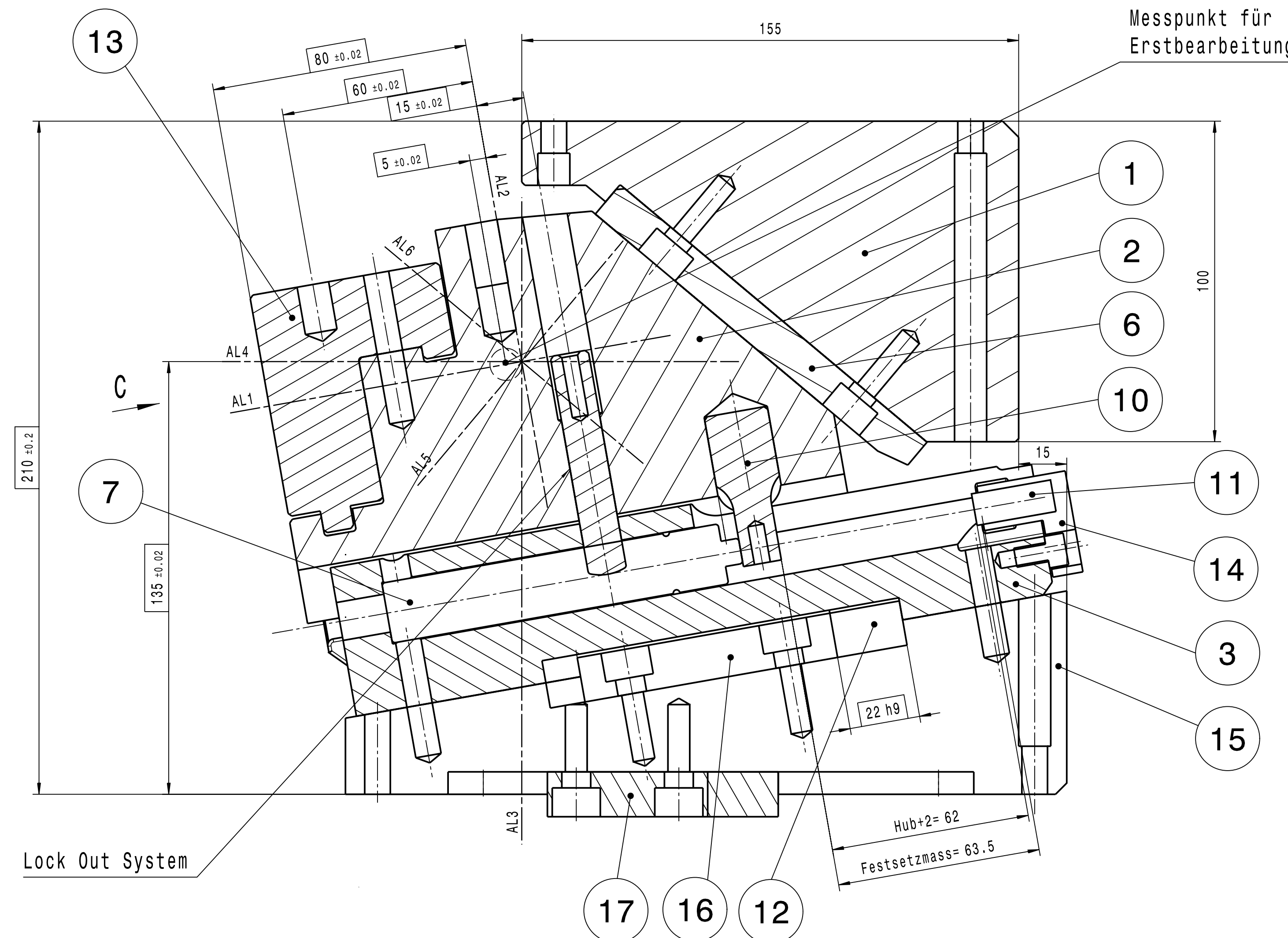
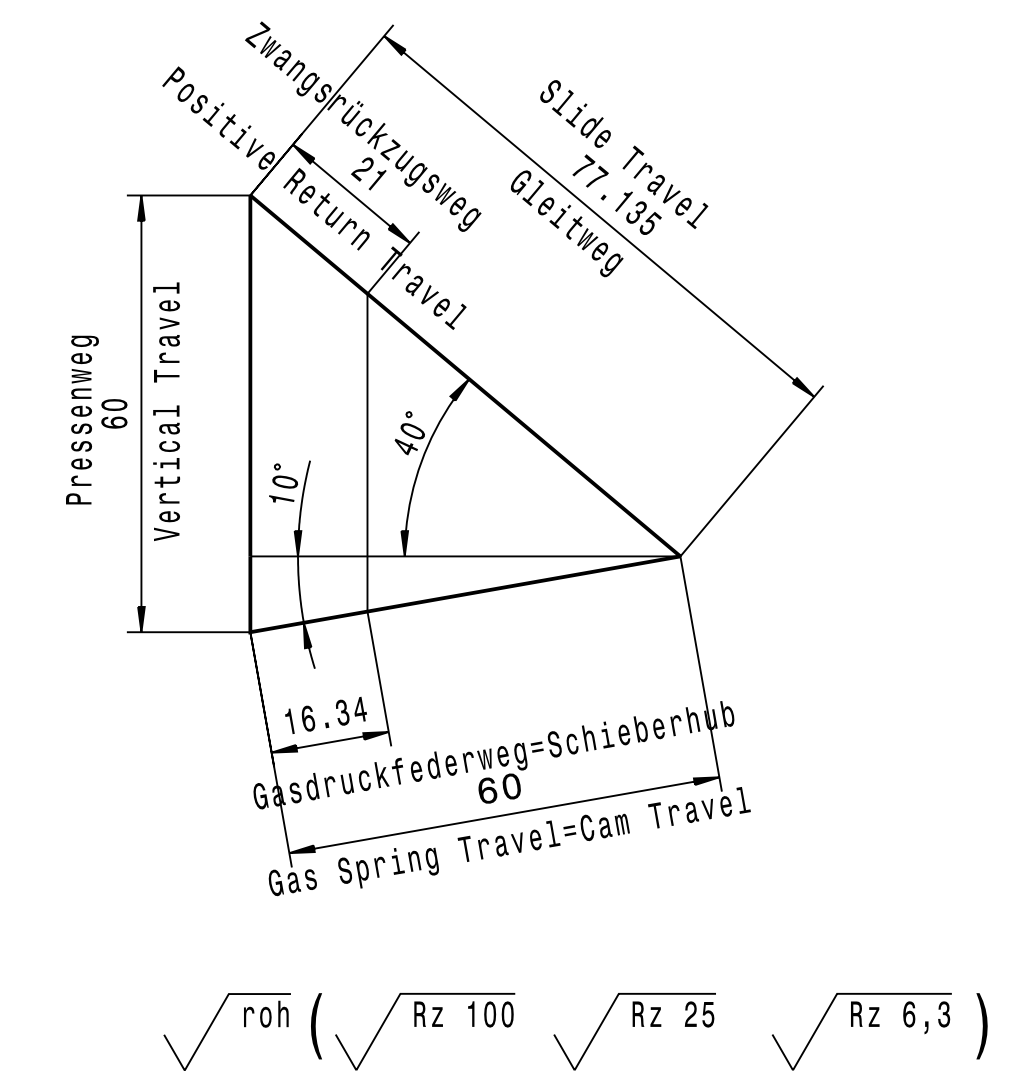
Diese Zeichnung ist geistiges Eigentum der voestalpine Giesserei Linz GmbH. Eine Weitergabe an Dritte ohne unsere Zustimmung ist nicht erlaubt. This drawing is intellectual property of voestalpine Giesserei Linz GmbH. A transfer to a third party without our agreement is not allowed.

Screw tolerance: ±0,2
Locating pin tolerance: ±0,01

Isometrische Ansicht
Maßstab: 1:2



SCHIEBERDIAGRAMM
CAM DIAGRAM

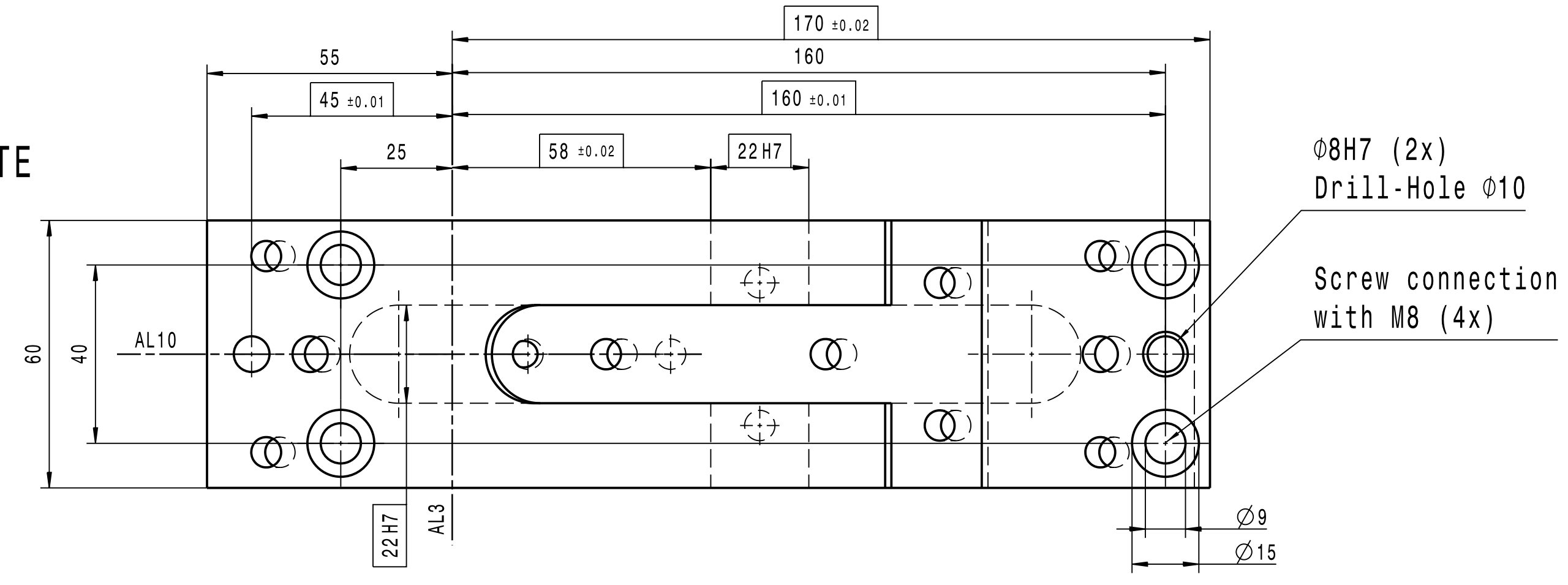


Technische Daten / Specification:
Schieberweg / Travel of Cam: 60mm
Arbeitsfläche / Working Face: 70x60mm
Abstreifkraft / Retractility: 0.9 kN

Attention!
Difference between BS and HS:
The sliding surfaces from slider (BS-UT) are not hardened

Component Parts: 22523 (HS-UT)		28408 (BS-UT)				
Pos.-No.	Anzahl	Bezeichnung	Material	Hersteller	Id.-Nr. (HS)	Id.-Nr. (BS)
1	1	Cam Driver	HS-BSS-UT-60-10*60mm	voestalpine	HB104262	HB104262
2	1	Cam Slider	0.7070 (Casting 109816 BS/MS/60/50-0°-10°60mm)	voestalpine	H105816	B105816
3	1	Cam Base	WF 750/1A (roh:57x70x231)	voestalpine	HB21303	HB21303
4	1	Side Plate (L)	1.7225 (48x10x150)	voestalpine	103987	103987
5	1	Side Plate (R)	1.7225 (48x10x150)	voestalpine	103989	103989
6	1	Wear Plate	WF 750/1A (125x50x12)	voestalpine	18241	18241
7	1	Gas Spring Ejector	C-090-063-SW (Ø19 Hub 63 effektiv 62)	DADCO	101544	101544
8	1	Positive Return (L)	1.7225 (35x15x60)	voestalpine	104047	104047
9	1	Positive Return (R)	1.7225 (35x15x60)	voestalpine	104046	104046
10	1	Stop Bolt	1.7225	voestalpine	103985	103985
11	1	Damping Element	PUR Ø10x25	voestalpine	101498	101498
12	2	Fitting Key	1.0503.07 (14x22x60)	voestalpine	104256	104256
13	1	Mounting Plate	1.7225 (59x60x77)	voestalpine	105815	105815
14	1	Stop Plate	1.7225 (32x22x28)	voestalpine	103993	103993
15	1	Adapter plate	1.7225	voestalpine	104261	104261
16	1	Fitting Key	1.0503.07 (80x22x14)	voestalpine	104255	104255
17	1	Fitting Key	1.0503.07 (50x22x14)	voestalpine	104225	104225
18	-	-	-	-	-	-
19	-	-	-	-	-	-
20	-	-	-	-	-	-
21	-	-	-	-	-	-
22	-	-	-	-	-	-

PLAN VIEW
ADAPTERPLATE



voestalpine Giesserei Linz GmbH		Position:	Amount:	Material:	Sheet No.:
Die Mount Cam		Description:		HS-UT 060-10°	
BS-UT 060-10°		Date:		22523	
60 Stroke		Name:		28408	
Assembly		Drawing Number:		Index No.:	
09		Scale: 1:1		09	
Zu: Modification Date Name Datesname: HS_BS_UT_060_10_IND_09_22523_28408_HUB_60_2013_06_11_REISS					