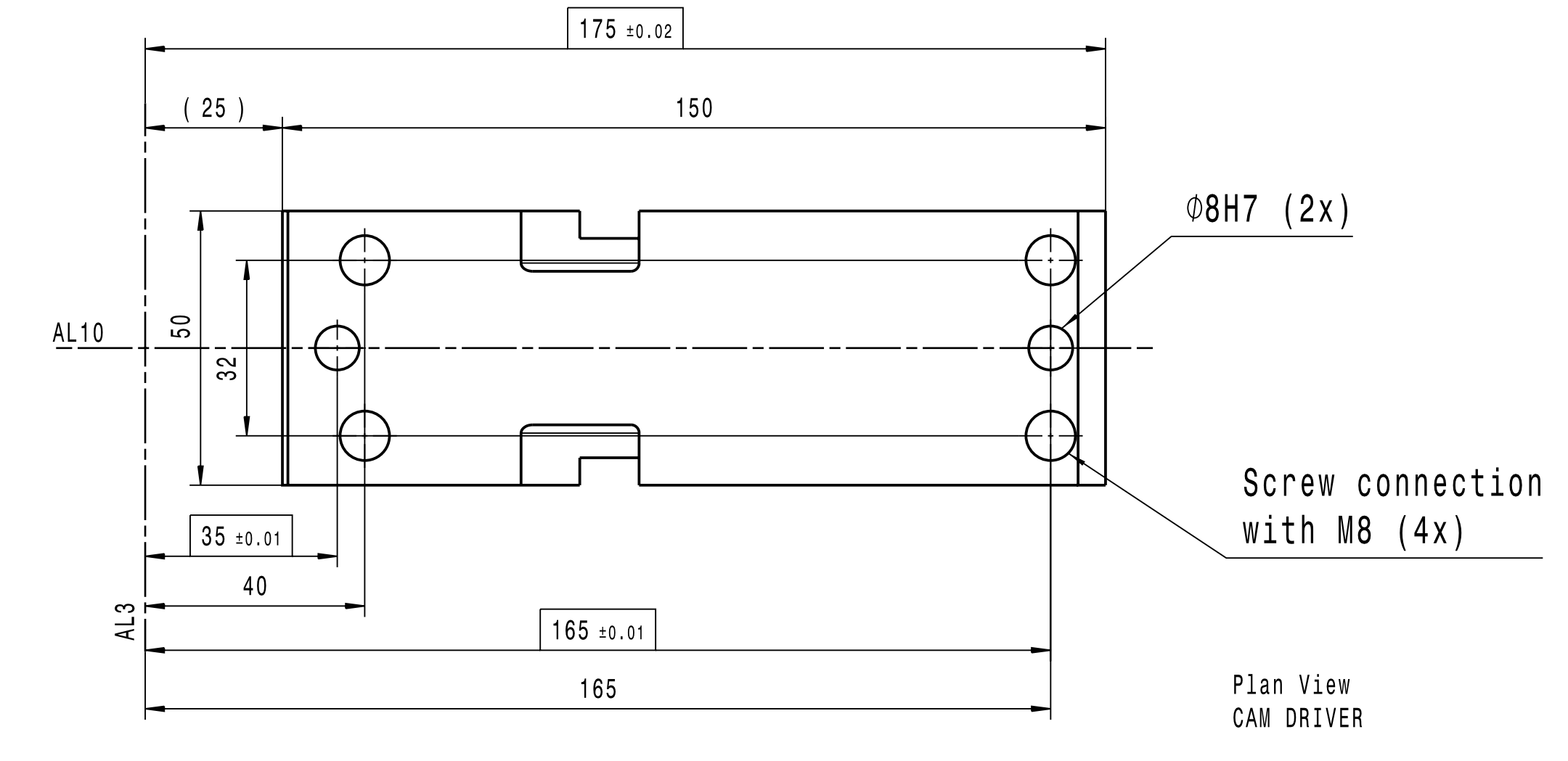
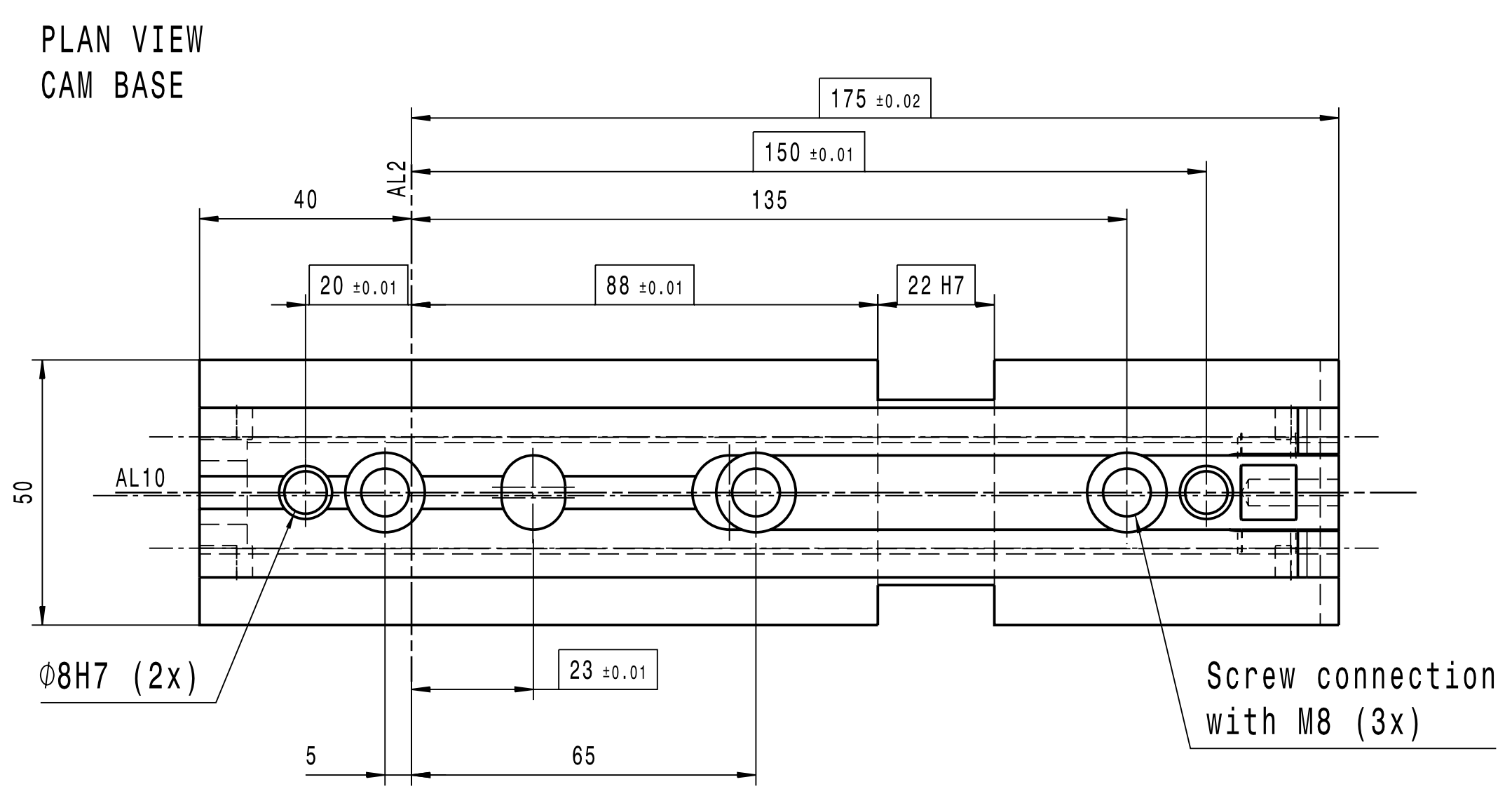
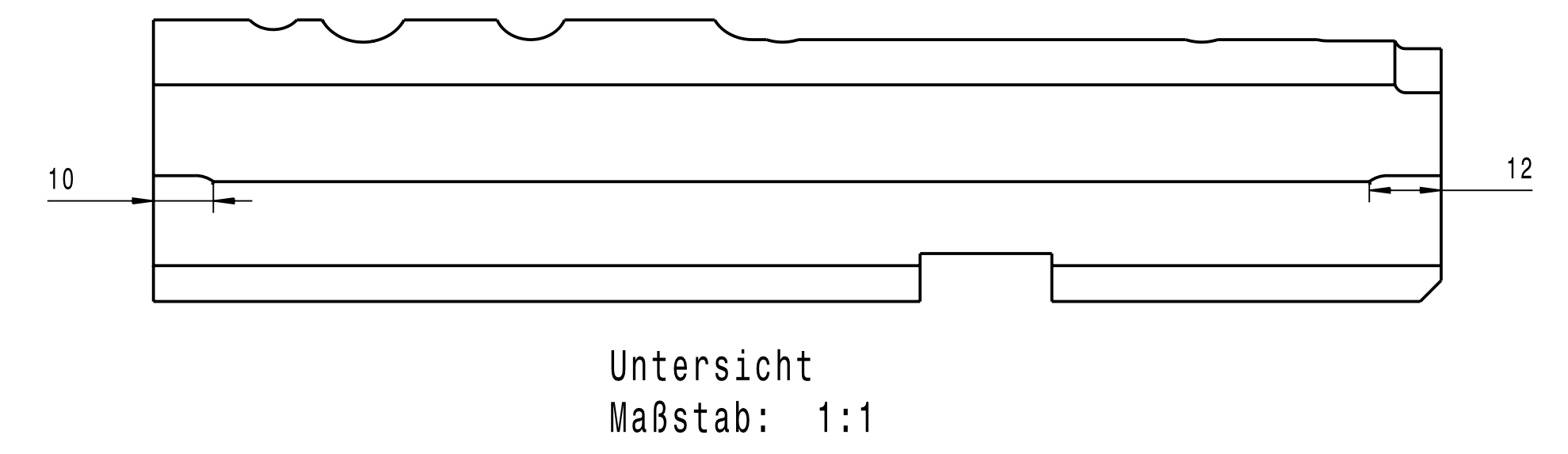
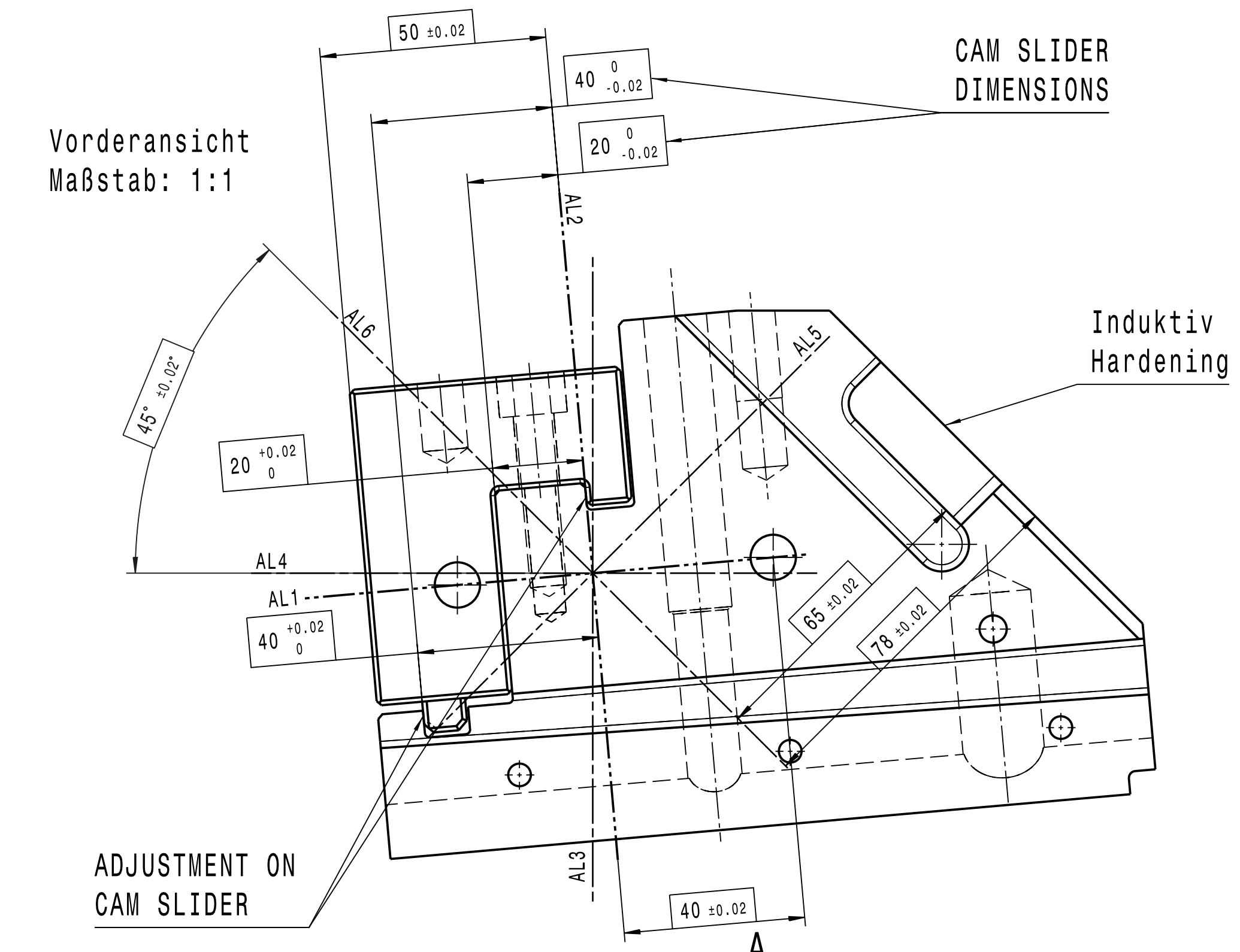
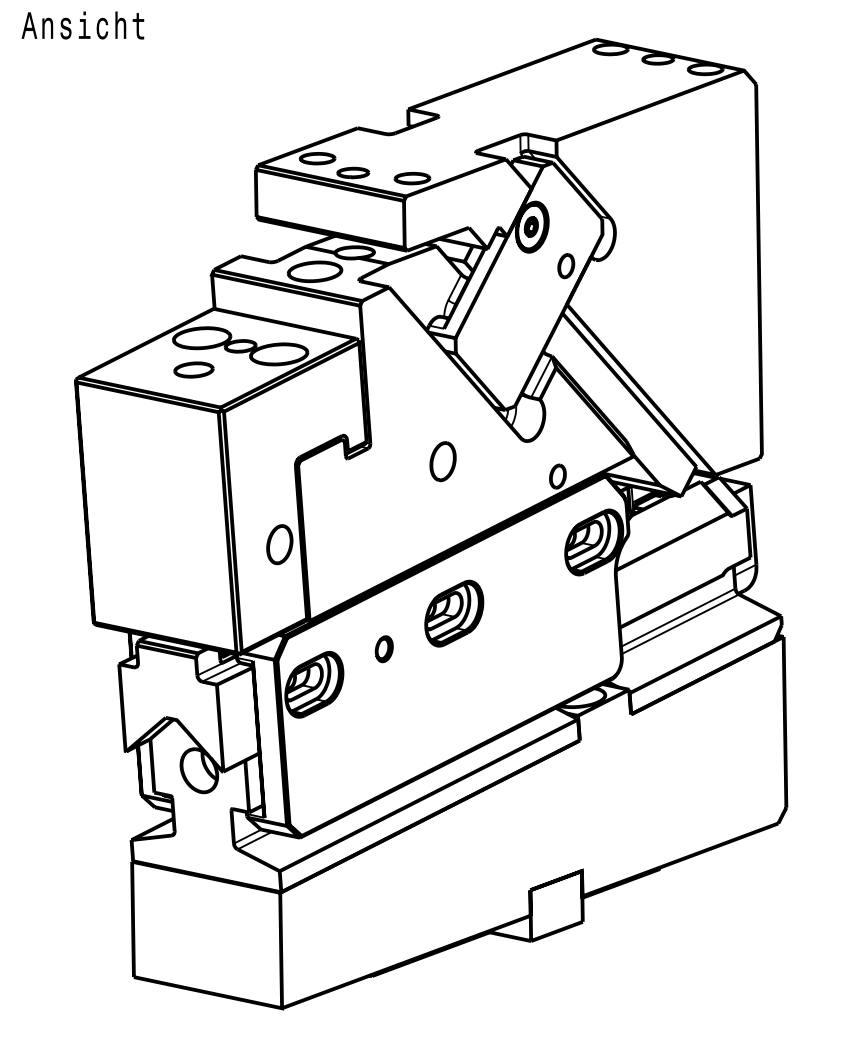


Diese Zeichnung ist geistiges Eigentum der voestalpine Giesserei Linz GmbH. Eine Weitergabe an Dritte ohne unsere Zustimmung ist nicht erlaubt.  
 This drawing is intellectual property of voestalpine Giesserei Linz GmbH. A transfer to a third party without our agreement is not allowed.

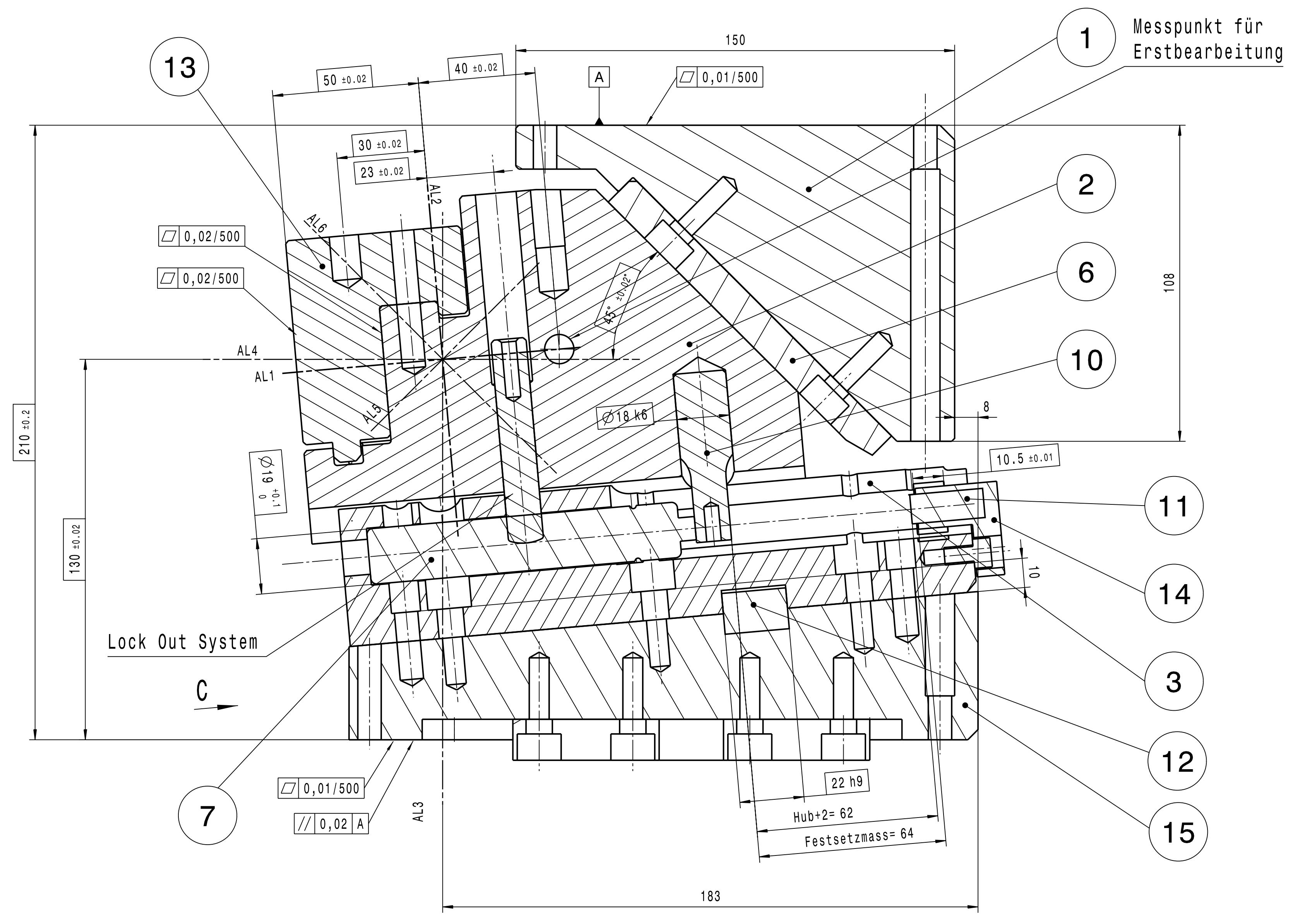
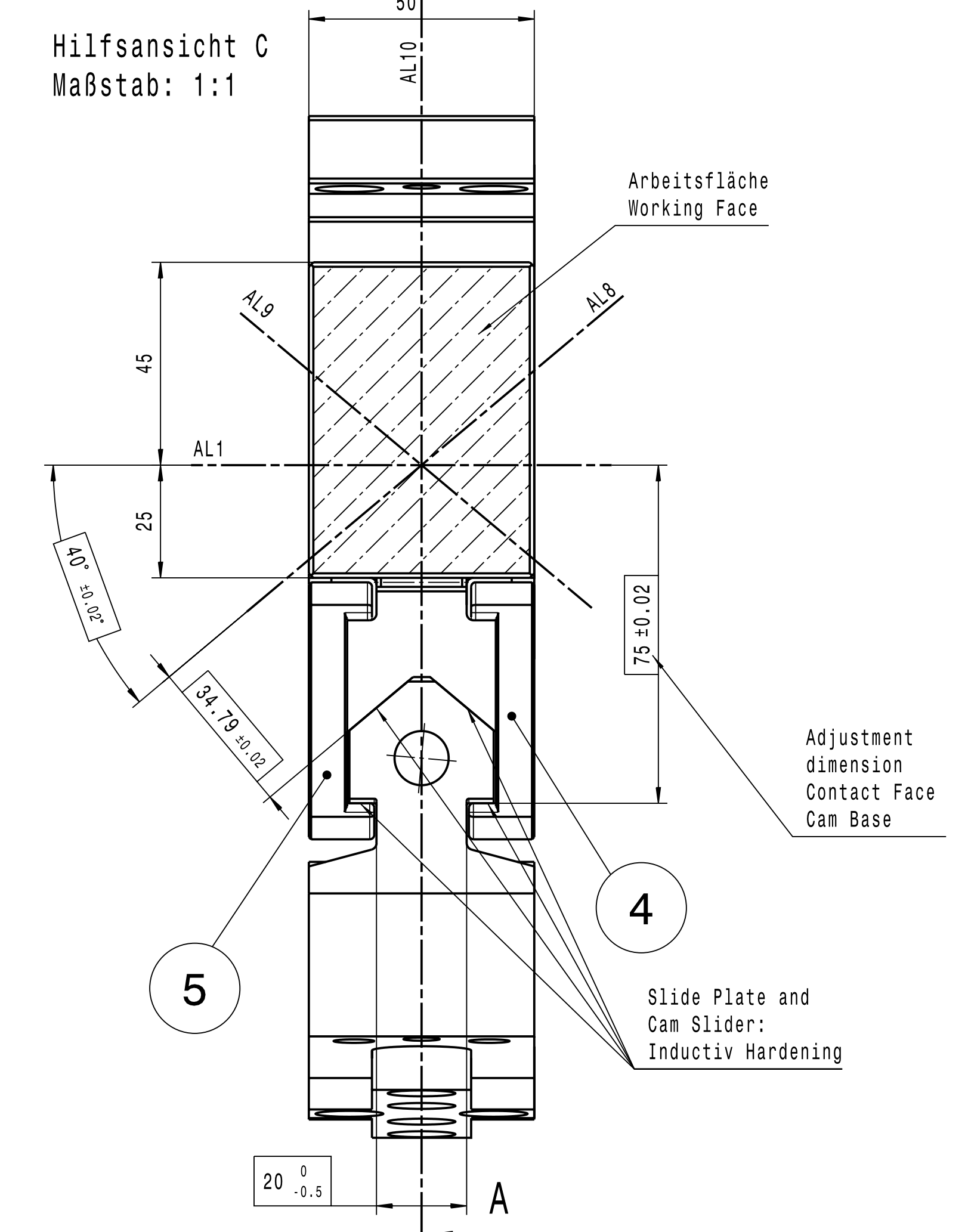
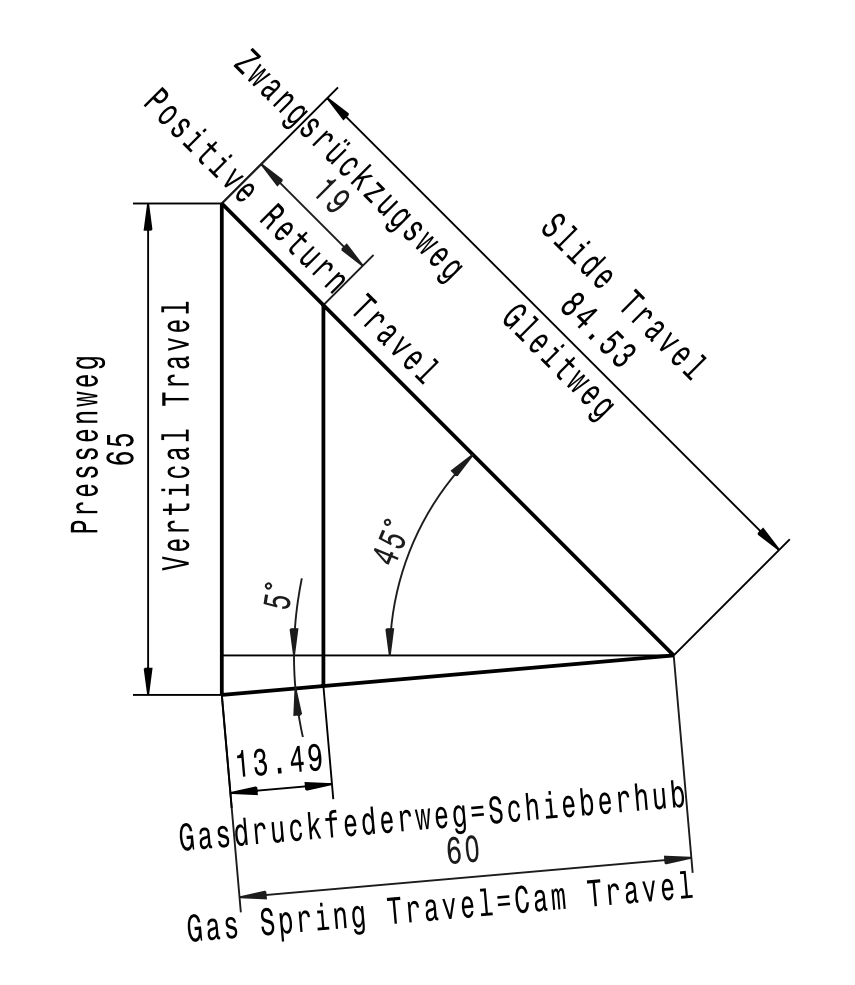
Screw tolerance: ±0,2  
 Locating pin tolerance: ±0,01



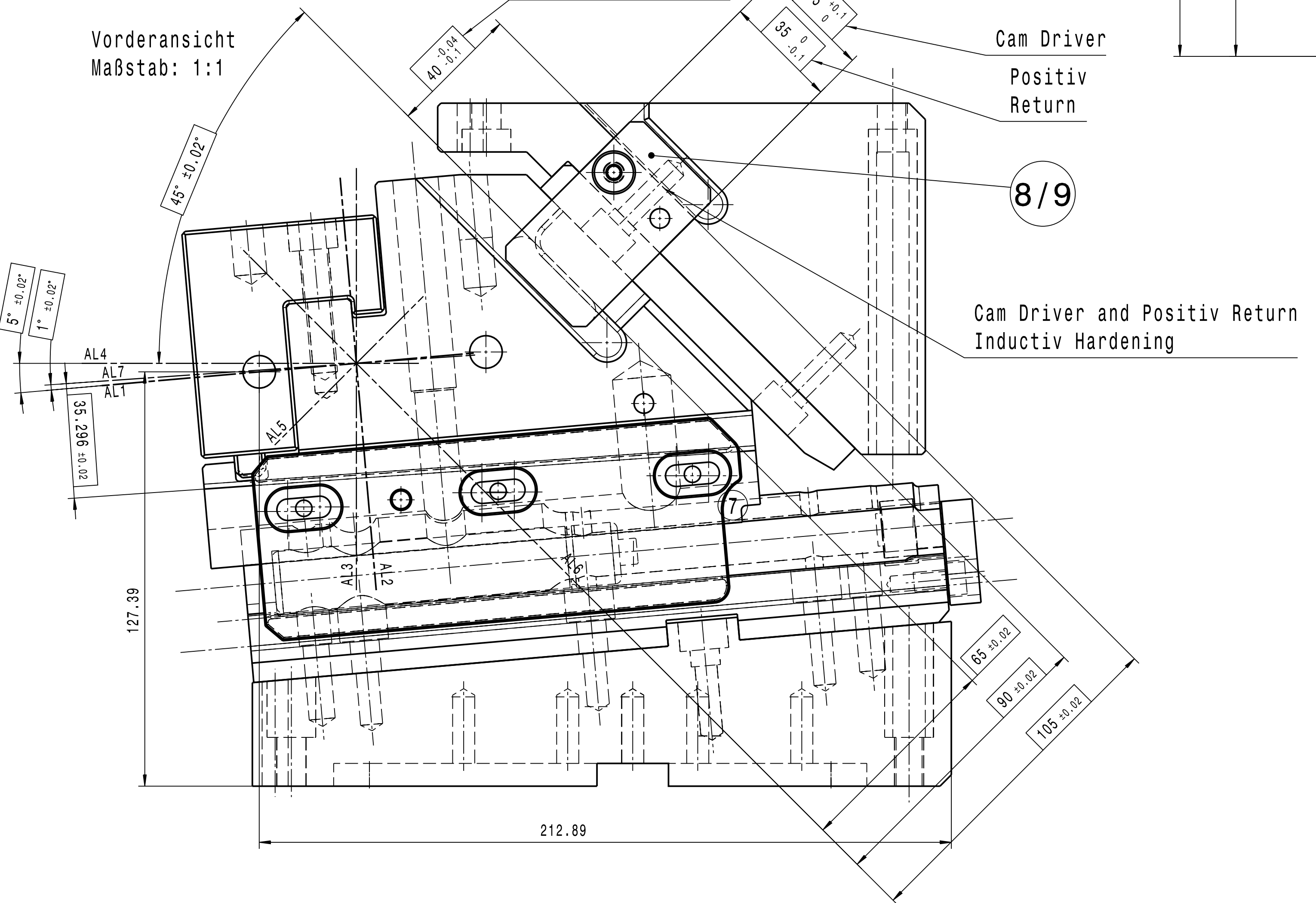
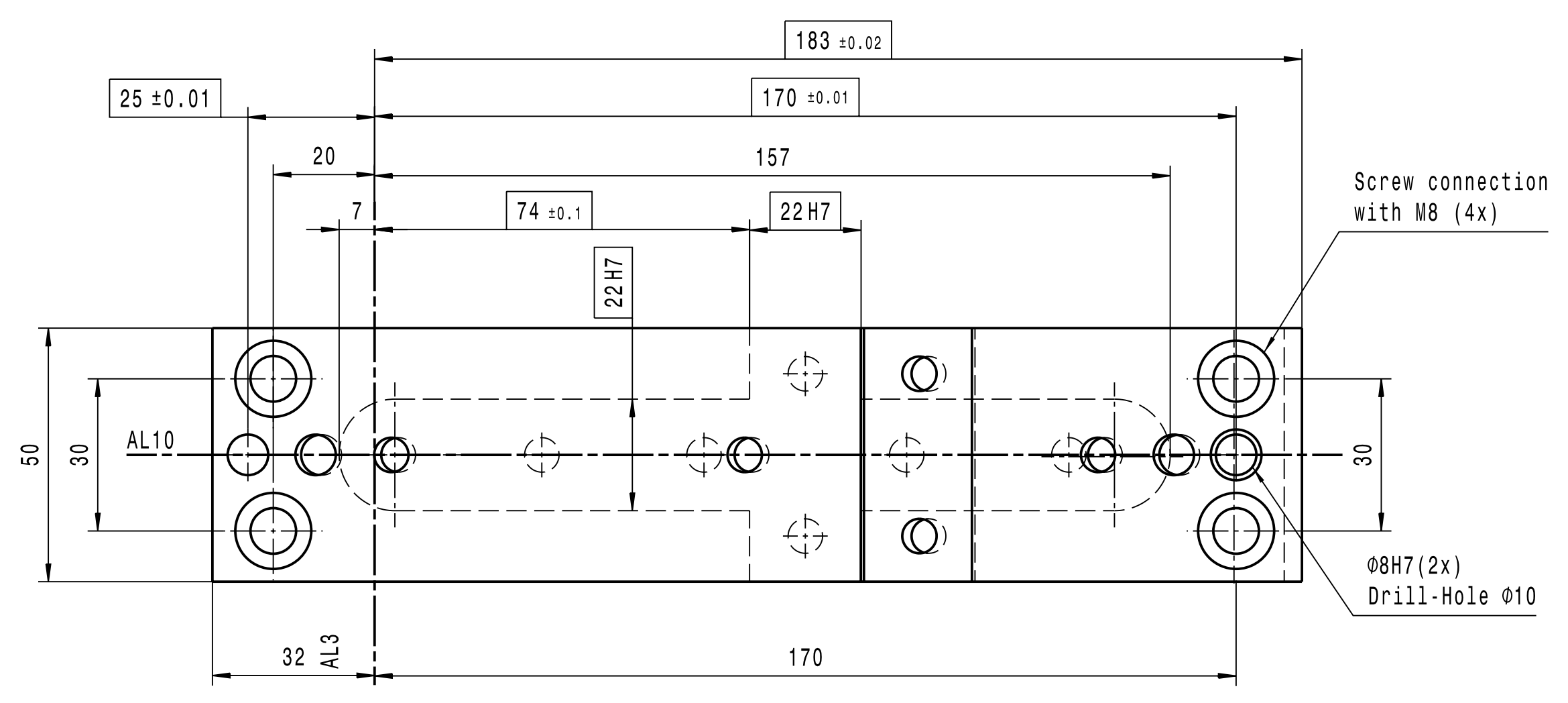
Isometrische Ansicht  
Maßstab: 1:2



SCHIEBERDIAGRAMM  
CAM DIAGRAM



PLAN VIEW  
Adapter Platte



roh ( Rz 100 Rz 25 Rz 6,3 )

Technische Daten / Specification:  
 Schieberweg / Travel of Cam: 60mm  
 Arbeitsfläche / Working Face: 70x50mm  
 Abstreifkraft / Retractility: 0,9 kN

Attention!  
 Difference between BS and HS:  
 The sliding surfaces from slider  
 (BS-UT) are not hardened

Component Parts: 22512 (HS-UT)		28401 (BS-UT)				
Pos.-No.	Anzahl	Bezeichnung	Material	Hersteller	Id.-Nr.(HS)	Id.-Nr.(BS)
1	1	Cam Driver (HS:BS-UT-50-51*60HUB)	1.7225	voestalpine	HB104223	HB104223
2	1	Cam Slider (HS:BS-UT-50-51*10*60HUB)	0.7070 (Casting 105816 BS/HS-60/50-0°-10°60HUB)	voestalpine	H105852	B105852
3	1	Cam Base (HS:BS-UT-50-51*10*60HUB)	WF 750/1A (roh:58x60x225)	voestalpine	HB21304	HB21304
4	1	Side Plate (L)	1.7225 (150x75x14,5)	voestalpine	104219	104219
5	1	Side Plate (R)	1.7225 (150x75x14,5)	voestalpine	104220	104220
6	1	Wear Plate	WF 750/1A (125x40x12)	voestalpine	18222	18222
7	1	Gas Spring Ejector	C-090-063-sw (Ø19 Hub 63 effektiv 62)	DADCO	101544	101544
8	1	Positive Return (L)	1.7225 (35x10x60)	voestalpine	104047	104047
9	1	Positive Return (R)	1.7225 (35x10x60)	voestalpine	104046	104046
10	1	Stop Bolt	1.7225	voestalpine	104042	104042
11	1	Damping Element	PUR Ø10x25	voestalpine	101498	101498
12	4	Fitting Key	1.0503.07 (14x22x50)	voestalpine	104225	104225
13	1	Mounting Plate	1.7225 (50x70x59)	voestalpine	105842	105842
14	1	Stop Plate	1.7225 (32x22x28)	voestalpine	103993	103993
15	1	Adapter Plate	1.7225	voestalpine	104224	104224
16						
17						
18						
19						
20						
21						
22						

voestalpine  
Giesserei Linz GmbH

Position: Amount: Material:  
 Description: Die Mount Cam

08  
07  
06  
05  
04  
03  
02  
01

Date Name  
 Bearbeitet  
 Geprüft  
 Norm

ISO 2768  
 Scale: 1:1  
 Drawing-Number: 60 Stroke  
 Assembly

Index-No.: 08

Zu: Modification Date Name Dateiname: HS\_BS\_UT\_0050\_05\_IND\_08\_22512\_28401\_HUB\_60\_2013\_07\_09\_MEM