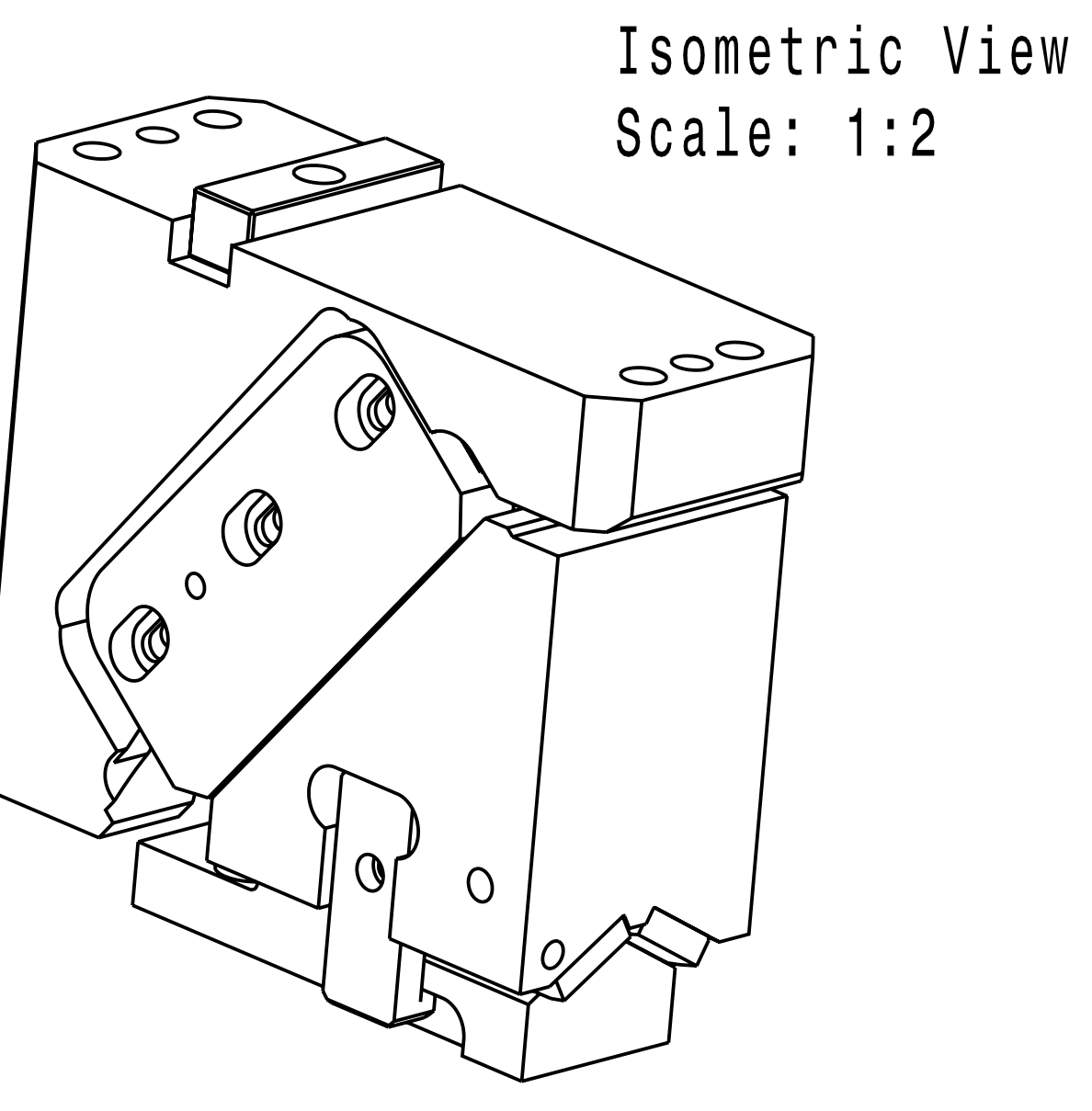
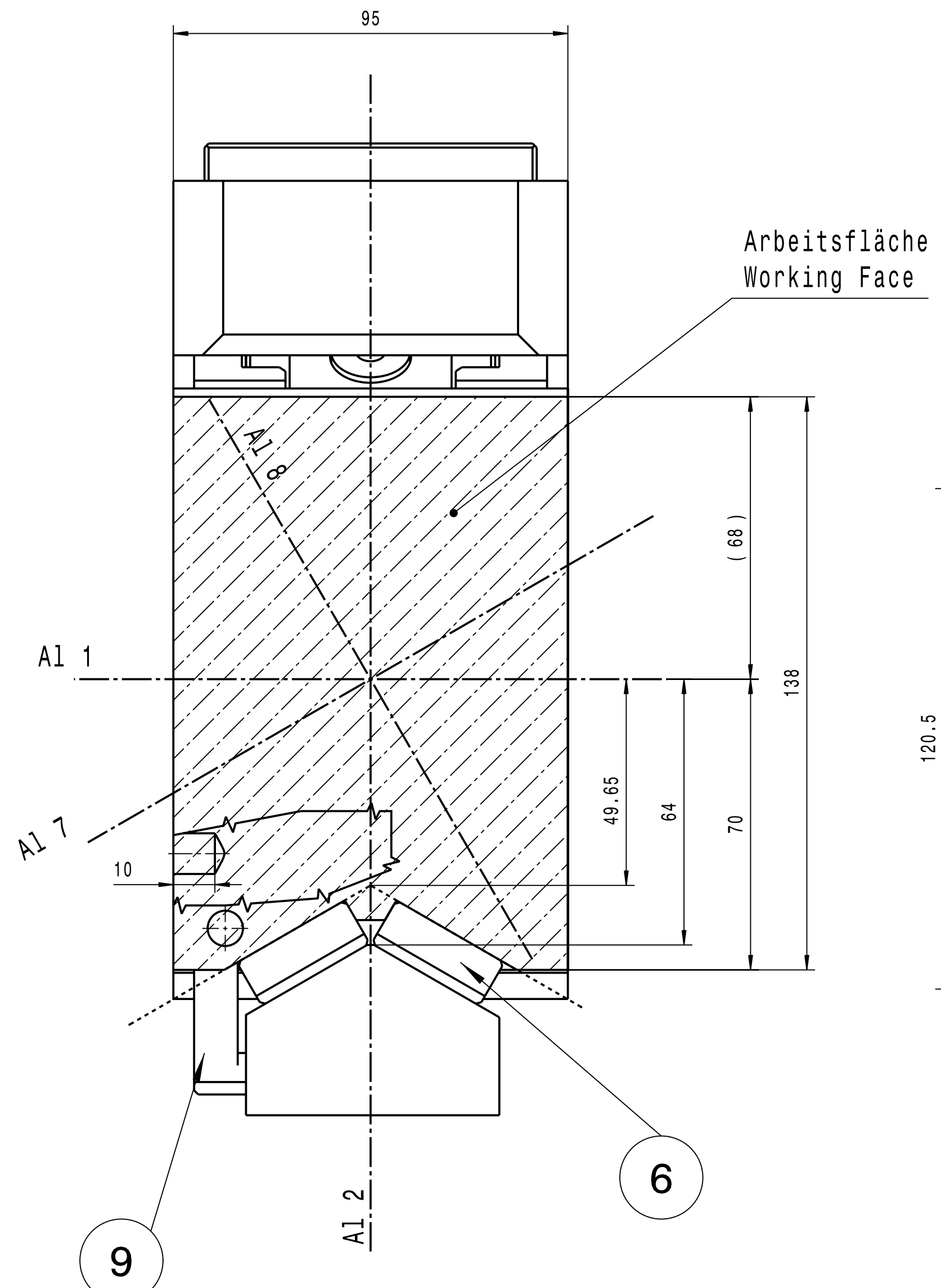


Fastening Screw Thread	Dimension	Diese Zeichnung ist geistiges Eigentum der voestalpine Gießerei Linz GmbH. Eine Weitergabe an Dritte ohne unsere Zustimmung ist nicht erlaubt. This drawing is intellectual property of voestalpine Gießerei Linz GmbH. A transfer to a third party without our agreement is not allowed.
Fitting Key	1 x M 8 x 15	
Wear Plate Cam Base	4 x M 8 x 12	
Wear Plate Cam Slider	4 x M 8 x 12	
Slide Plate	6 x M 8 x 12	
Positiv Return	1 x M 6 x 12	

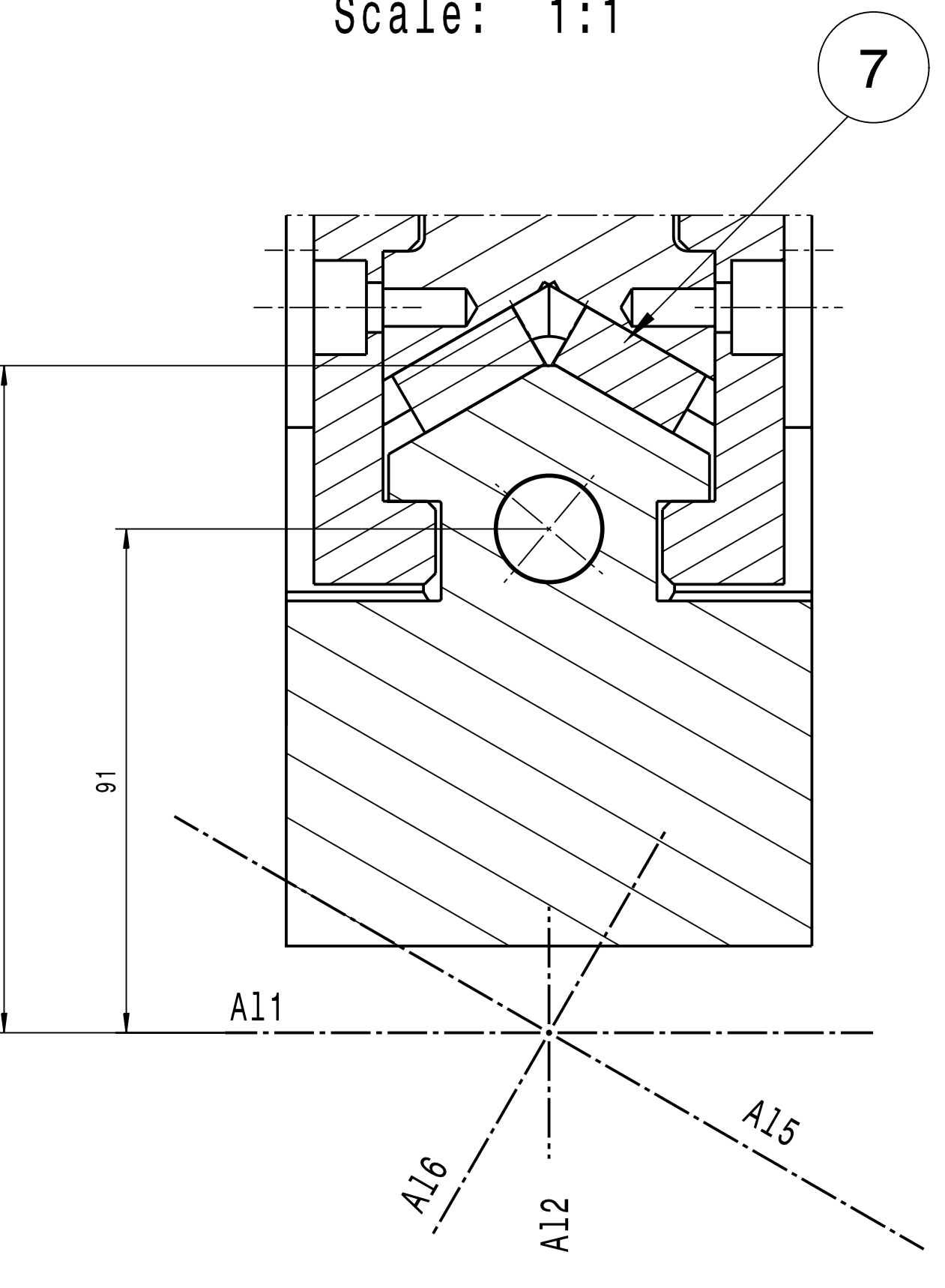
Screw tolerance: ±0,2
Locating pin tolerance: ±0,01



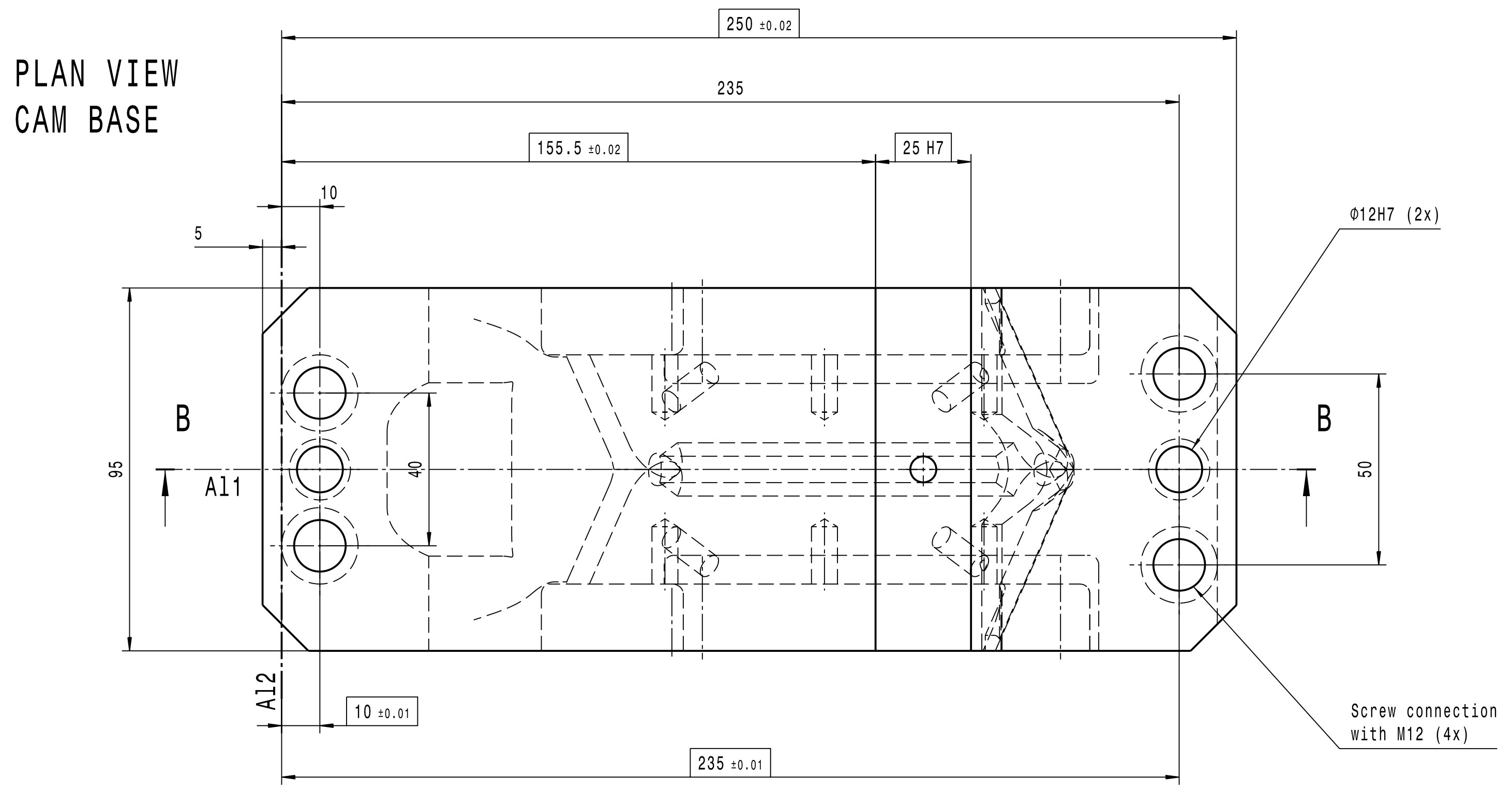
View X
Scale: 1:1



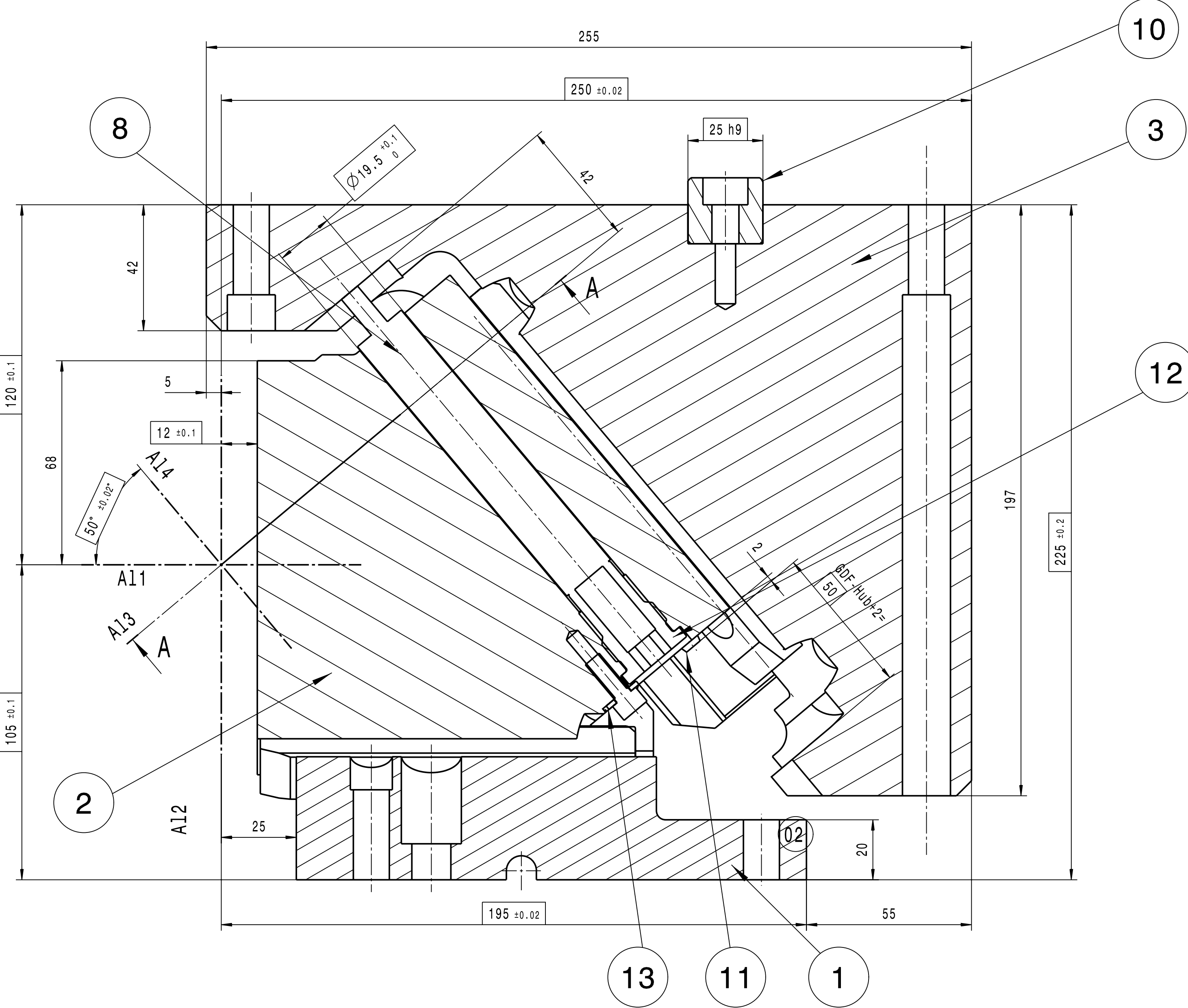
Section A-A
Scale: 1:1



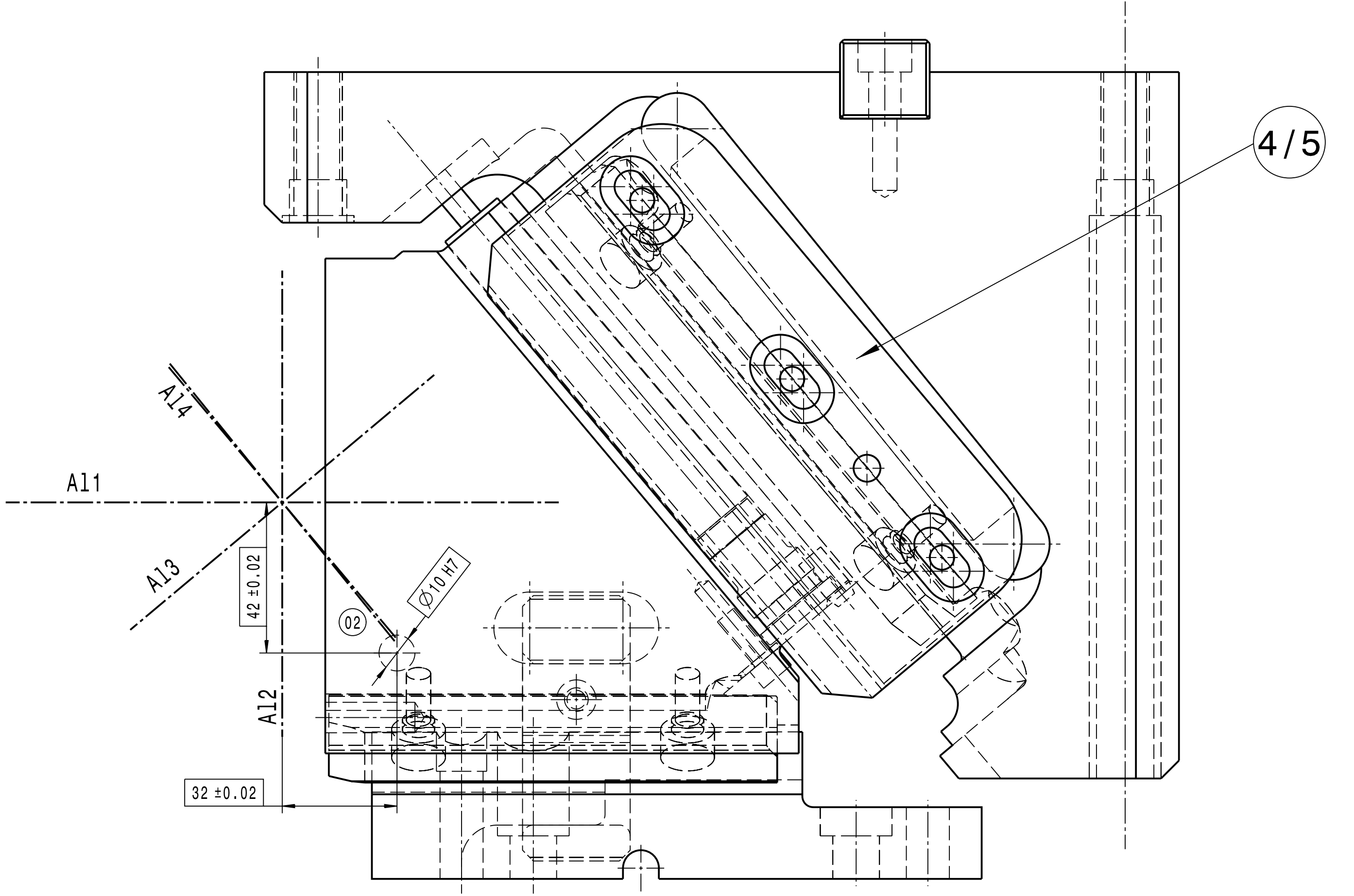
PLAN VIEW
CAM BASE



Section B-B
Scale: 1:1

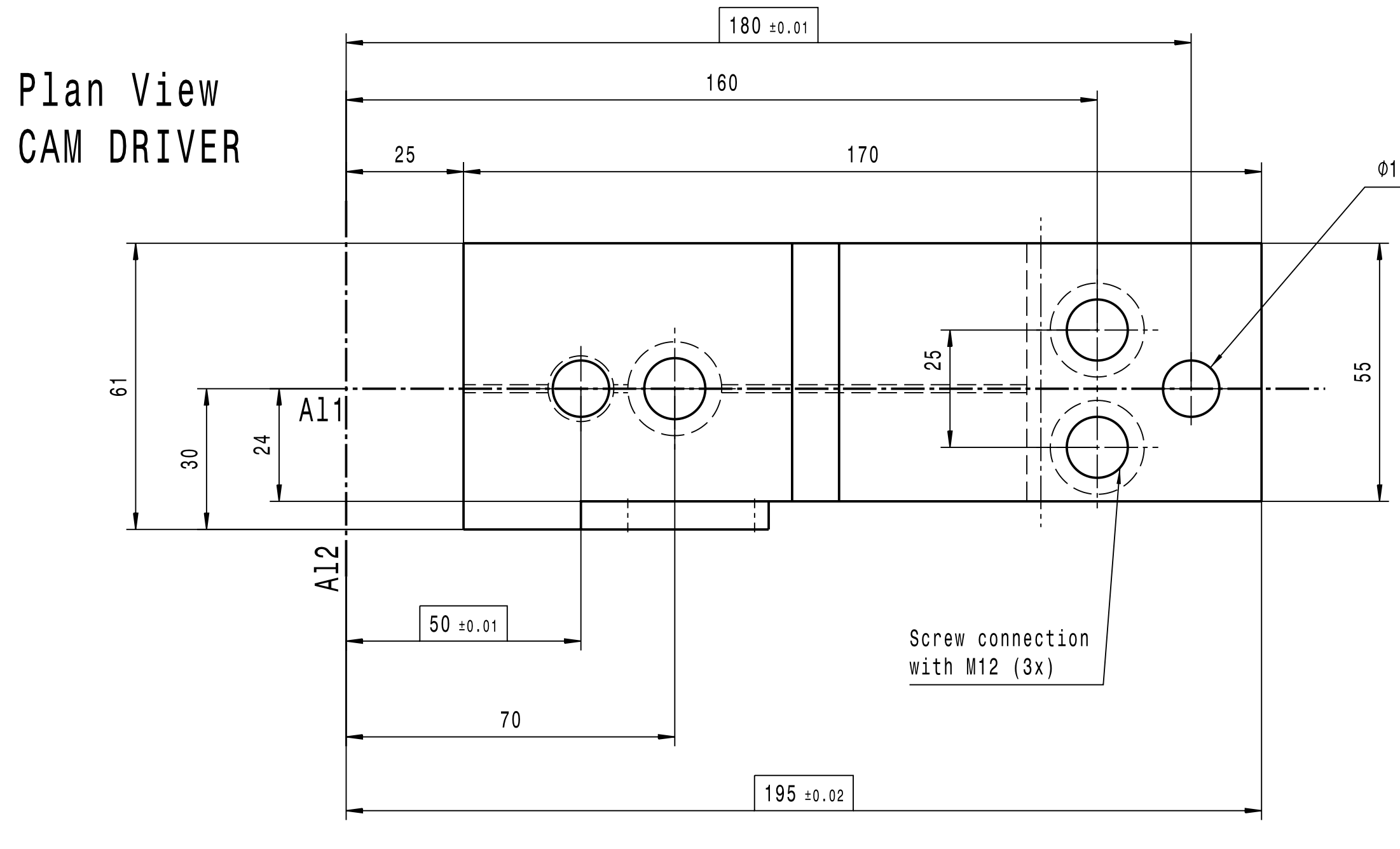


Front View
Scale: 1:1



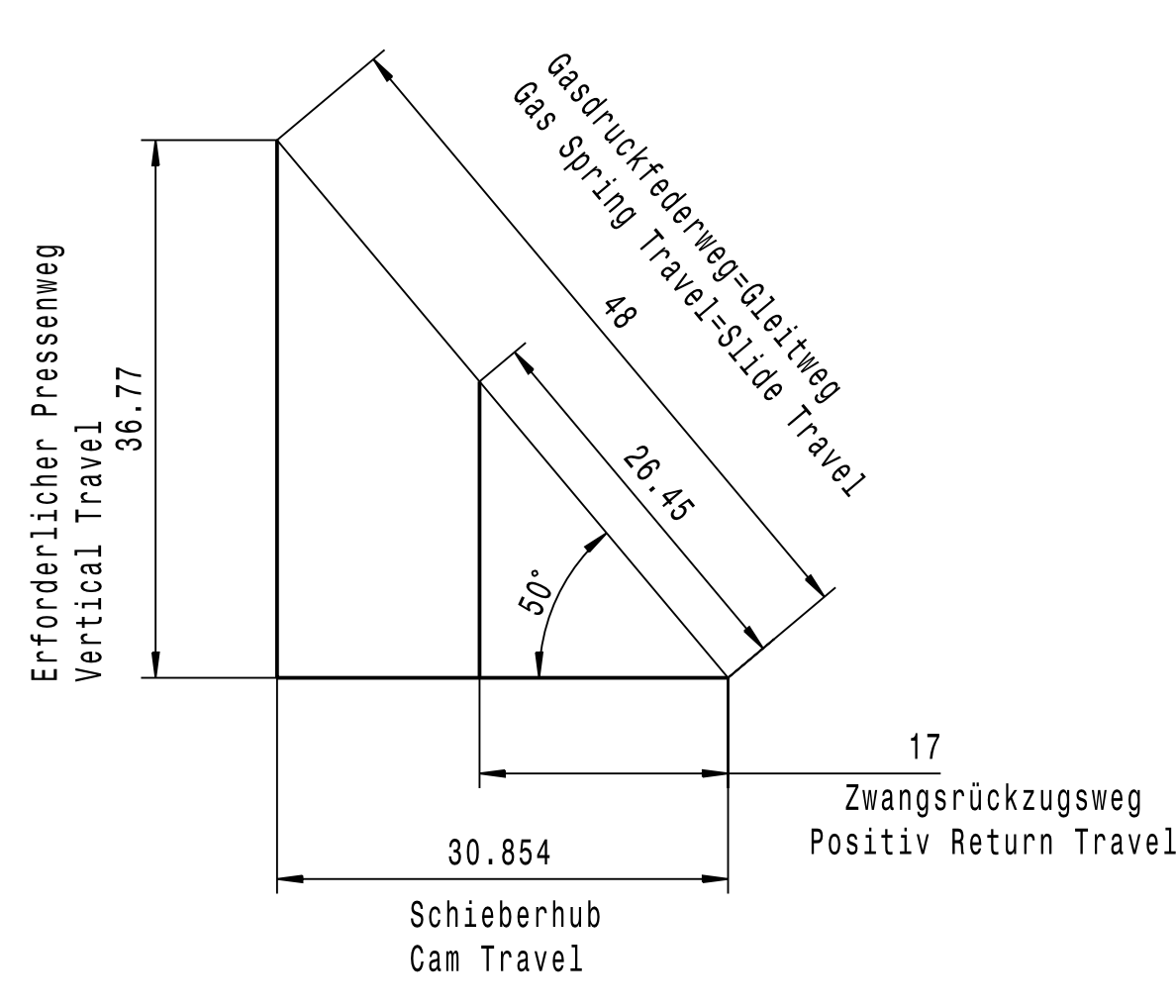
View "x"

Plan View
CAM DRIVER



Isometric View
Scale: 1:2

SCHIEBERDIAGRAMM
CAM DIAGRAMM
Maßstab 2:1



\sqrt{roh} ($\sqrt{Rz 100}$ $\sqrt{Rz 25}$ $\sqrt{Rz 6,3}$)

Technische Daten / Specification:
Schieberweg / Travel of Cam: 30,8mm
Arbeitsfläche / Working Face: 138x95mm
Gasfederrückzugskraft / Stripper Force min.: 750N

Component Parts: 29040

Pos.-No.	Anzahl	Bezeichnung	Material	Hersteller	Id.-Nr.
1	1	Cam driver	min. 400 MPa (Casting 107717 IND.C)	voestalpine	108132
2	1	Cam Slider	min. 400 MPa (Casting 108025 IND.B)	voestalpine	108133
3	1	Cam Base	min. 400 MPa (Casting 107720 IND.B)	voestalpine	108134
4	1	Side Plate (L)	WF 750/1A - (75x165x22)	voestalpine	23136
5	1	Side Plate (R)	WF 750/1A - (75x165x22)	voestalpine	23137
6	2	Wear Plate (A)	WF 750/1A (30x12x125)	voestalpine	18212
7	2	Wear Plate (B)	WF 750/1A (25x12x160)	voestalpine	18209
8	1	Gas Spring Ejector	Ø19/ L=172/ Stroke=63/ F=min.750 N	voestalpine	101544
9	1	Positiv Return	min. 400 MPa - (30x74x16.5)	voestalpine	108370
10	1	Fitting Key	1.0503.07 (22x25x80)	voestalpine	23390
11	2	Damping Element	PUR(Ø8x16)	voestalpine	102875
12	1	Lock Screw	min. 400 MPa - M2x1,5 (Ø25x36)	voestalpine	108890
13	1	Lock Washer	DIN 125 (6,4)	voestalpine	105553
14	1
15	1
16	1
17	1
18
19
20
21
22

Pos.	Date	Name	Discription	Ident.-No.
08				
07		Bearbeitet	2010-01-21	Kolli
06		Geprüft		
05		Norm		
04				
03	03	2012-10-02	SCHWER	ISO 2768
02	02	2011-05-12	RIESS	1:1
01	01	2010-05-04	SCHWER	

03 Pos.02 Cam Slider:
Casting No.: changed to 108025 IND. B
Pos.12 Lock screw:
ID. No.: changed to 108890

02 Pos.02 Cam Slider:
Slot hole added on the working face
Pos.01 Cam Driver:
Slot added on the lower side.
Radius removed from the shoulder face.

01 Pos.01 Cam Driver:
Casting modification
Pos.02 Cam Slider:
Clearance between Lock Screw and Safety screw
from 0,5mm into 0,6mm changed!