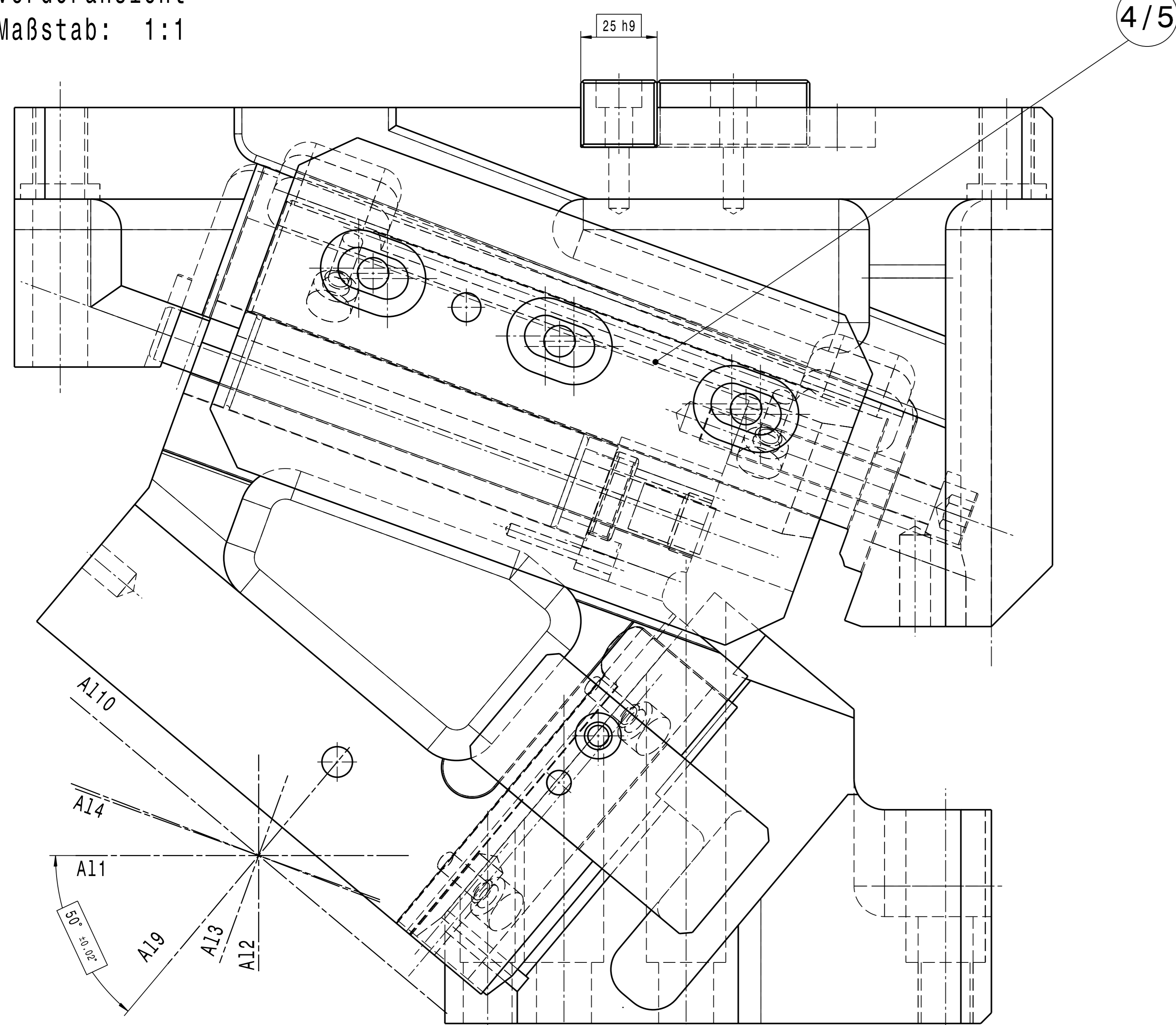
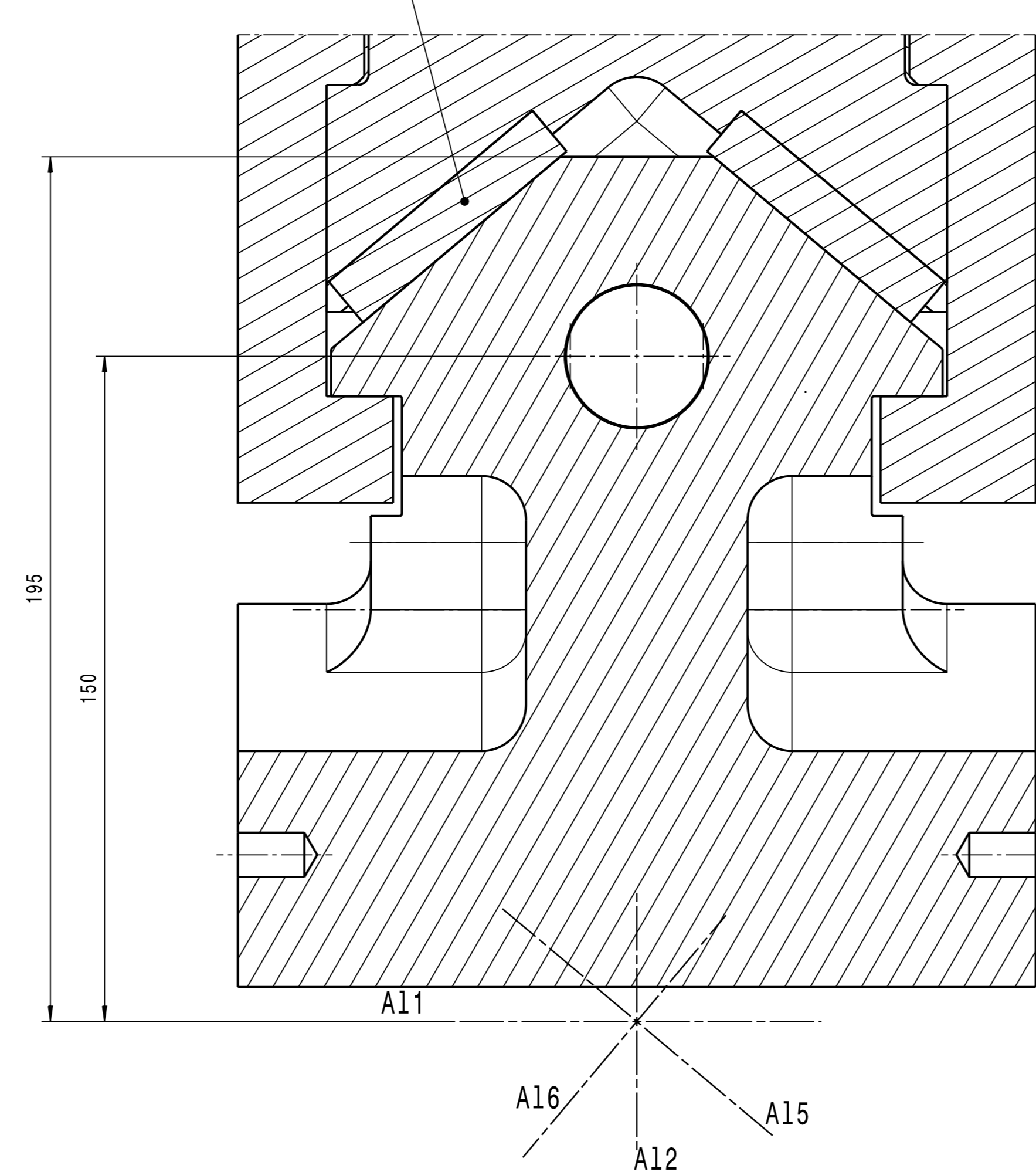


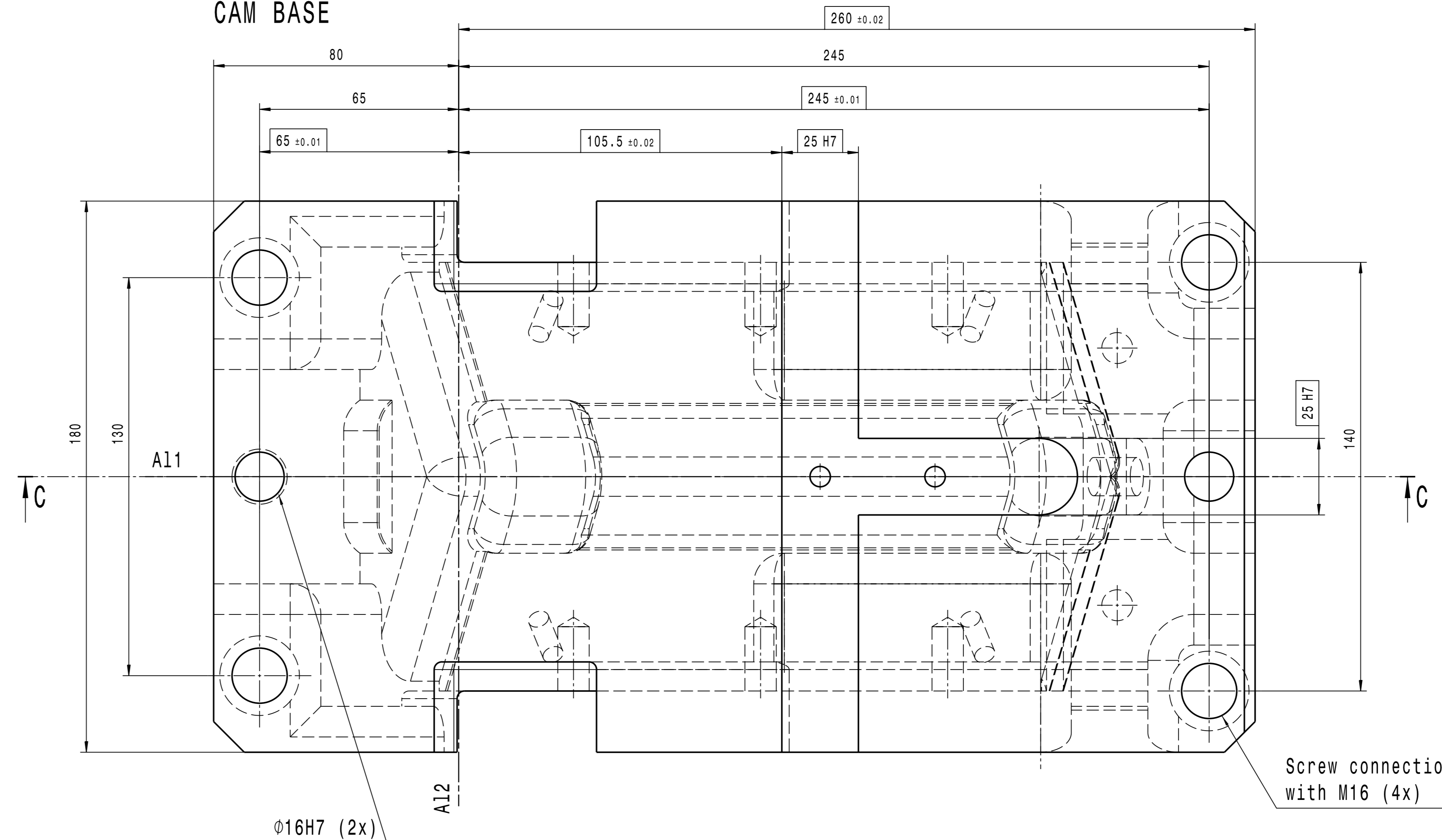
Vorderansicht
Maßstab: 1:1



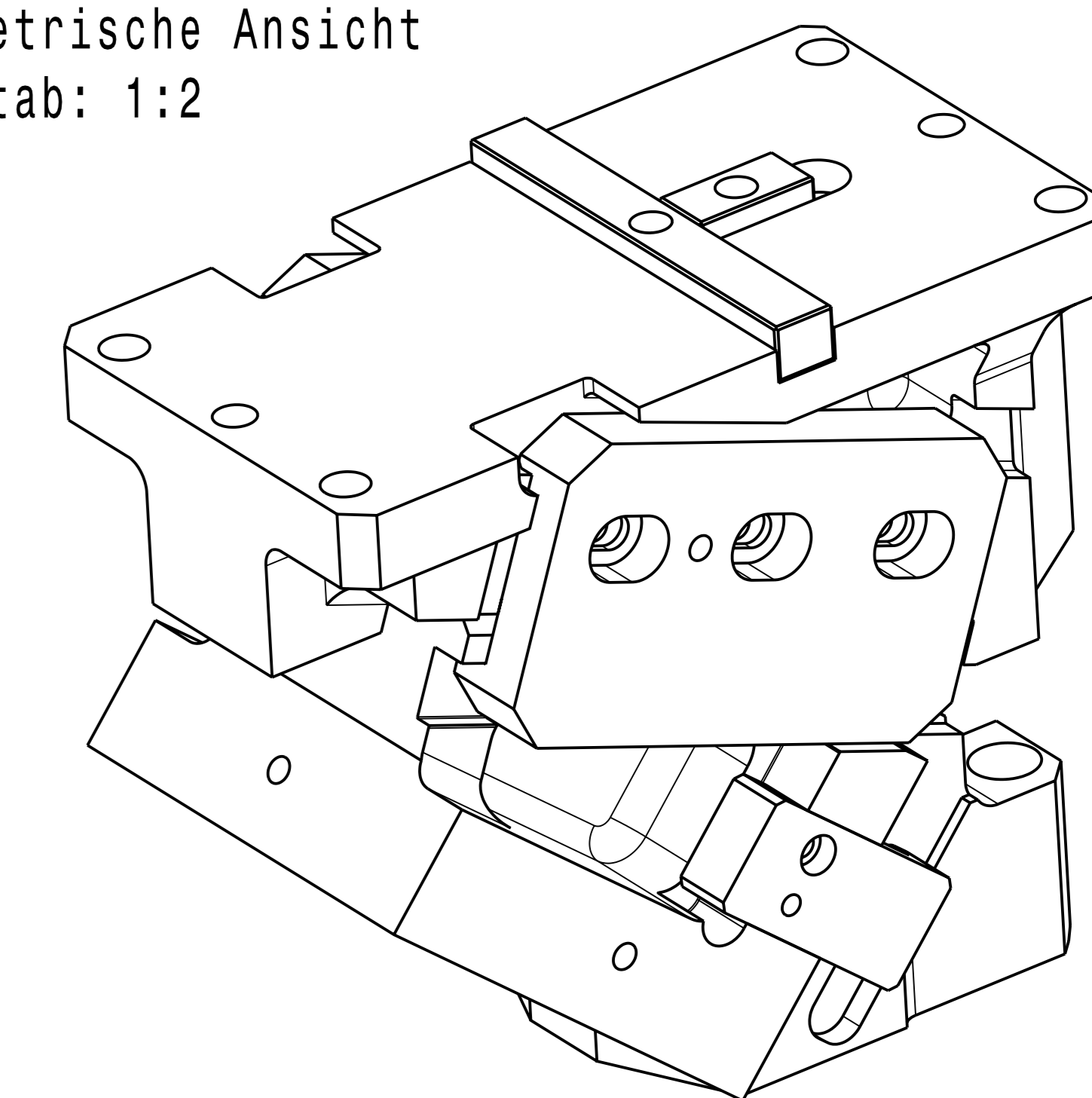
Schnitt D-D
Maßstab: 1:1



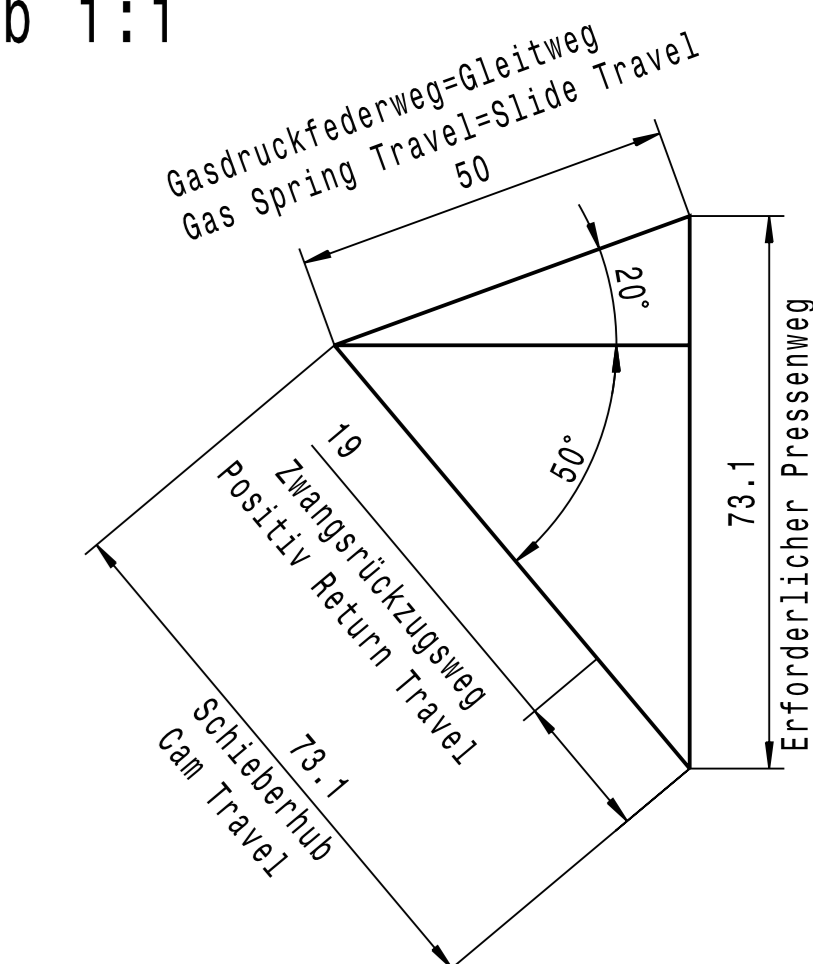
PLAN VIEW
CAM BASE



Isometrische Ansicht
Maßstab: 1:2



SCHIEBERDIAGRAMM
CAM DIAGRAM
Maßstab 1:1



\sqrt{ra} ($\sqrt{Rz 100}$ $\sqrt{Rz 25}$ $\sqrt{Rz 6,3}$)

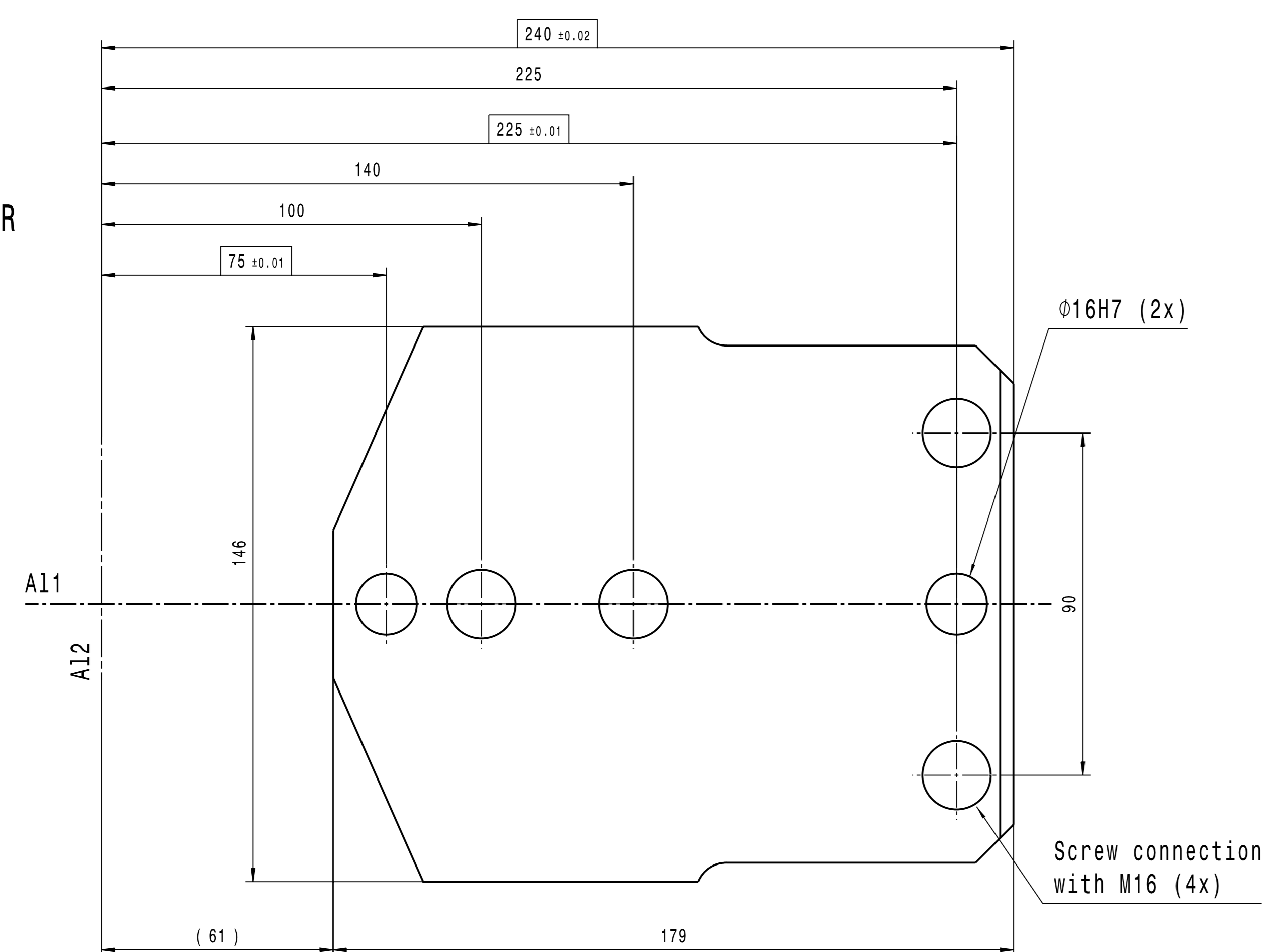
Technische Daten / Specification:
 Schieberweg / Travel of Cam: 73,1mm
 Arbeitsfläche / Working Face: 190x180mm
 Gasfederrückzugskraft / Stripper Force min.: 265daN
 oder
 Gasfederrückzugskraft / Stripper Force min.: 500daN

Component Parts: 23470

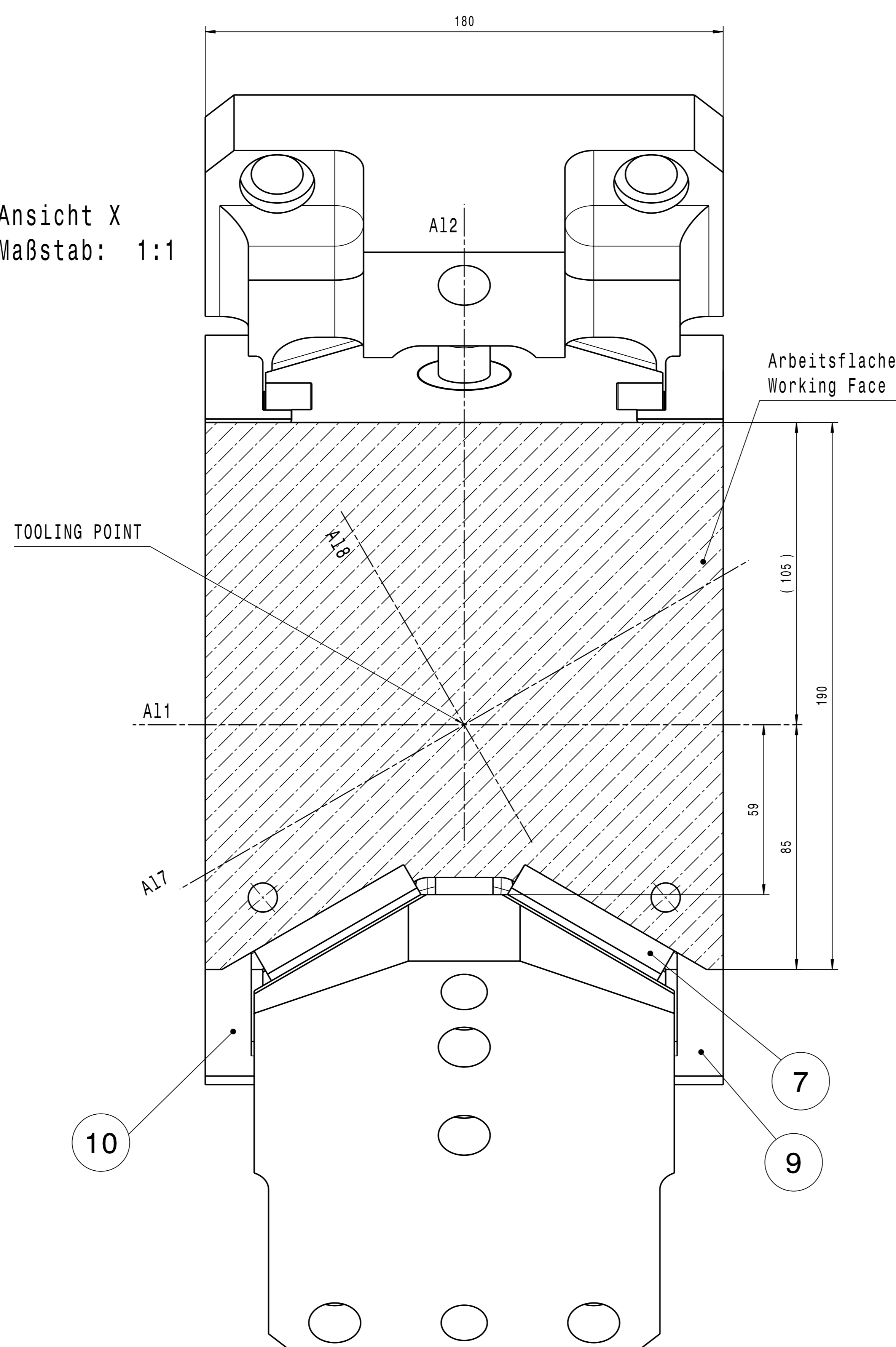
| Pos.-No. | Anzahl | Bezeichnung | Material | Hersteller | Id.-Nr. |
|----------|--------|--------------------|--------------------------------------|-------------|---------|
| 1 | 1 | Cam Driver | 0.7070 | voestalpine | 103261 |
| 2 | 1 | Cam Slider | 0.7070 | voestalpine | 103259 |
| 3 | 1 | Cam Base | 0.7070 | voestalpine | 103263 |
| 4 | 1 | Side Plate (L) | WF 750/1A (115x200x35) | voestalpine | 23267 |
| 5 | 1 | Side Plate (R) | WF 750/1A (115x200x35) | voestalpine | 23266 |
| 6 | 2 | Wear Plate (A) | WF 750/1A (60x12x200) | voestalpine | 18234 |
| 7 | 2 | Wear Plate (B) | WF 750/1A (60x12x180) | voestalpine | 18232 |
| 8 | 1 | Gas Spring Ejector | C.250.080.SW.150 Ø32 Hub 80 / eff 50 | DADCO | 101570 |
| 9 | 1 | Positiv Return (R) | 1.7225 (45x95x25) | voestalpine | 105477 |
| 10 | 1 | Positiv Return (L) | 1.7225 (45x95x25) | voestalpine | 103224 |
| 11 | 2 | Damping Element | PUR(Ø16x25) | voestalpine | 101512 |
| 12 | 1 | Lock Plate | 1.7225 (Ø38x8) | voestalpine | 105478 |
| 13 | 1 | Fitting Key (A) | 1.0503.07 (22x25x180) | voestalpine | 23386 |
| 14 | 1 | Fitting Key (B) | 1.0503.07 (22x25x50) | voestalpine | 23387 |
| 15 | 1 | Safety Plate | 1.7225 (13x26x12) | voestalpine | 105738 |
| 16 | 1 | Lock Out Screw | DIN 912 M12x80 | voestalpine | 23789 |
| 17 | 1 | Lock Out Tube | 1.7225 (Ø20x3.5x54) | voestalpine | 23792 |
| 18 | 1 | Distance Tube | 1.7225 (Ø32x4x10) | voestalpine | 105501 |
| 19 | - | - | - | - | - |
| 20 | - | - | - | - | - |
| 21 | - | - | - | - | - |
| 22 | - | - | - | - | - |

| | | | | | |
|------------------------------------|------------|------------|--|------------|-----------------|
| voestalpine Giesserei Linz GmbH | | Revision: | Amount: | Material: | Sheet No.: |
| 08 | Date | Name | Description: | Sheet No.: | |
| 07 | Bezeichnet | | Aerial Cam KS-OT 180-50° 73,1 Stroke | Sheet No.: | |
| 06 | geprüft | | | 23470 | |
| 05 | norm | | | | |
| 04 | ⑨ | 2015-04-08 | SCHNER | Scale: | Drawing Number: |
| 03 | ⑧ | 2014-01-27 | EISSNER | ISO 2768 | |
| 02 | ⑦ | 2013-12-06 | KIESSLER | m | 1:1 |
| 01 | ⑥ | 2007-03-21 | KIESSLER | | |
| Zu-Association | Date | Name | Dateiname: KS_OT_0180_50_INO_09_23470_HUB_73_1_2015_04_08_SCHNER | | |
| 16 | 17 | 18 | | | |

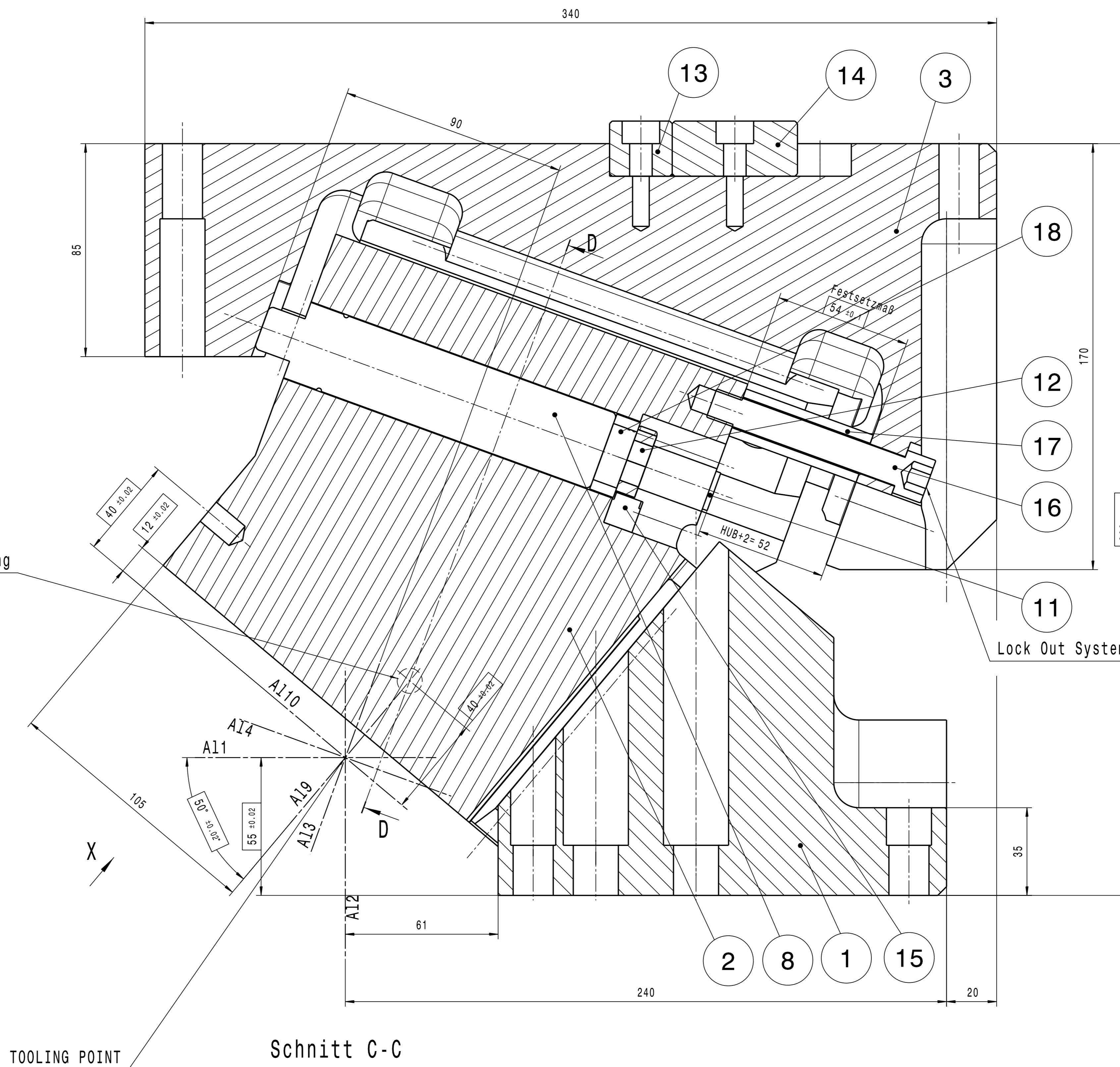
Plan View
CAM DRIVER



Ansicht X
Maßstab: 1:1



Schnitt C-C
Maßstab: 1:1



| | | | | | |
|----------------|------------|------------|--|------------|-----------------|
| 08 | Date | Name | Description: | Sheet No.: | |
| 07 | Bezeichnet | | Aerial Cam KS-OT 180-50° 73,1 Stroke | Sheet No.: | |
| 06 | geprüft | | | 23470 | |
| 05 | norm | | | | |
| 04 | ⑨ | 2015-04-08 | SCHNER | Scale: | Drawing Number: |
| 03 | ⑧ | 2014-01-27 | EISSNER | ISO 2768 | |
| 02 | ⑦ | 2013-12-06 | KIESSLER | m | 1:1 |
| 01 | ⑥ | 2007-03-21 | KIESSLER | | |
| Zu-Association | Date | Name | Dateiname: KS_OT_0180_50_INO_09_23470_HUB_73_1_2015_04_08_SCHNER | | |
| 16 | 17 | 18 | | | |