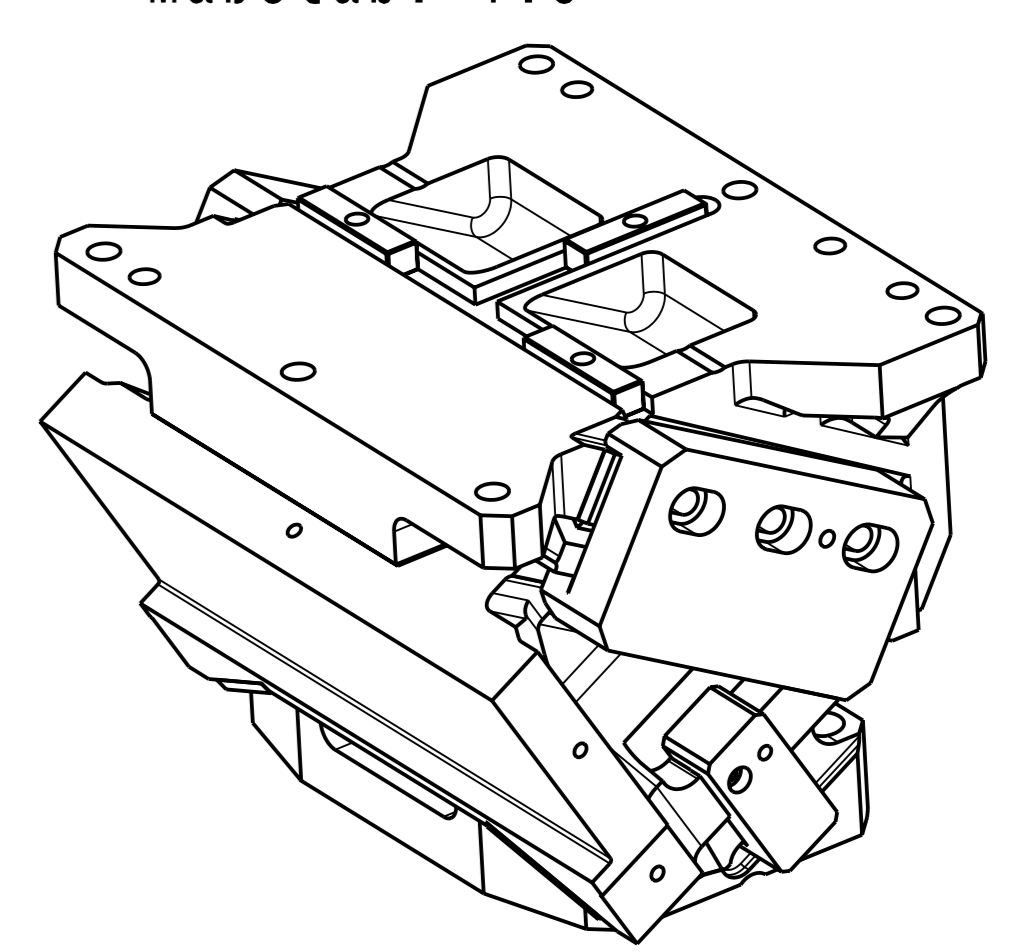
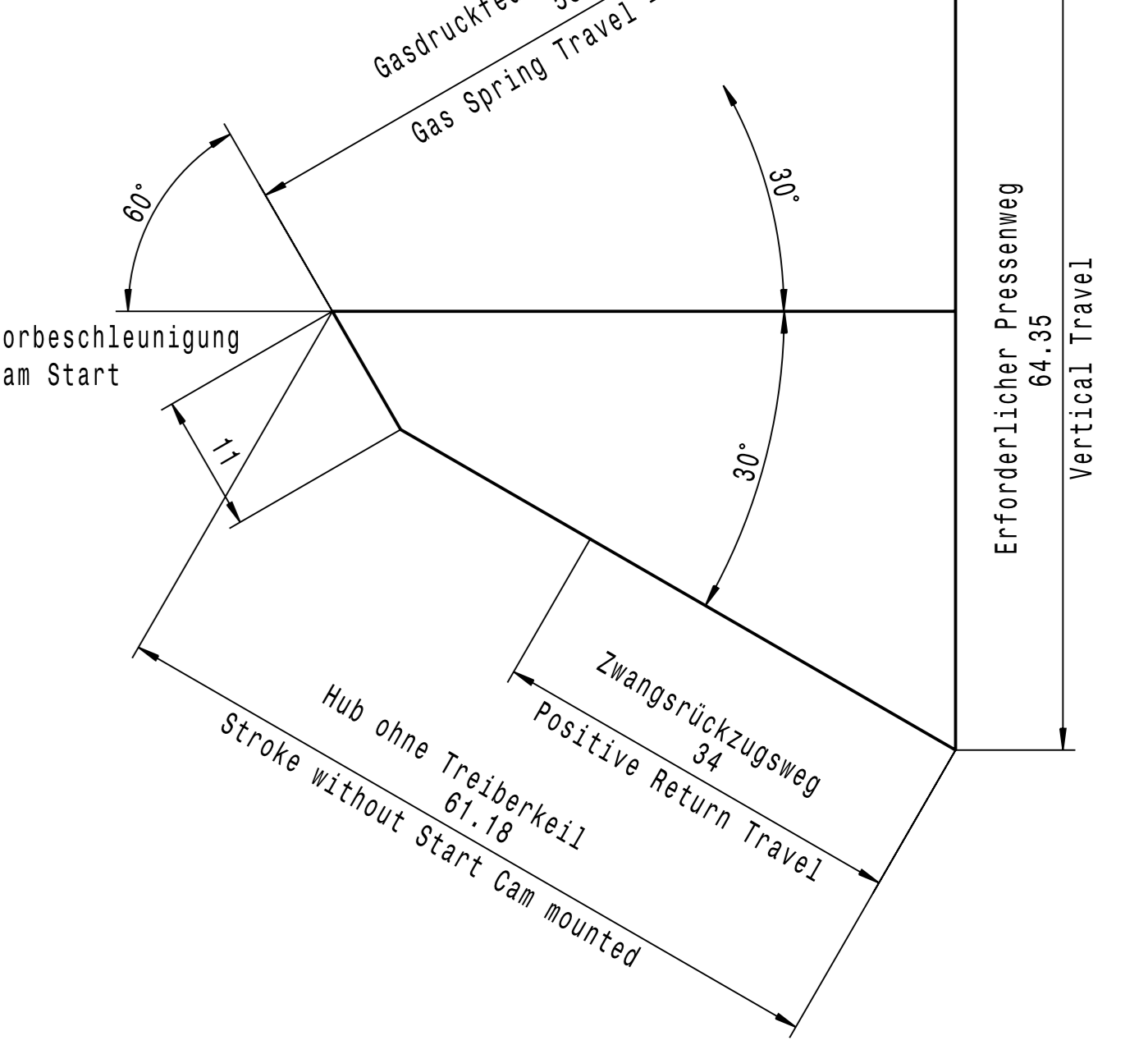


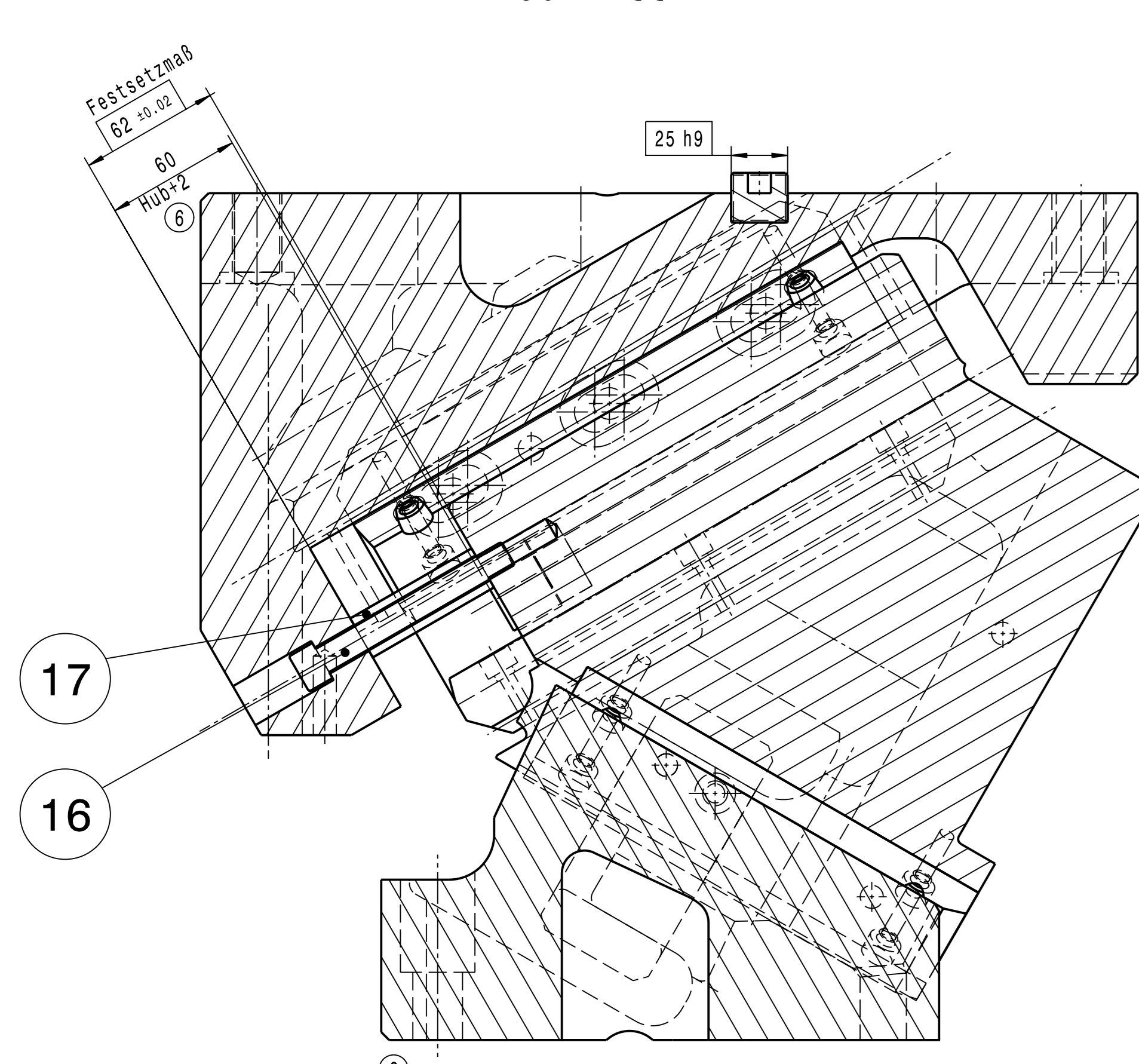
Isometrische Ansicht  
Maßstab: 1:5



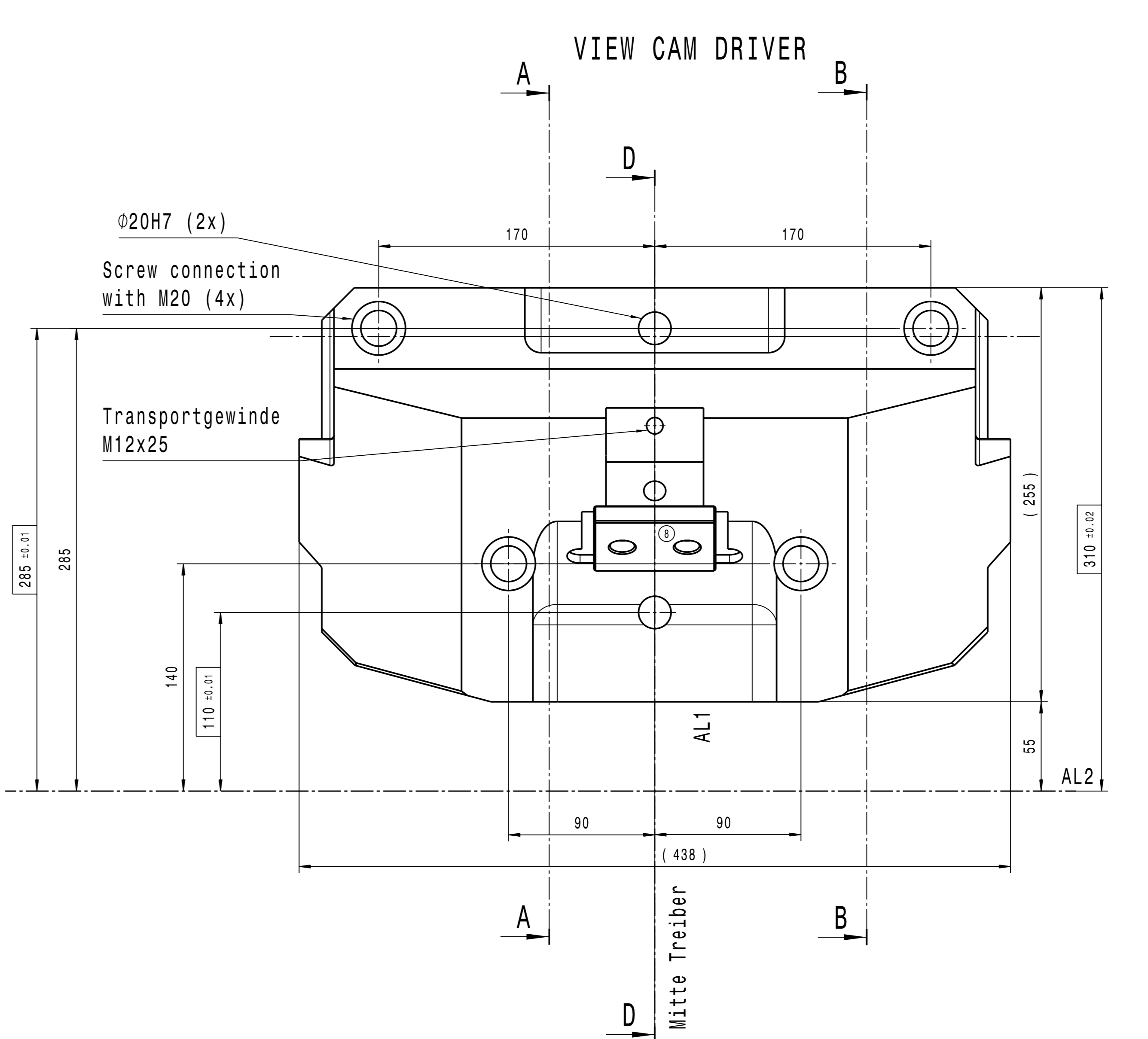
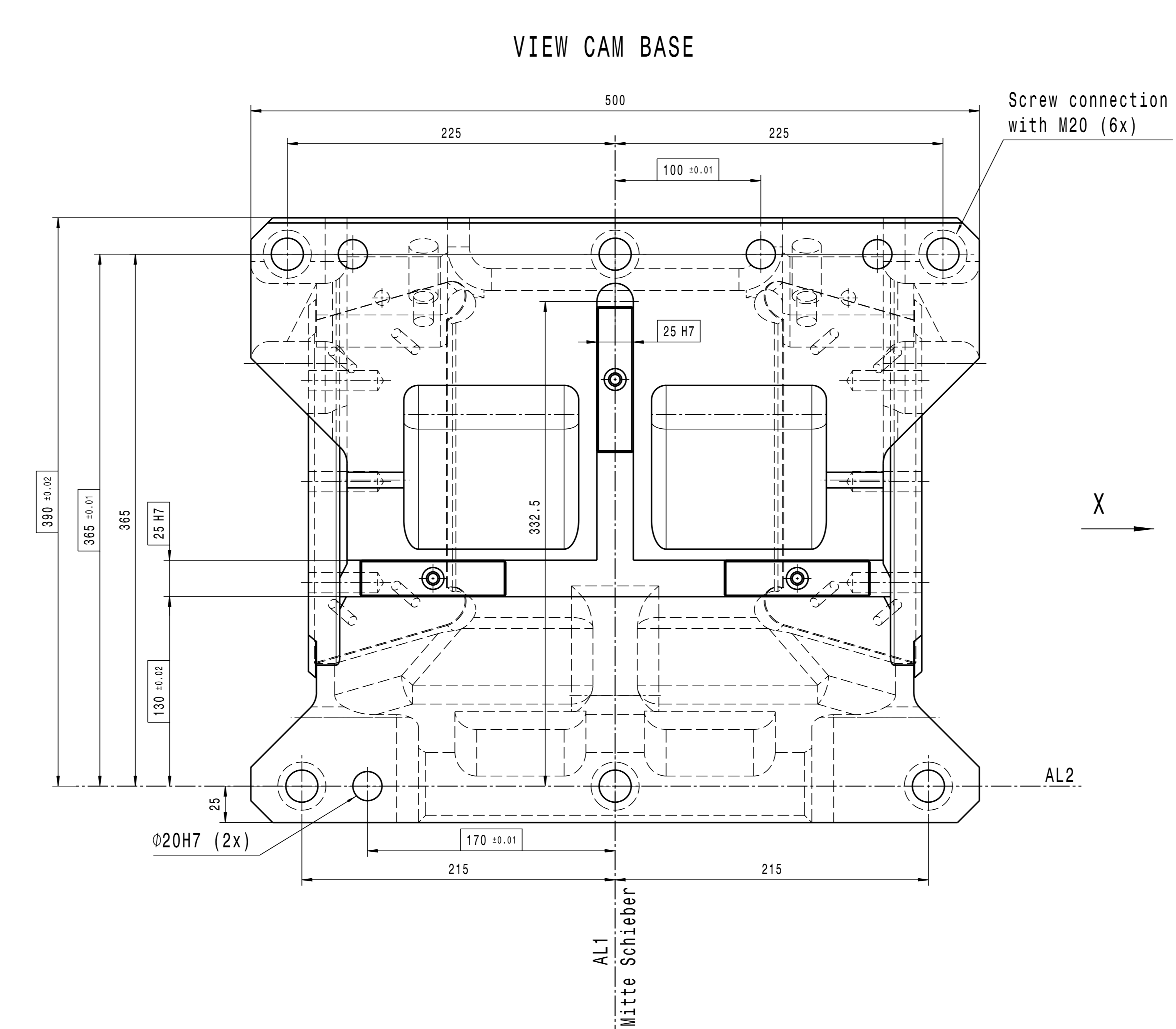
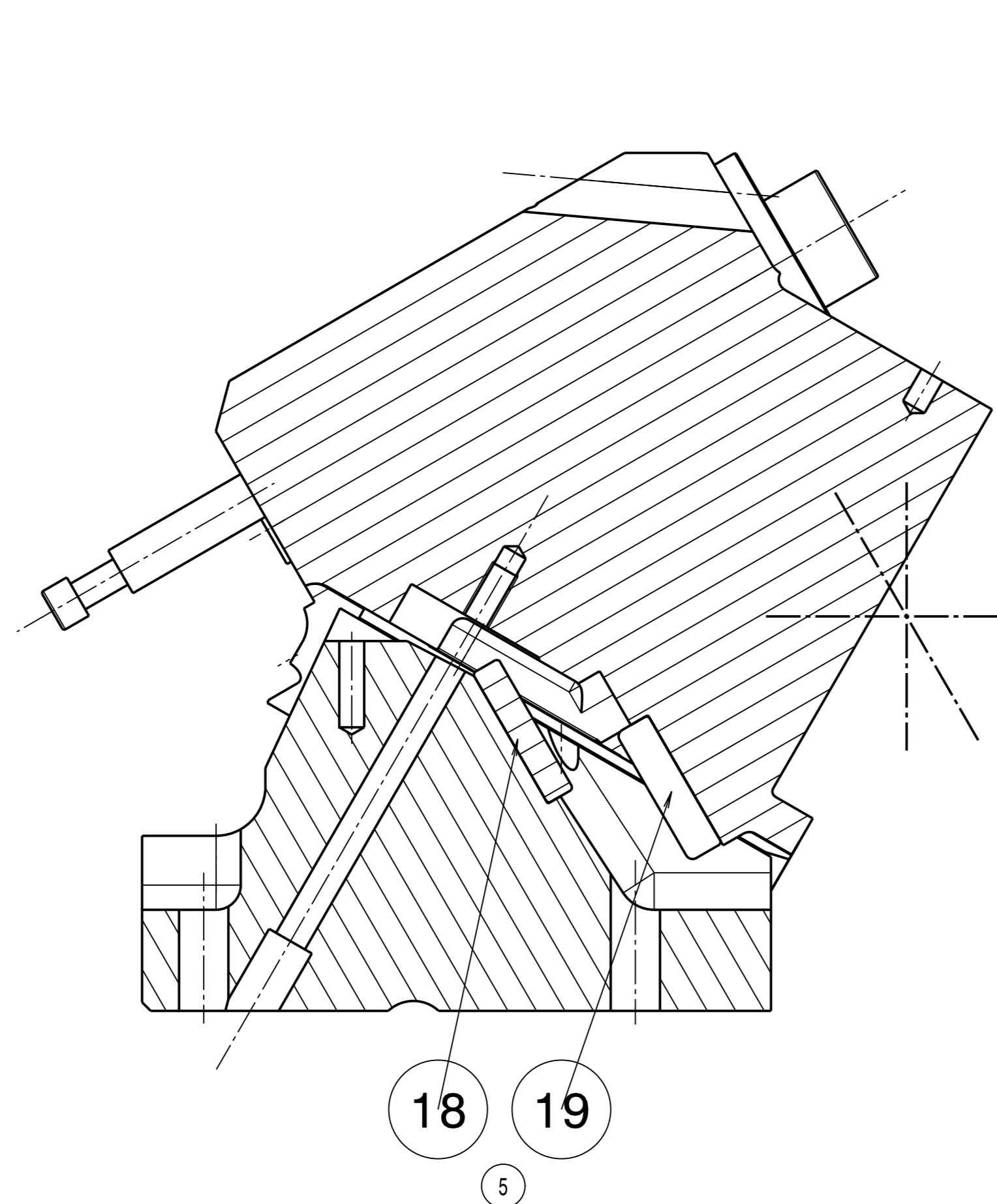
SCHIEBERDIAGRAMM  
CAM DIAGRAMM  
Maßstab 2:1



Schnitt B-B (Section B-B)



Schnitt D-D (Section D-D)  
Maßstab: 1:2



**Technische Daten / Specification:**  
 Schieberweg / Travel of Cam: 61,2mm  
 Arbeitsfläche / Working Face: 500x180mm  
 Gasfederrückzugskraft / Stripper Force min.: 7,1kN

Component Parts: 23543					
Pos.-No.	Anzahl	Bezeichnung	Material	Hersteller	Id.-Nr.
1	1	Cam Driver	0.7070 (Casting C_103758)	voestalpine	103760
2	1	Cam Slider	0.7070 (Casting C_103759)	voestalpine	103761
3	1	Cam Base	0.7070 (Casting C_103784)	voestalpine	103784
4	1	Side Plate (R)	1.7225 (145x65x250)	voestalpine	103559
5	1	Side Plate (L)	1.7225 (145x65x250)	voestalpine	103558
6	2	Wear Plate (B)	WF 750/1A (100x200x12)	voestalpine	18206
7	2	Wear Plate (A)	WF 750/1A (100x250x12)	voestalpine	18242
8	2	Gas Spring	Ø95 Hub80 (effective 58)	DADCO	101567
9	1	Positive Return(L)	1.7225 (120x50x55)	voestalpine	103560
10	1	Positive Return(R)	1.7225 (120x50x55)	voestalpine	105339
11	2	Damping Element	PUR(Ø32x40)	voestalpine	103561
12	2	Lock Plate	1.7225	voestalpine	103562
13	2	Wear Plate (C)	WF 750/1A (25x250x12)	voestalpine	18207
14	3	Fitting Key	1.0503.07 (25x22x100)	voestalpine	23391
15	2	Safety Plate	1.7225 (59x27x10)	voestalpine	105688
16	2	Lock Out Screw	M12x95 DIN 912	voestalpine	23672
17	2	Lock Out Tube	Ø20x3,5x62 1.7225	voestalpine	23699
18	1	Wear Plate (Cam Driver)	1.7225 (75x60x12)	voestalpine	18383
19	1	Wear Plate (Cam Slider)	WF 750/1A (70x60x15)	voestalpine	19722
20					

voestalpine Giesserei Linz GmbH		Position:	Mount:	Material:	Sheet No.:
08		Date	Name	Description:	Ident. No.:
07		Beurteilt		Aerial Cam KS-OT 500-30° 61,2 Stroke	23543
06		Geprüft			
05	8	30.05.2016	ESS		
04	7	11.02.2015	SCHNER		
03	6	29.08.2012	RIESS	Scale: 1:2	Drawing Number:
02	5	11.02.16	KOILLI	ISO 2768	Assembly
01	4	08.03.04	RISNER	m	
Zu. Modifikation	Date	Name	Dateiname: KS_OT_0500_30_IND_08_23543_HUB_58_0_2016_05_30_EIS		