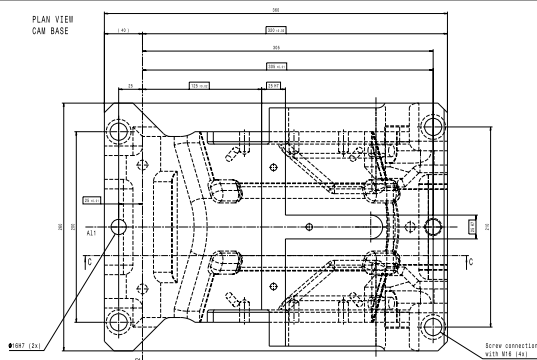
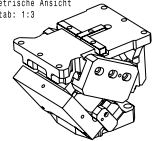


PLAN VIEW
CAM BASE

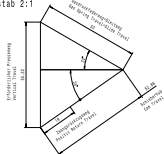


Drawing Title	Version	Drawn	Checked
KS-OT 260-35	1.0		
KS-OT 260-35	1.0		
KS-OT 260-35	1.0		
KS-OT 260-35	1.0		
KS-OT 260-35	1.0		
KS-OT 260-35	1.0		

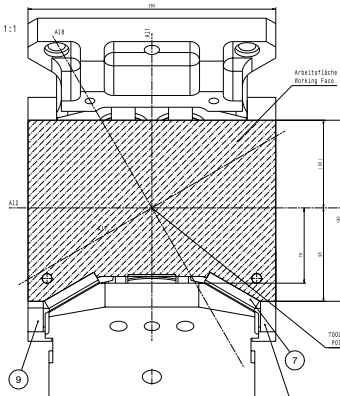
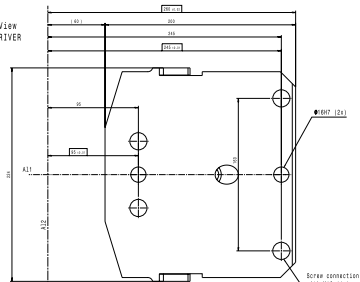
Isometrische Ansicht
Maßstab: 1:3



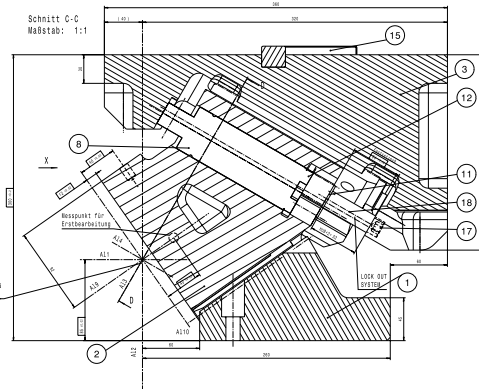
SCHIEBERDIAGRAMM
CAM DIAGRAM
Maßstab 2:1



Plan View
CAM DRIVER



Schnitt C-C
Maßstab: 1:1



$\sqrt{1}$ $\sqrt{2}$ $\sqrt{3}$ $\sqrt{4}$ $\sqrt{5}$ $\sqrt{6}$ $\sqrt{7}$ $\sqrt{8}$ $\sqrt{9}$

1:1
 2:1
 3:1
 4:1
 5:1
 6:1
 7:1
 8:1
 9:1

Component Parts: 23007			
1	KS-OT 260-35	1	1
2	KS-OT 260-35	1	1
3	KS-OT 260-35	1	1
4	KS-OT 260-35	1	1
5	KS-OT 260-35	1	1
6	KS-OT 260-35	1	1
7	KS-OT 260-35	1	1
8	KS-OT 260-35	1	1
9	KS-OT 260-35	1	1
10	KS-OT 260-35	1	1
11	KS-OT 260-35	1	1
12	KS-OT 260-35	1	1
13	KS-OT 260-35	1	1
14	KS-OT 260-35	1	1
15	KS-OT 260-35	1	1
16	KS-OT 260-35	1	1
17	KS-OT 260-35	1	1
18	KS-OT 260-35	1	1
19	KS-OT 260-35	1	1
20	KS-OT 260-35	1	1
21	KS-OT 260-35	1	1
22	KS-OT 260-35	1	1
23	KS-OT 260-35	1	1
24	KS-OT 260-35	1	1
25	KS-OT 260-35	1	1
26	KS-OT 260-35	1	1
27	KS-OT 260-35	1	1
28	KS-OT 260-35	1	1
29	KS-OT 260-35	1	1
30	KS-OT 260-35	1	1
31	KS-OT 260-35	1	1
32	KS-OT 260-35	1	1
33	KS-OT 260-35	1	1
34	KS-OT 260-35	1	1
35	KS-OT 260-35	1	1
36	KS-OT 260-35	1	1
37	KS-OT 260-35	1	1
38	KS-OT 260-35	1	1
39	KS-OT 260-35	1	1
40	KS-OT 260-35	1	1
41	KS-OT 260-35	1	1
42	KS-OT 260-35	1	1
43	KS-OT 260-35	1	1
44	KS-OT 260-35	1	1
45	KS-OT 260-35	1	1
46	KS-OT 260-35	1	1
47	KS-OT 260-35	1	1
48	KS-OT 260-35	1	1
49	KS-OT 260-35	1	1
50	KS-OT 260-35	1	1
51	KS-OT 260-35	1	1
52	KS-OT 260-35	1	1
53	KS-OT 260-35	1	1
54	KS-OT 260-35	1	1
55	KS-OT 260-35	1	1
56	KS-OT 260-35	1	1
57	KS-OT 260-35	1	1
58	KS-OT 260-35	1	1
59	KS-OT 260-35	1	1
60	KS-OT 260-35	1	1
61	KS-OT 260-35	1	1
62	KS-OT 260-35	1	1
63	KS-OT 260-35	1	1
64	KS-OT 260-35	1	1
65	KS-OT 260-35	1	1
66	KS-OT 260-35	1	1
67	KS-OT 260-35	1	1
68	KS-OT 260-35	1	1
69	KS-OT 260-35	1	1
70	KS-OT 260-35	1	1
71	KS-OT 260-35	1	1
72	KS-OT 260-35	1	1
73	KS-OT 260-35	1	1
74	KS-OT 260-35	1	1
75	KS-OT 260-35	1	1
76	KS-OT 260-35	1	1
77	KS-OT 260-35	1	1
78	KS-OT 260-35	1	1
79	KS-OT 260-35	1	1
80	KS-OT 260-35	1	1
81	KS-OT 260-35	1	1
82	KS-OT 260-35	1	1
83	KS-OT 260-35	1	1
84	KS-OT 260-35	1	1
85	KS-OT 260-35	1	1
86	KS-OT 260-35	1	1
87	KS-OT 260-35	1	1
88	KS-OT 260-35	1	1
89	KS-OT 260-35	1	1
90	KS-OT 260-35	1	1
91	KS-OT 260-35	1	1
92	KS-OT 260-35	1	1
93	KS-OT 260-35	1	1
94	KS-OT 260-35	1	1
95	KS-OT 260-35	1	1
96	KS-OT 260-35	1	1
97	KS-OT 260-35	1	1
98	KS-OT 260-35	1	1
99	KS-OT 260-35	1	1
100	KS-OT 260-35	1	1

Vorgezogene Elektronik-Lösung		Zusammenbau	
1	KS-OT 260-35	1	1
2	KS-OT 260-35	1	1
3	KS-OT 260-35	1	1
4	KS-OT 260-35	1	1
5	KS-OT 260-35	1	1
6	KS-OT 260-35	1	1
7	KS-OT 260-35	1	1
8	KS-OT 260-35	1	1
9	KS-OT 260-35	1	1
10	KS-OT 260-35	1	1
11	KS-OT 260-35	1	1
12	KS-OT 260-35	1	1
13	KS-OT 260-35	1	1
14	KS-OT 260-35	1	1
15	KS-OT 260-35	1	1
16	KS-OT 260-35	1	1
17	KS-OT 260-35	1	1
18	KS-OT 260-35	1	1
19	KS-OT 260-35	1	1
20	KS-OT 260-35	1	1
21	KS-OT 260-35	1	1
22	KS-OT 260-35	1	1
23	KS-OT 260-35	1	1
24	KS-OT 260-35	1	1
25	KS-OT 260-35	1	1
26	KS-OT 260-35	1	1
27	KS-OT 260-35	1	1
28	KS-OT 260-35	1	1
29	KS-OT 260-35	1	1
30	KS-OT 260-35	1	1
31	KS-OT 260-35	1	1
32	KS-OT 260-35	1	1
33	KS-OT 260-35	1	1
34	KS-OT 260-35	1	1
35	KS-OT 260-35	1	1
36	KS-OT 260-35	1	1
37	KS-OT 260-35	1	1
38	KS-OT 260-35	1	1
39	KS-OT 260-35	1	1
40	KS-OT 260-35	1	1
41	KS-OT 260-35	1	1
42	KS-OT 260-35	1	1
43	KS-OT 260-35	1	1
44	KS-OT 260-35	1	1
45	KS-OT 260-35	1	1
46	KS-OT 260-35	1	1
47	KS-OT 260-35	1	1
48	KS-OT 260-35	1	1
49	KS-OT 260-35	1	1
50	KS-OT 260-35	1	1
51	KS-OT 260-35	1	1
52	KS-OT 260-35	1	1
53	KS-OT 260-35	1	1
54	KS-OT 260-35	1	1
55	KS-OT 260-35	1	1
56	KS-OT 260-35	1	1
57	KS-OT 260-35	1	1
58	KS-OT 260-35	1	1
59	KS-OT 260-35	1	1
60	KS-OT 260-35	1	1
61	KS-OT 260-35	1	1
62	KS-OT 260-35	1	1
63	KS-OT 260-35	1	1
64	KS-OT 260-35	1	1
65	KS-OT 260-35	1	1
66	KS-OT 260-35	1	1
67	KS-OT 260-35	1	1
68	KS-OT 260-35	1	1
69	KS-OT 260-35	1	1
70	KS-OT 260-35	1	1
71	KS-OT 260-35	1	1
72	KS-OT 260-35	1	1
73	KS-OT 260-35	1	1
74	KS-OT 260-35	1	1
75	KS-OT 260-35	1	1
76	KS-OT 260-35	1	1
77	KS-OT 260-35	1	1
78	KS-OT 260-35	1	1
79	KS-OT 260-35	1	1
80	KS-OT 260-35	1	1
81	KS-OT 260-35	1	1
82	KS-OT 260-35	1	1
83	KS-OT 260-35	1	1
84	KS-OT 260-35	1	1
85	KS-OT 260-35	1	1
86	KS-OT 260-35	1	1
87	KS-OT 260-35	1	1
88	KS-OT 260-35	1	1
89	KS-OT 260-35	1	1
90	KS-OT 260-35	1	1
91	KS-OT 260-35	1	1
92	KS-OT 260-35	1	1
93	KS-OT 260-35	1	1
94	KS-OT 260-35	1	1
95	KS-OT 260-35	1	1
96	KS-OT 260-35	1	1
97	KS-OT 260-35	1	1
98	KS-OT 260-35	1	1
99	KS-OT 260-35	1	1
100	KS-OT 260-35	1	1