

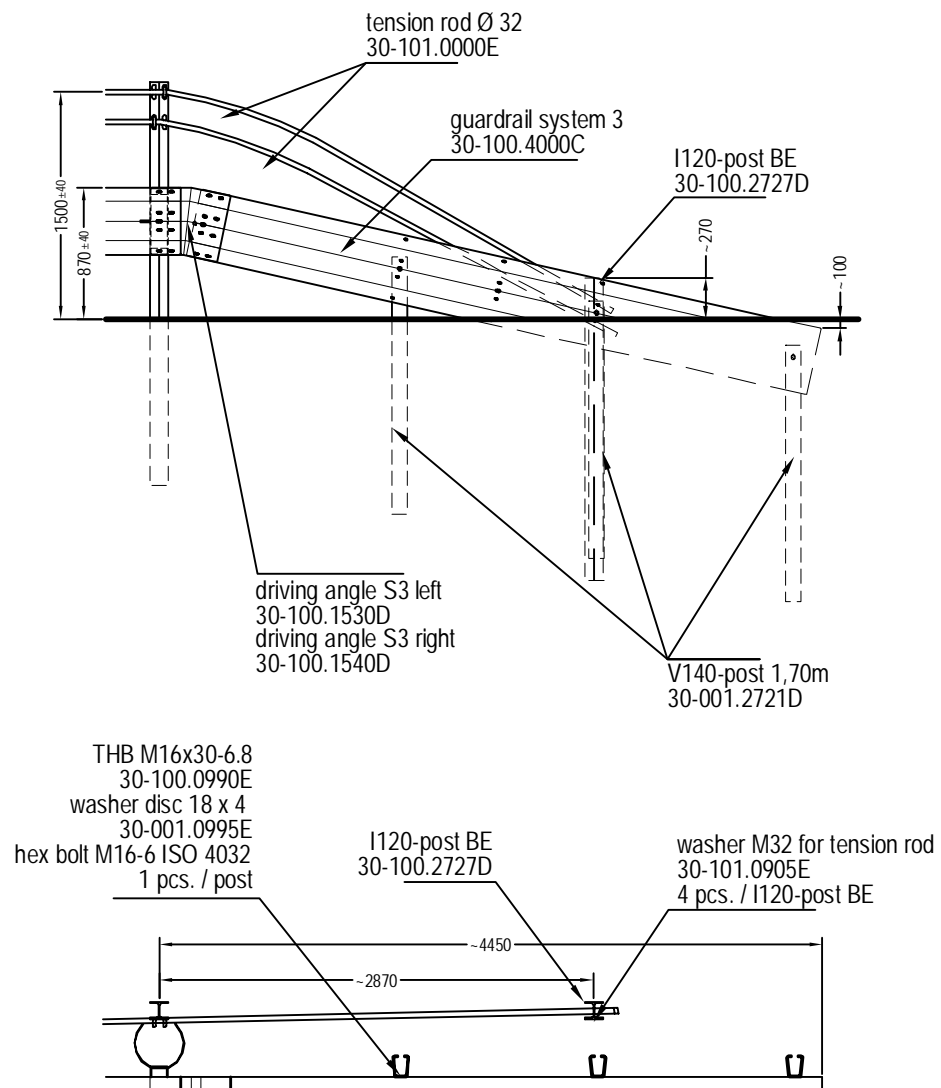
# SAFETY BARRIERS

## GUARDRAIL SYSTEM 3

ground terminal with 1 section

product specification sheet A304

terminal as per drawing type A301



01/2015