

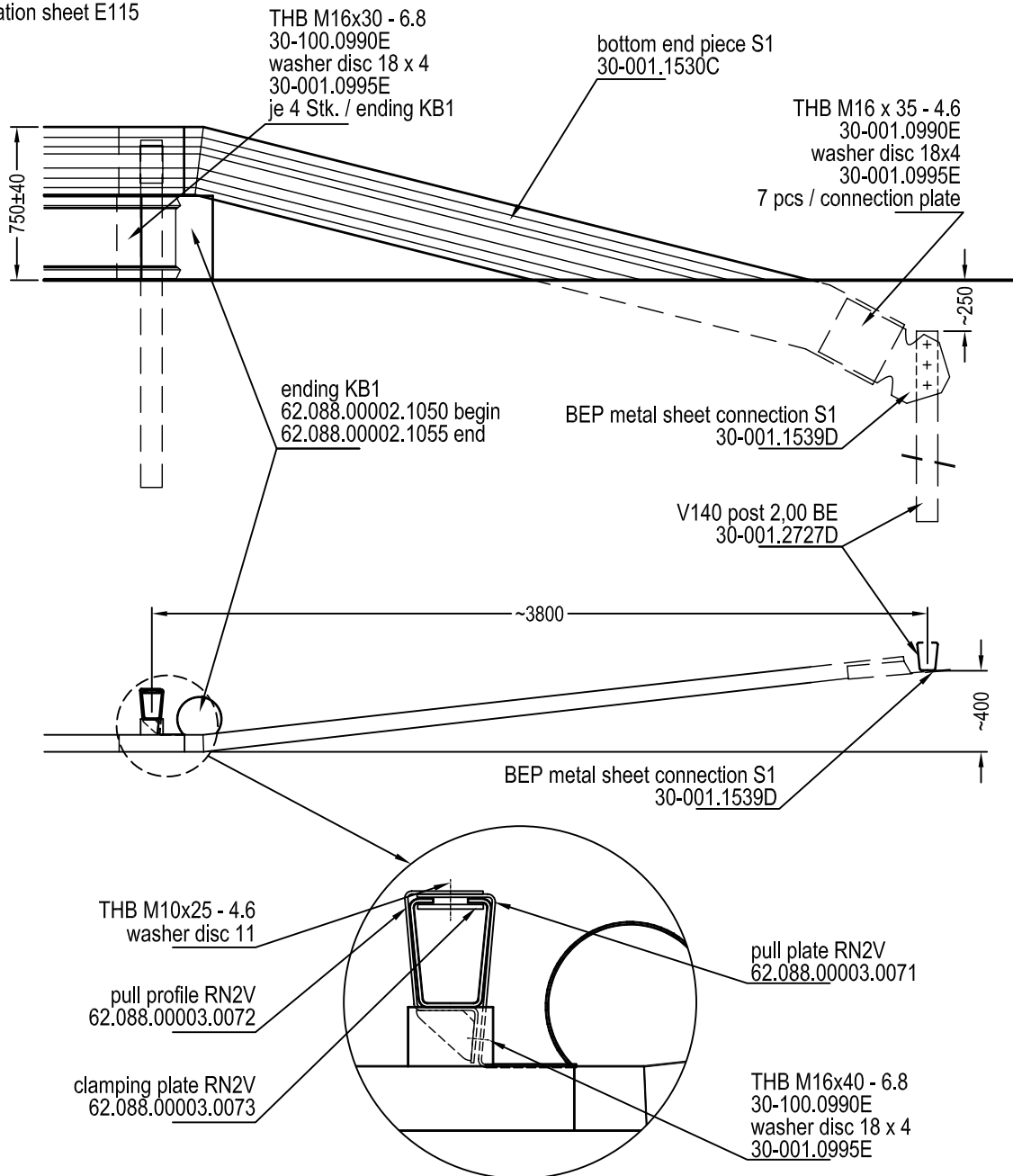
SAFETY BARRIERS

GUARDRAIL SYSTEM 1

driven posts 1 sections

product specification sheet E117

to specification sheet E115



09/2011