

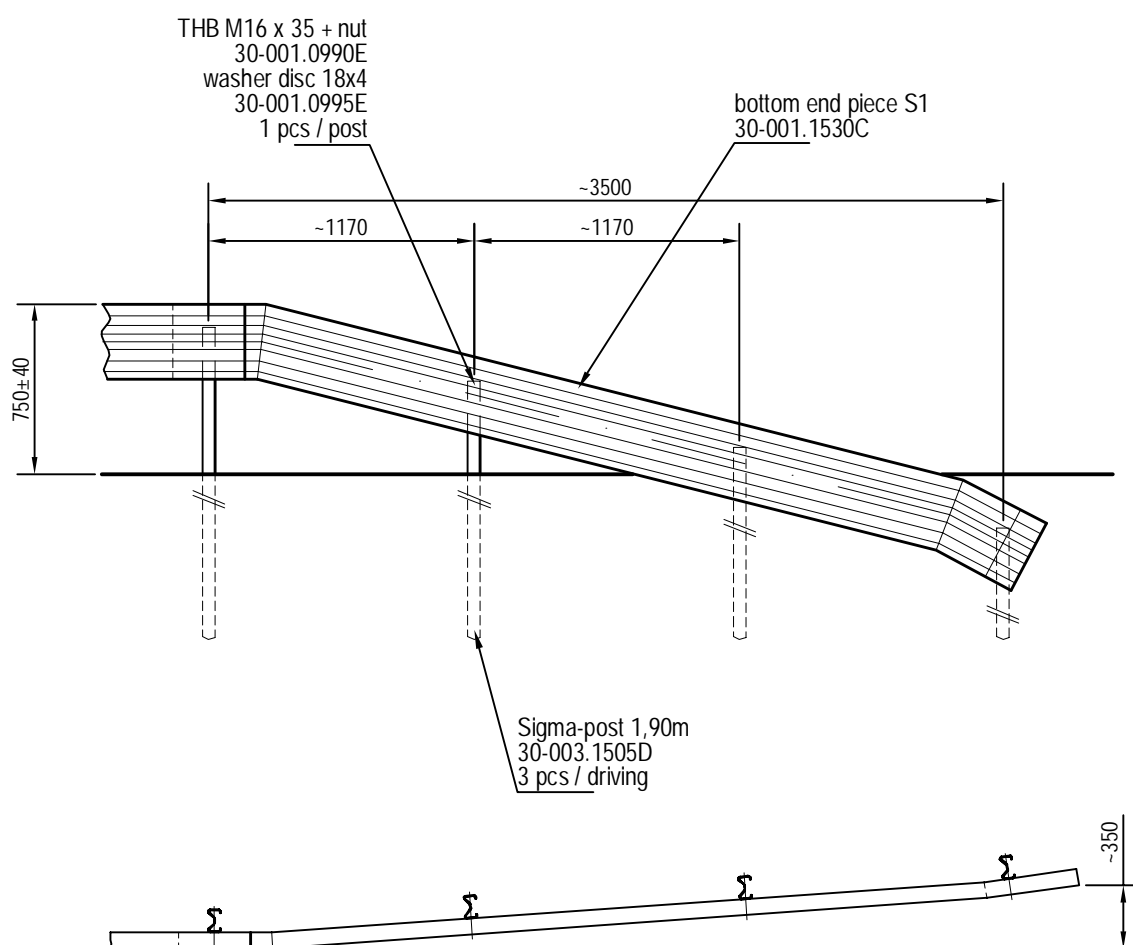
SAFETY BARRIERS

GUARDRAIL SYSTEM 1

driven posts 1 sections

product specification sheet D115

to specification sheet D114



01/2015