

SAFETY BARRIERS

KREMSBARRIER 1 RN2 V

Roadside Restraint System suitable
for pile driving ground conditions

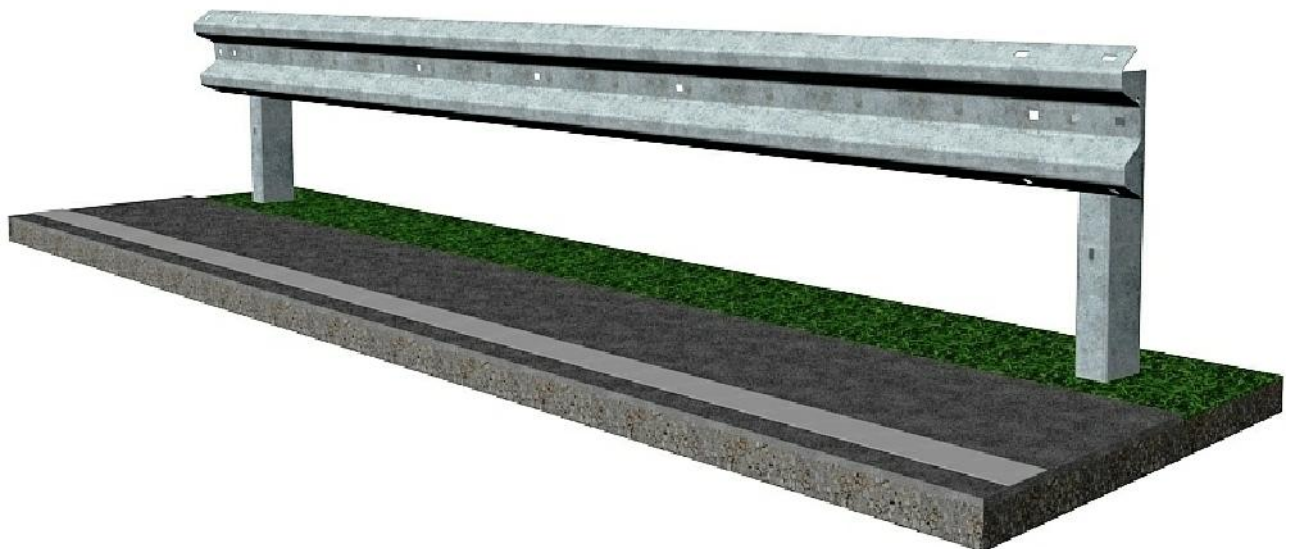
EG certificate of conformity: 0042-CPD-2010

product specification sheet E108/1



tested in accordance with EN 1317-2:

containment level:	N2
impact severity level:	A
working width:	W5
system test length:	15 sections or 57,00m, without driving



01/2015

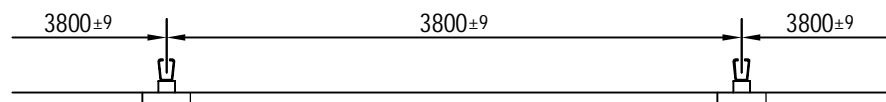
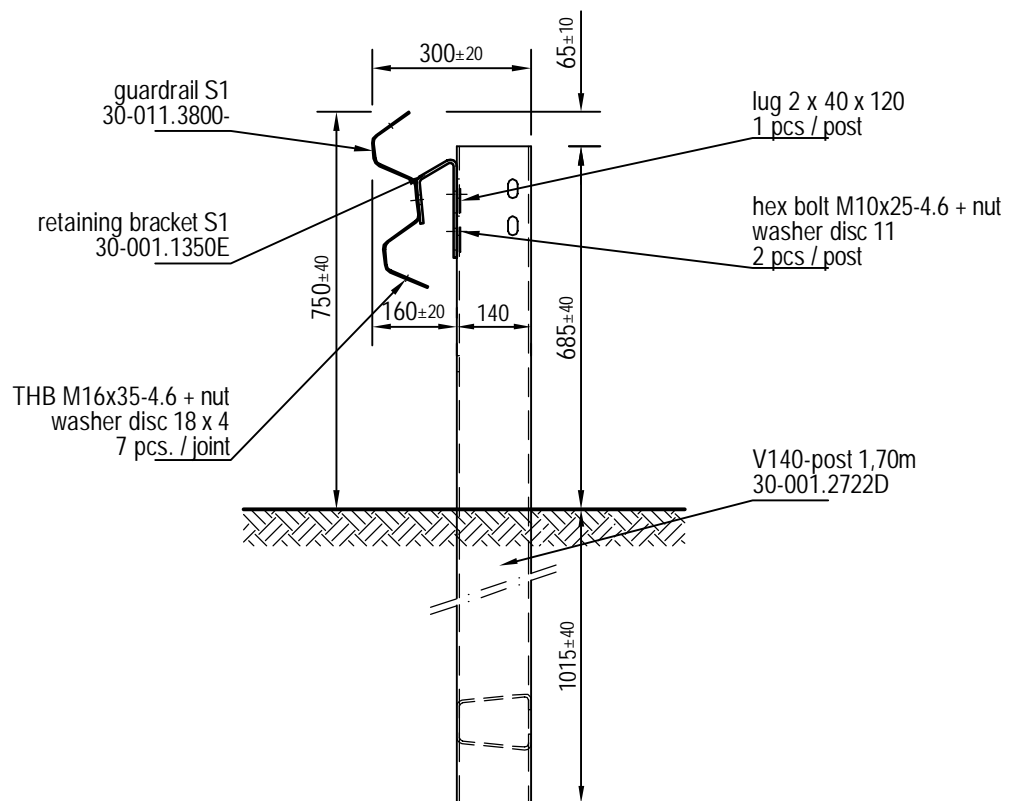
SAFETY BARRIERS

KREMSBARRIER 1 RN2 V

Roadside Restraint System suitable
for pile driving ground conditions

product specification sheet E108/2

for driving see E109 and E110



01/2015

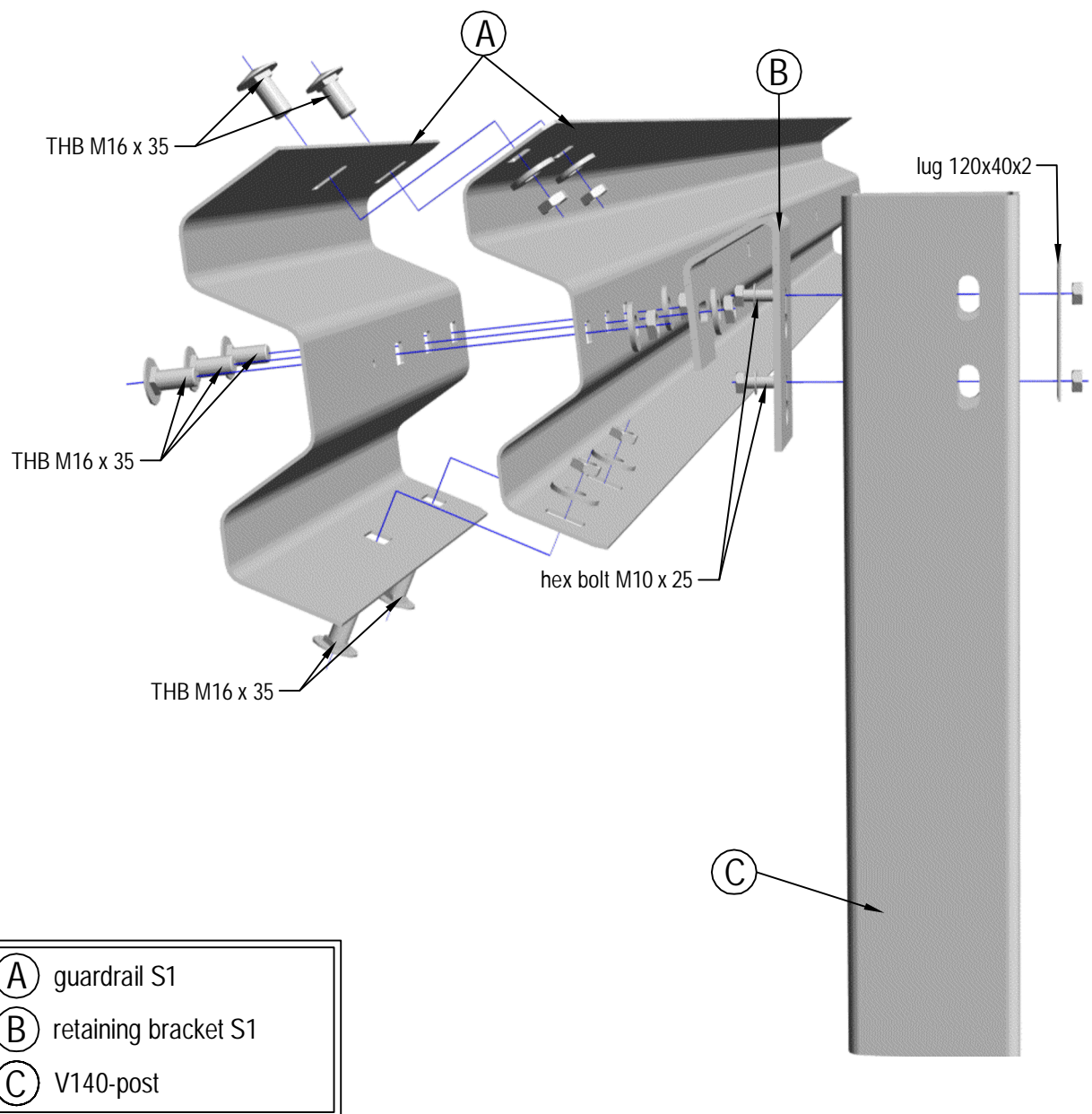
SAFETY BARRIERS

KREMSBARRIER 1 RN2 V

Roadside Restraint System suitable
for pile driving ground conditions

product specification sheet E108/3

installation drawing



01/2015