

# SAFETY BARRIERS

## KREMSBARRIER 1 RN2C

**Roadside Restraint System suitable  
for pile driving ground conditions**

EG certificate of conformity: 0034-CPR-2010

product specification sheet E112/1



**tested in accordance with EN 1317-2:**

containment level:	<b>N2</b>
impact severity level:	<b>A</b>
working width:	<b>W5</b>
system test length:	<b>9 sections or 54,00m, without driving</b>



08/2015

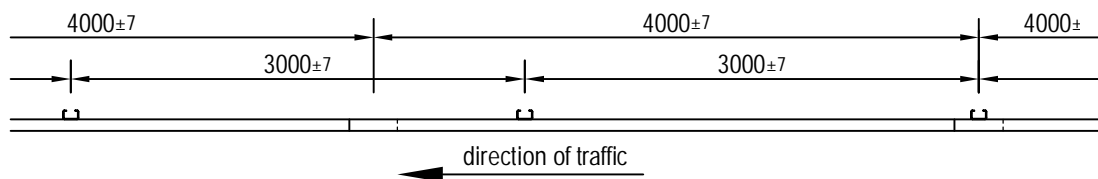
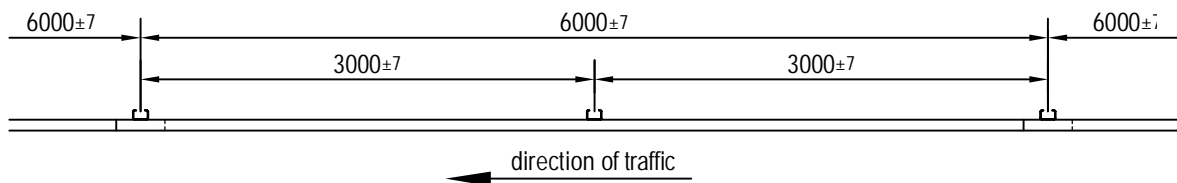
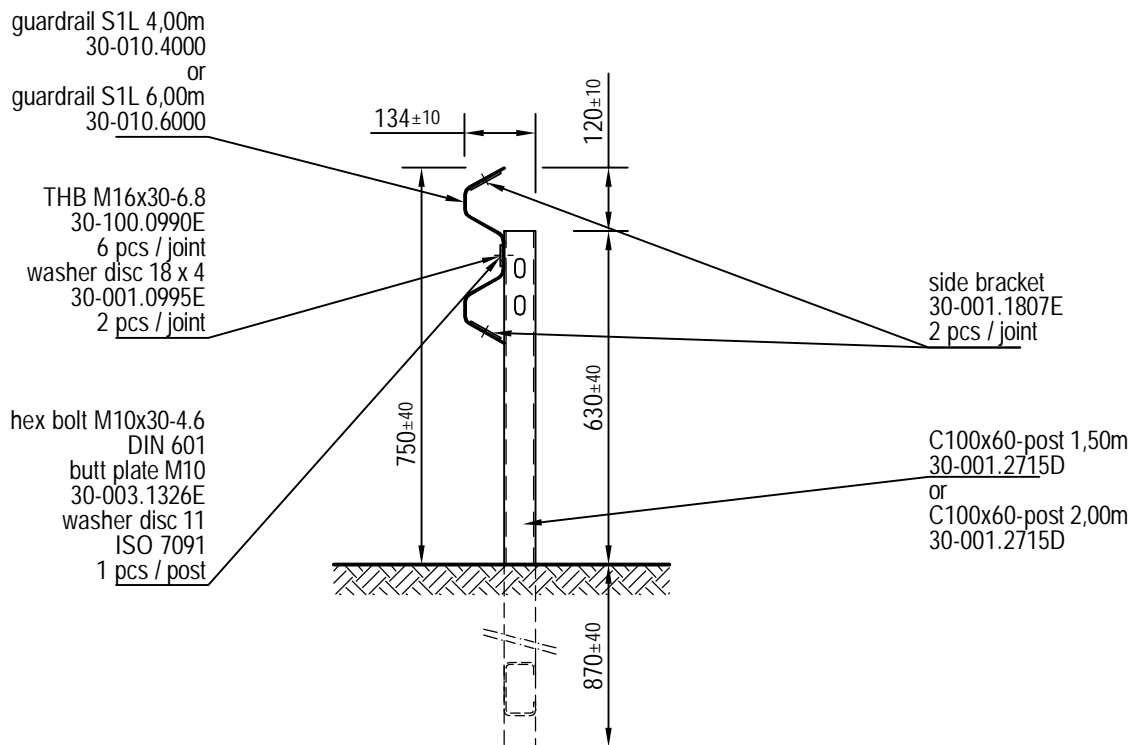
# SAFETY BARRIERS

## KREMSBARRIER 1 RN2C

Roadside Restraint System suitable  
for pile driving ground conditions

product specification sheet E112/2

for driving see E113 and E114



01/2015

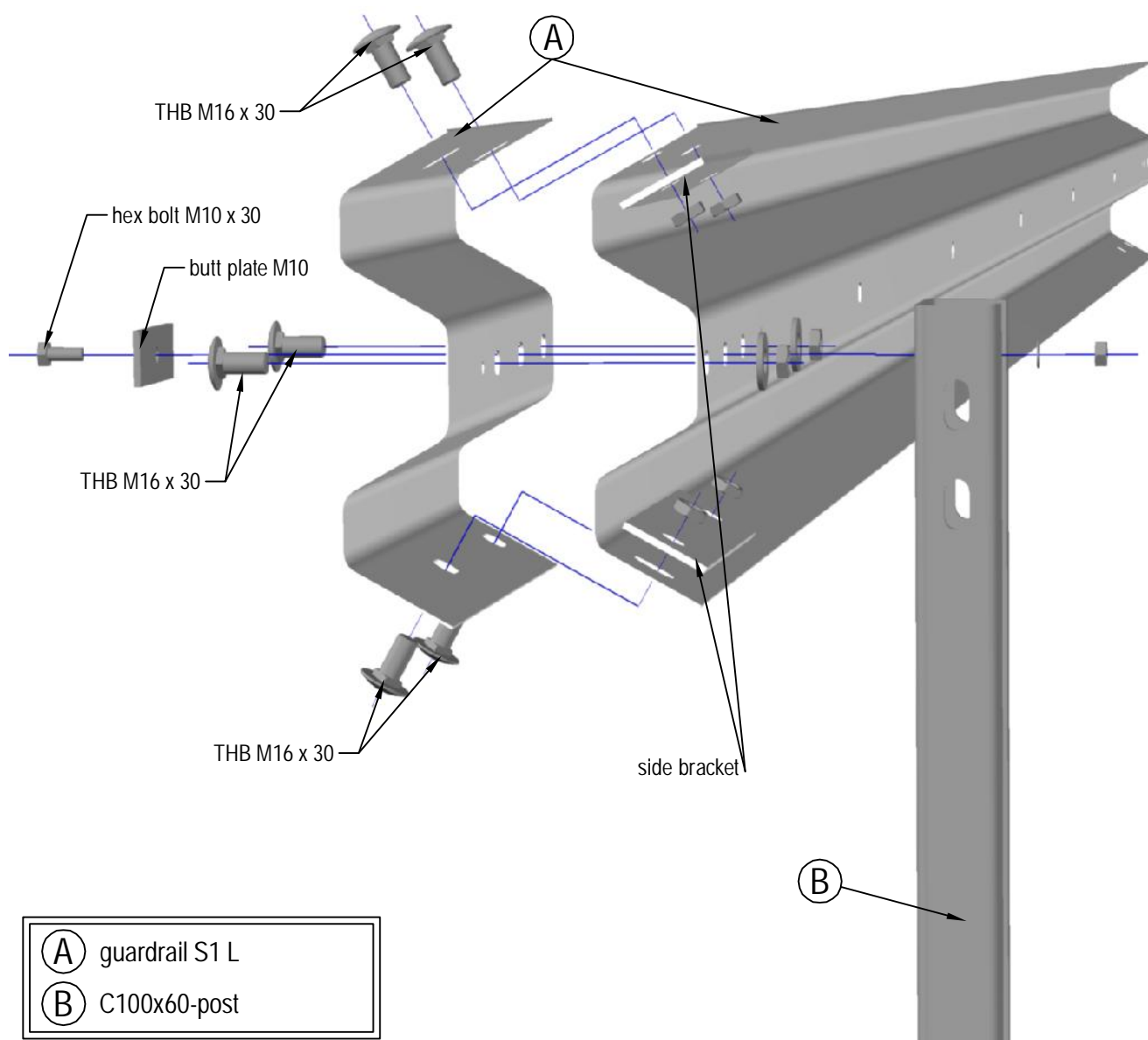
# SAFETY BARRIERS

## KREMSBARRIER 1 RN2C

Roadside Restraint System suitable  
for pile driving ground conditions

product specification sheet E112/3

installation drawing



01/2015