

SAFETY BARRIERS

KREMSBARRIER 1 MH3

Restraint System for central medians and ground conditions suitable for pile driving

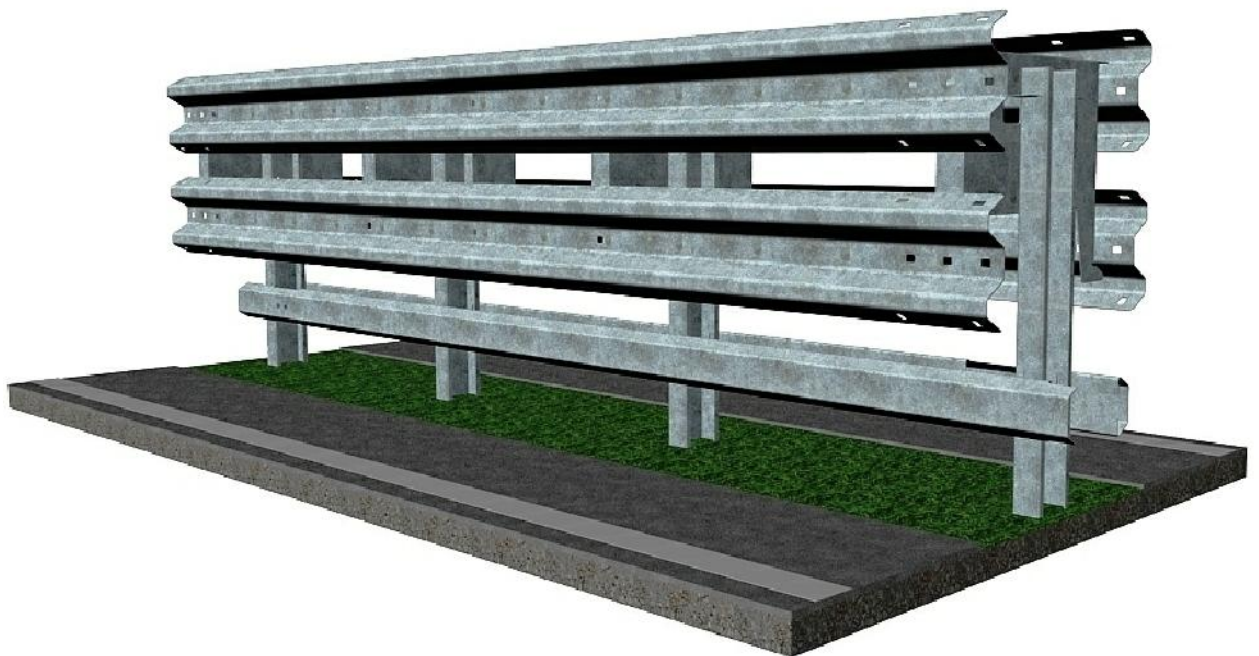
EG certificate of conformity: 0146-CPD-2010

product specification sheet B101/1



tested in accordance to EN 1317-2:

| | |
|------------------------|--|
| containment level: | H3 |
| impact severity level: | B |
| working width: | W7 |
| system test length: | 17 sections or 64,40m, without driving |



01/2015

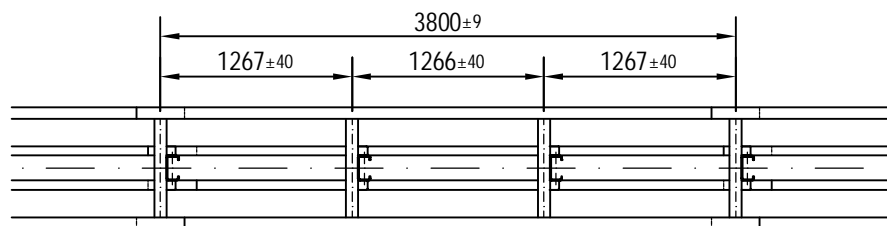
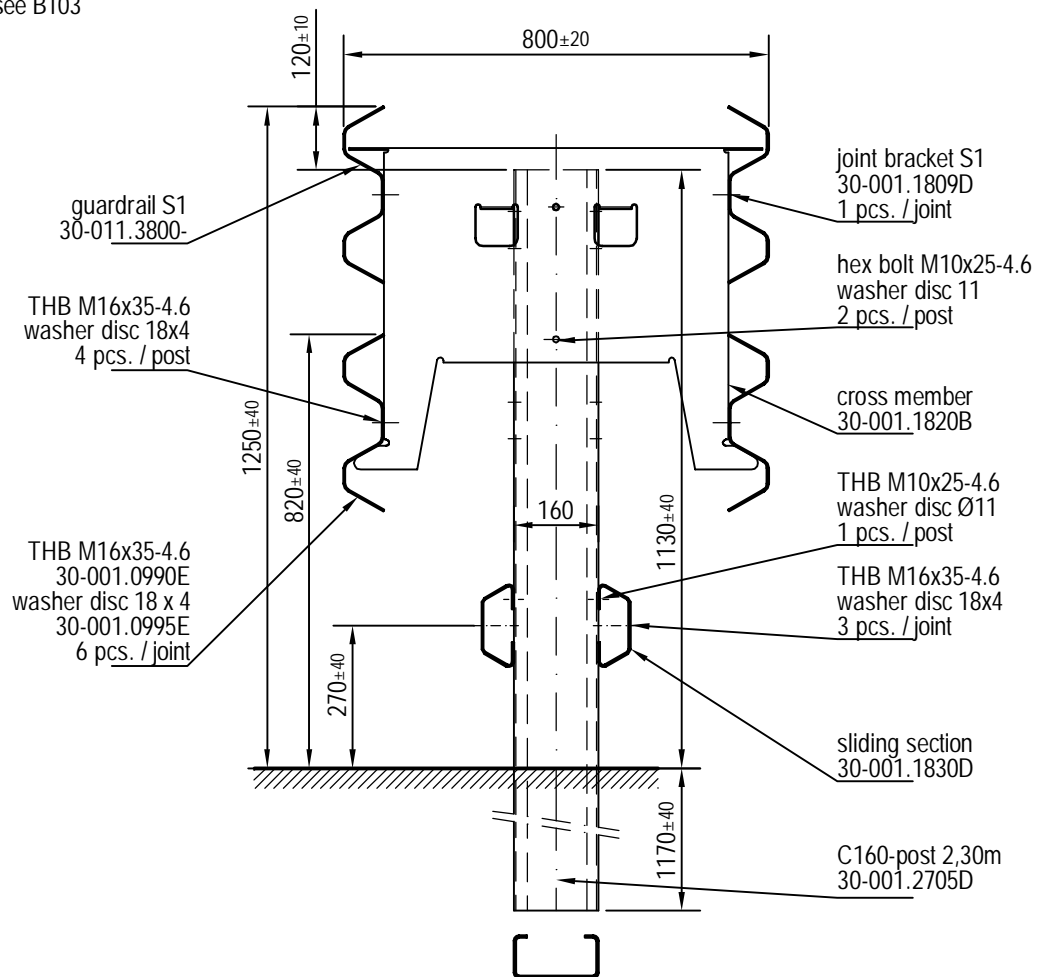
SAFETY BARRIERS

KREMSBARRIER 1 MH3

Restraint System for central medians and ground conditions suitable for pile driving

product specification sheet B101/2

for driving see B103



direction of traffic

01/2015

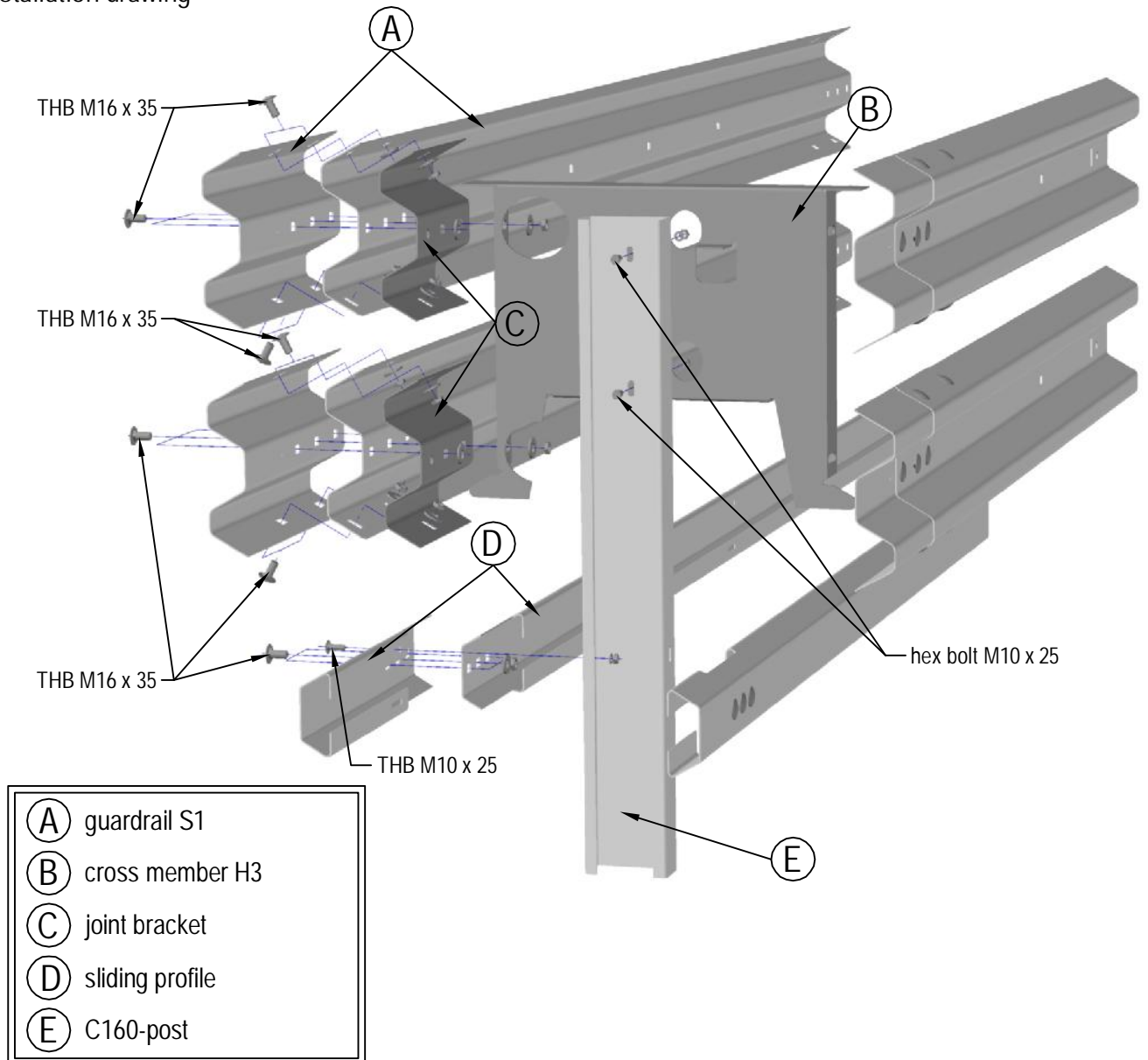
SAFETY BARRIERS

KREMSBARRIER 1 MH3

Restraint System for central medians and ground conditions suitable for pile driving

product specification sheet B101/3

installation drawing



01/2015