

SAFETY BARRIERS

KREMSBARRIER 1 RH1C

**Roadside Restraint System suitable
for pile driving ground conditions**

EG certificate of conformity: 0531-CPR-1317-0020

product specification sheet D120/1



tested in accordance with EN 1317-2:

containment level:	H1
impact severity level:	A
working width:	W4
system test length:	9 Felder bzw. 54,00m



08/2015

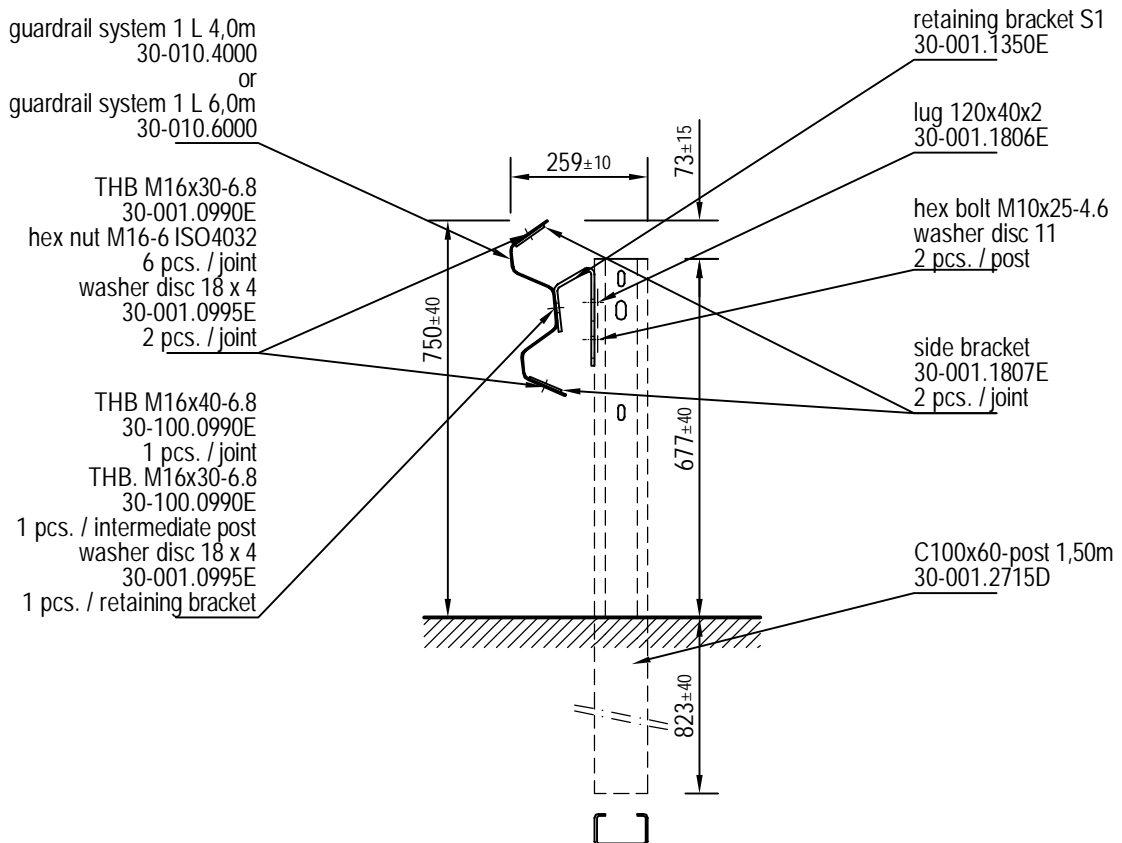
SAFETY BARRIERS

KREMSBARRIER 1 RH1C

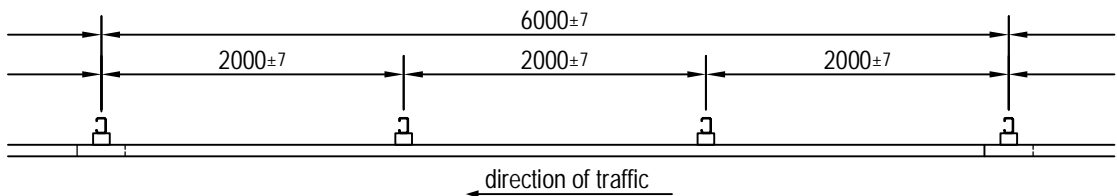
Roadside Restraint System suitable
for pile driving ground conditions

product specification sheet D120/2

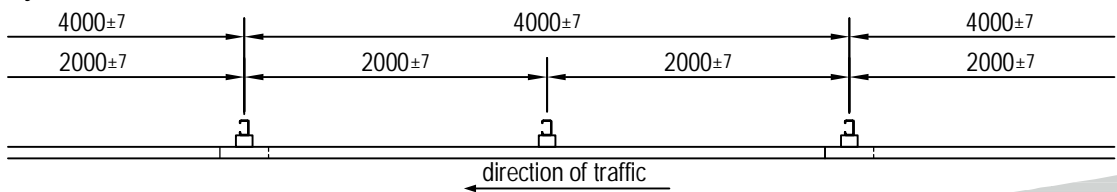
for driving see D121 and D122



System 6,0m



System 4,0m



01/2015

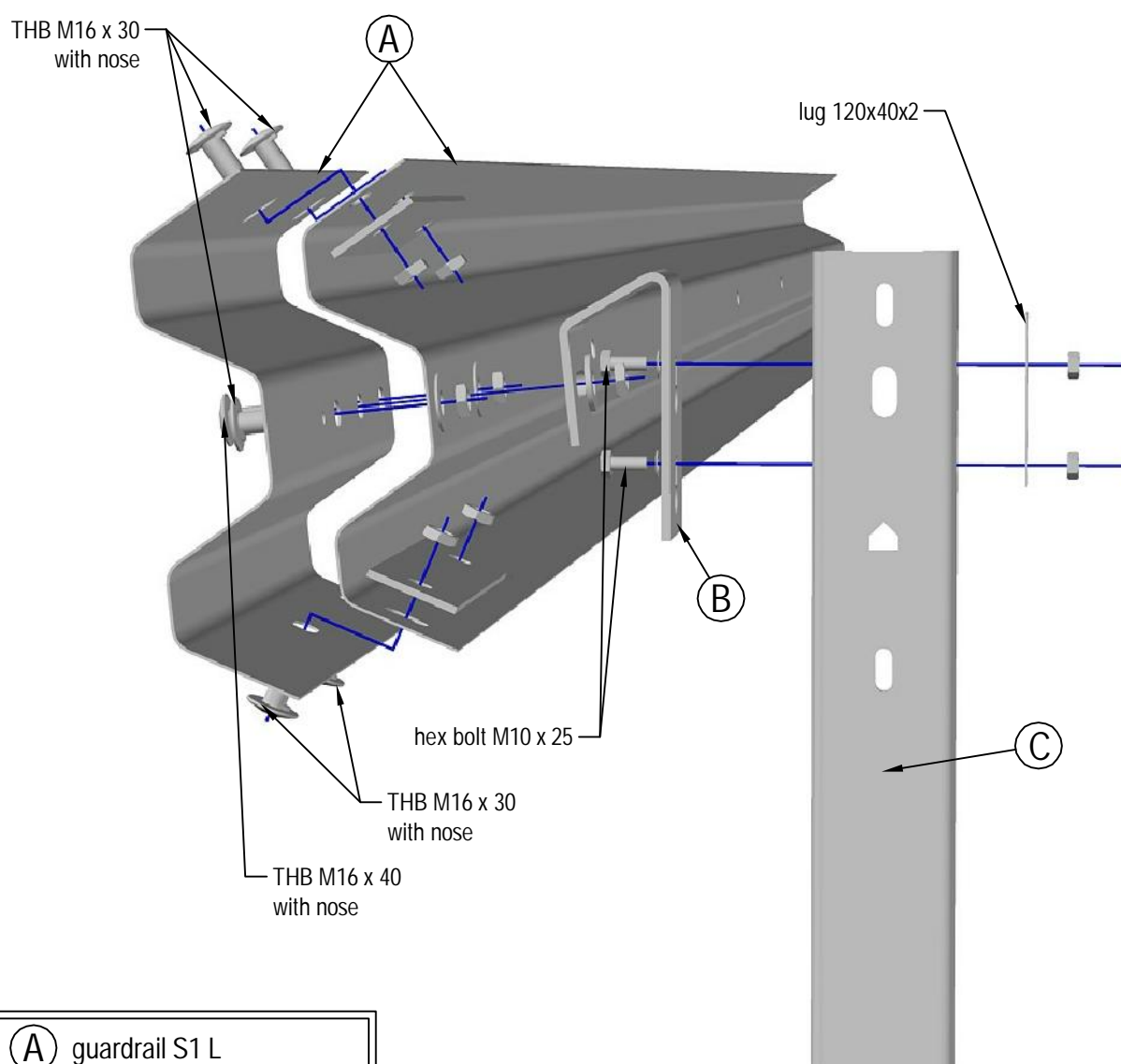
SAFETY BARRIERS

KREMSBARRIER 1 RH1C

Roadside Restraint System suitable
for pile driving ground conditions

product specification sheet D120/3

installation drawing



- | | |
|-----|----------------------|
| (A) | guardrail S1 L |
| (B) | retaining bracket S1 |
| (C) | C100x60-post |

01/2015