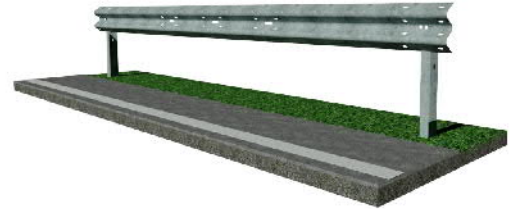
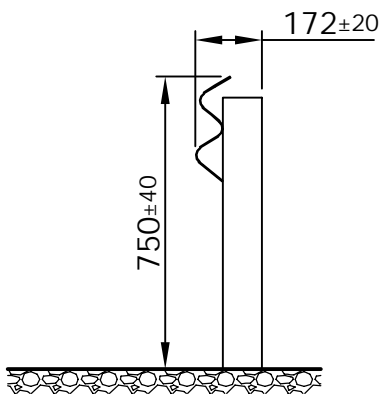


KREMSBARRIER 2 RH1L

FOR PILE DRIVING GROUND CONDITION



D214 - 12/2019



Technical description

Containment level	N2 / H1 / L1
Impact severity level	A
Working width	W4 / W5 / W5
Test length	53,20 m
System dimension	3,80 m
Post distance	3,80 m
System width	172 mm
System height	750 mm
Ram depth	804 mm
Ground terminal	Typesheet D215, D216

Detailinformation: www.voestalpine.com/kremsfinaltechnik

