

SAFETY BARRIERS

KREMSBARRIER 3 RH3V

roadside restraint system
on civil structures

EG certificate of conformity: 0531-CPD-1317-0805

product specifications Sheet B302/1



Tested in accordance with EN 1317-2:

containment level:	H3
impact severity level:	B
working width:	W5
system test length:	14 cells or 46,00m, without driving



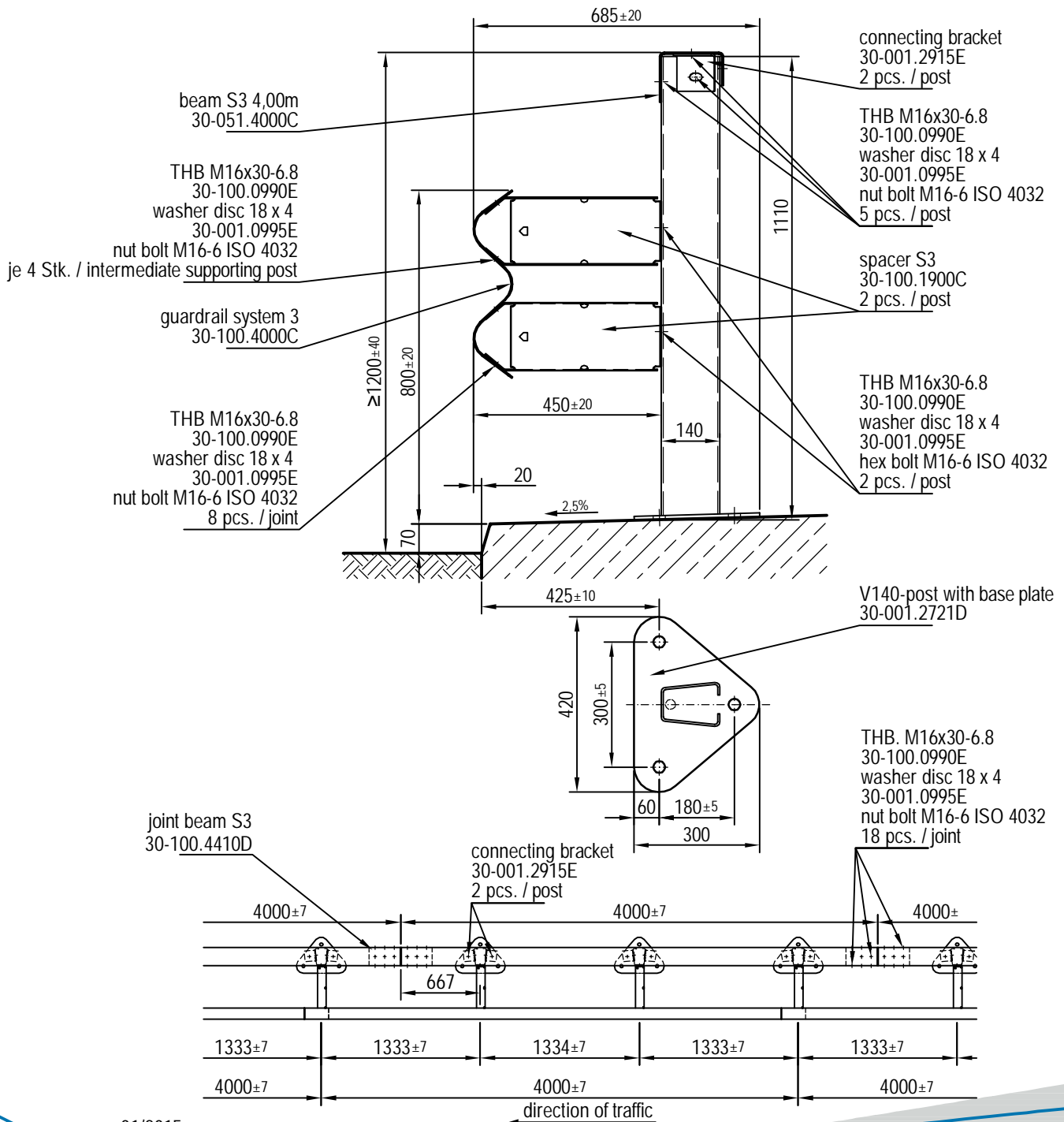
01/2015

SAFETY BARRIERS

KREMSBARRIER 3 RH3V

roadside restraint system
on civil structures

product specifications Sheet B302/2



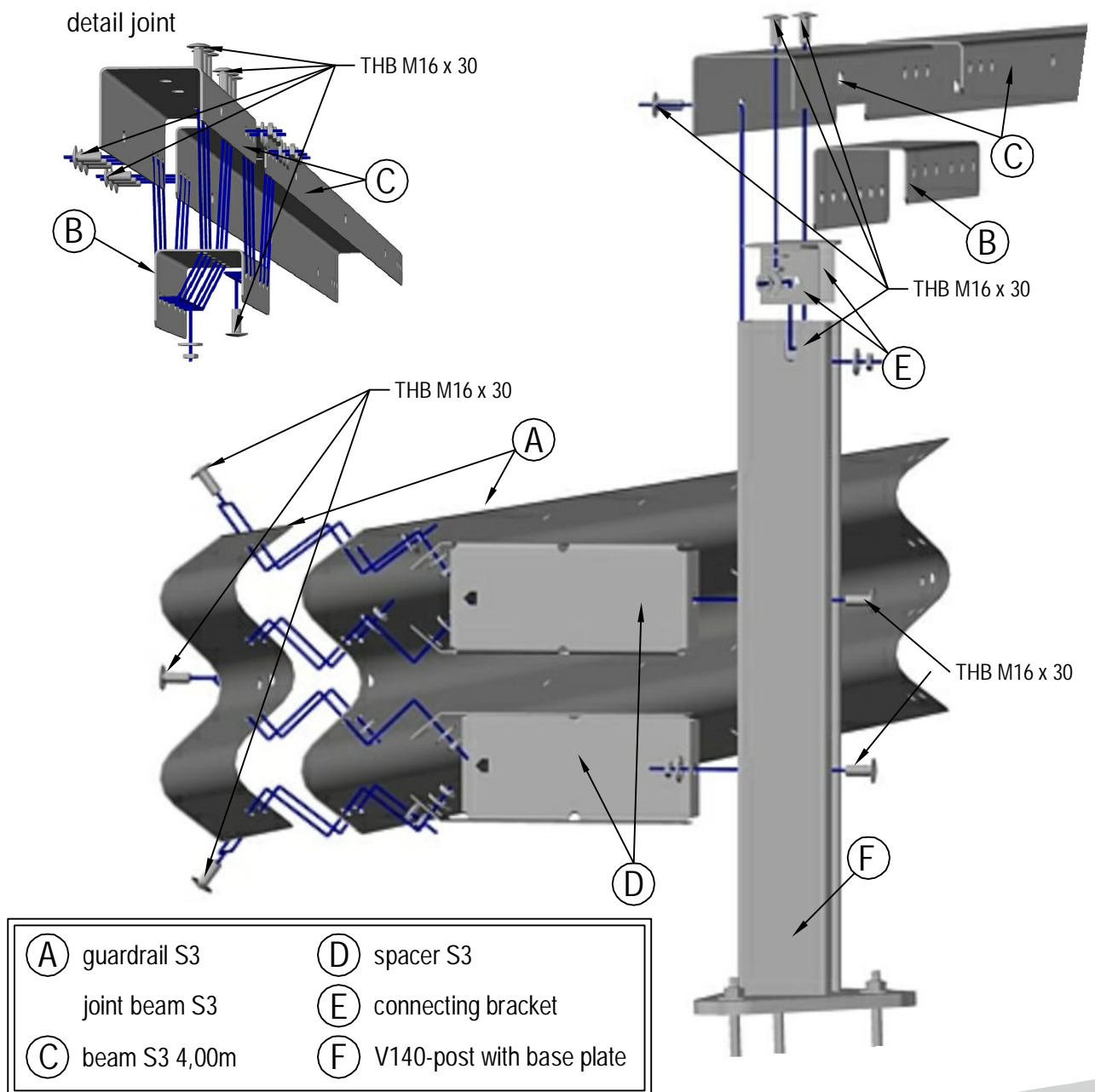
SAFETY BARRIERS

KREMSBARRIER 3 RH3V

roadside restraint system
on civil structures

product specifications Sheet B302/3

installation drawing



01/2015

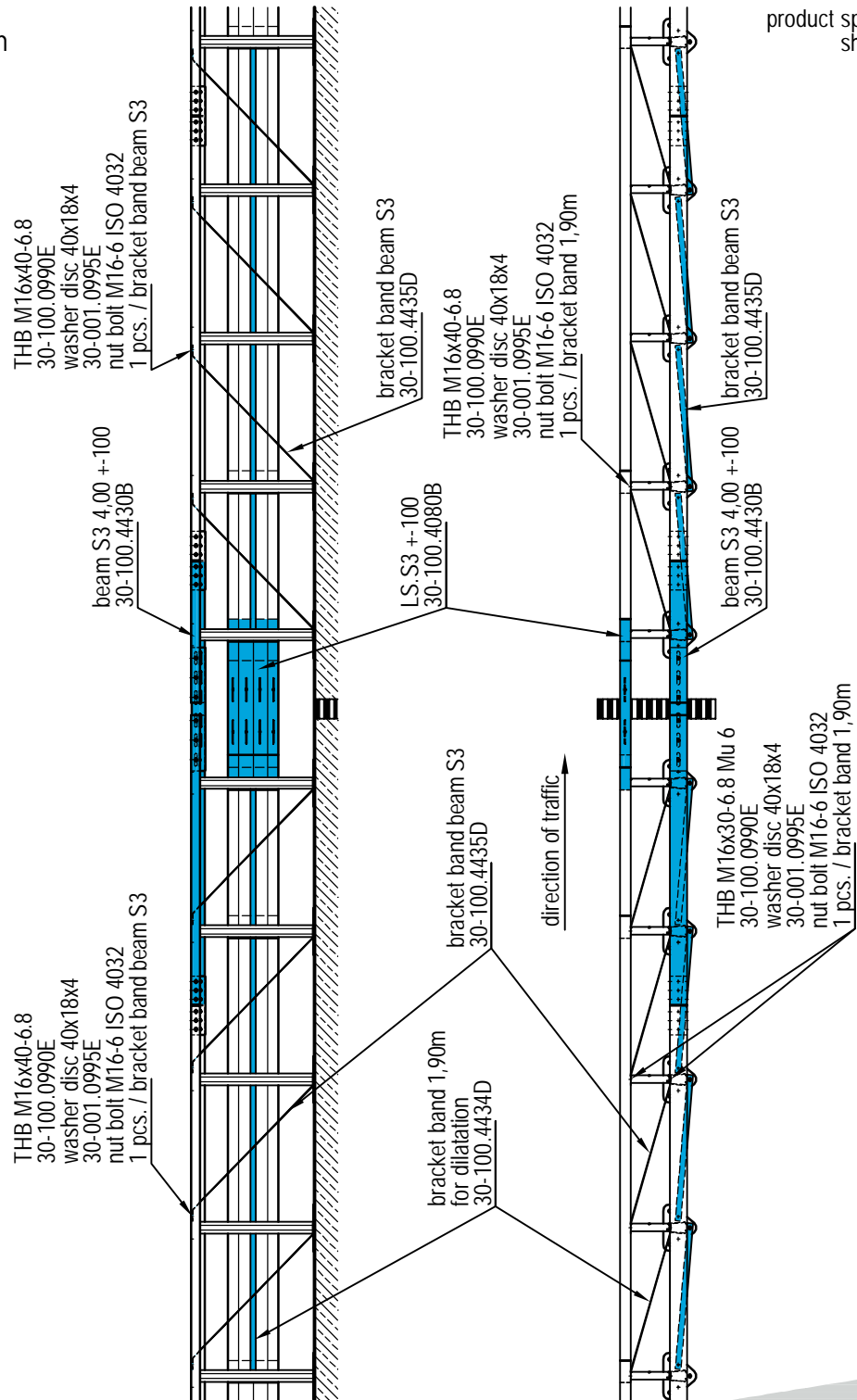
SAFETY BARRIERS

KREMSBARRIER 3 RH3V

roadside restraint system
on civil structures

dilatation +-100

product specifications
sheet B302/4



01/2015