

SAFETY BARRIERS

KREMSBARRIER 1 RH3

Roadside Restraint System with lower guardrail on civil structures

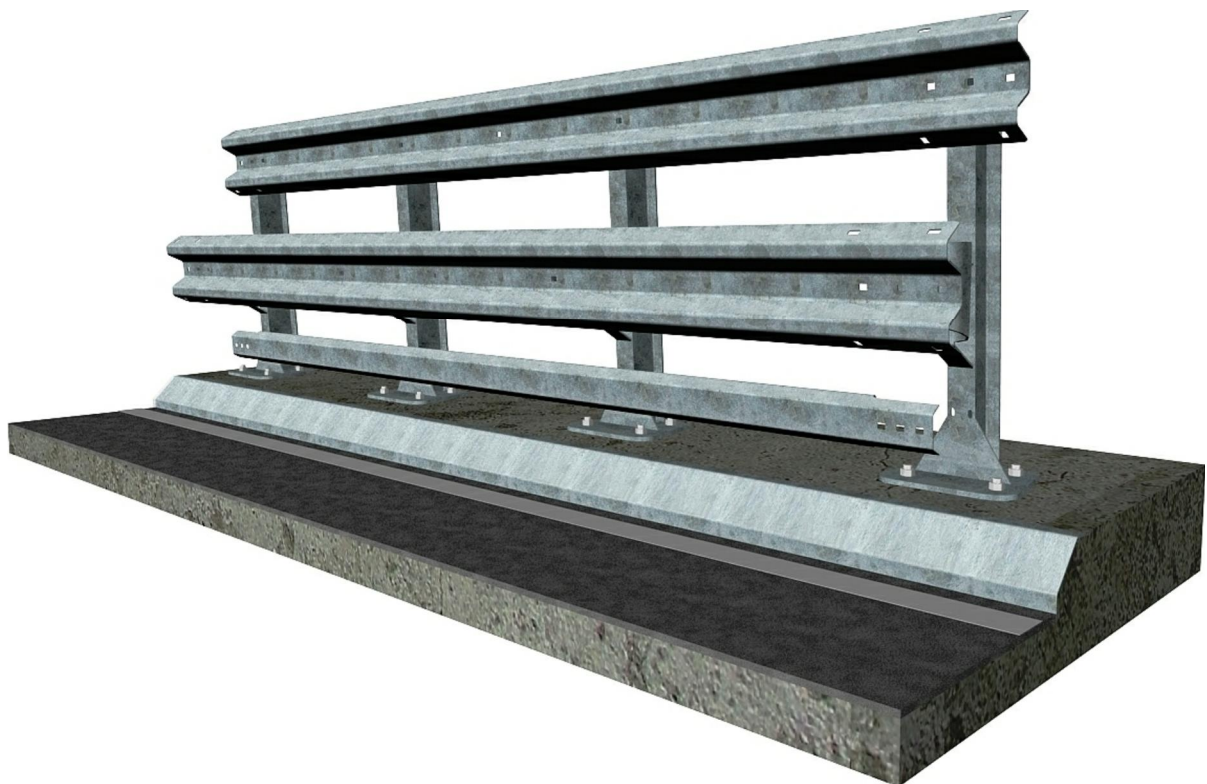
EG certificate of conformity: 0043-CPD-2010

product specification sheet B105/1



tested in accordance with EN 1317-2:

containment level:	H3
impact severity level:	B
working width:	W5
system test length:	13 sections or 49,40m, without driving



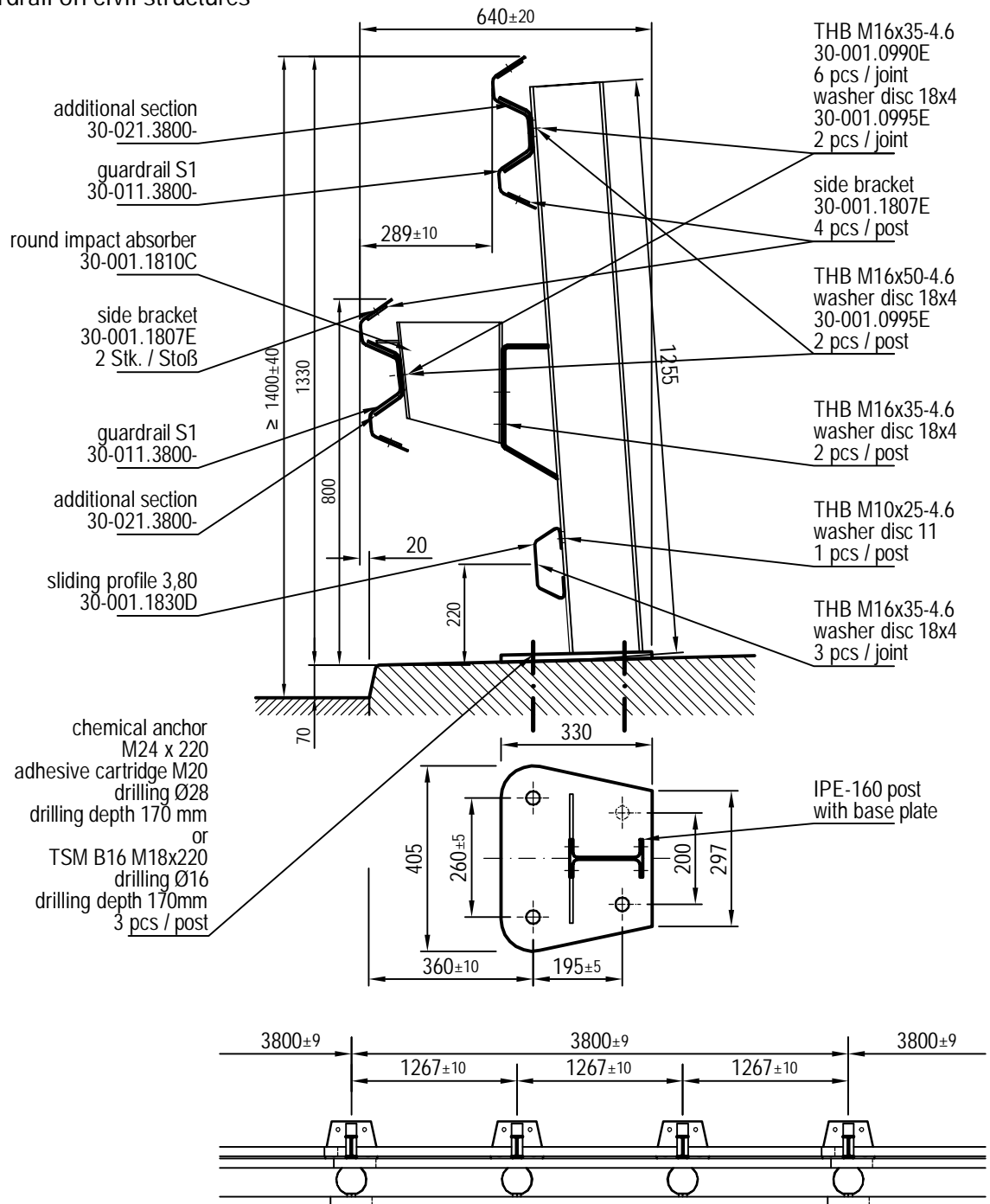
01/2015

SAFETY BARRIERS

KREMSBARRIER 1 RH3

Roadside Restraint System with lower guardrail on civil structures

product specification sheet B105/2



01/2015

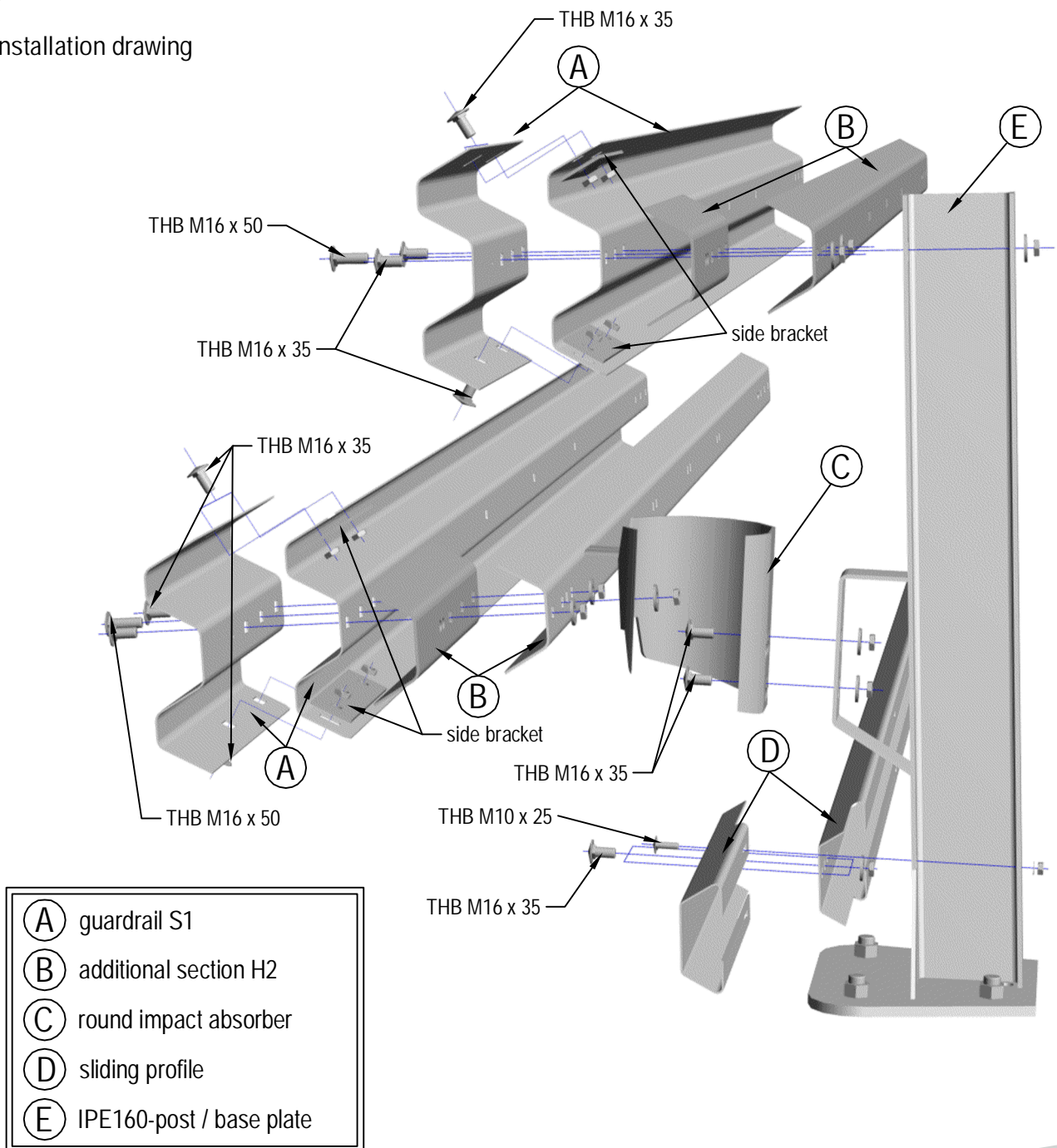
SAFETY BARRIERS

KREMSBARRIER 1 RH3

Roadside Restraint System with lower guardrail on civil structures

product specification sheet B105/3

installation drawing



01/2015

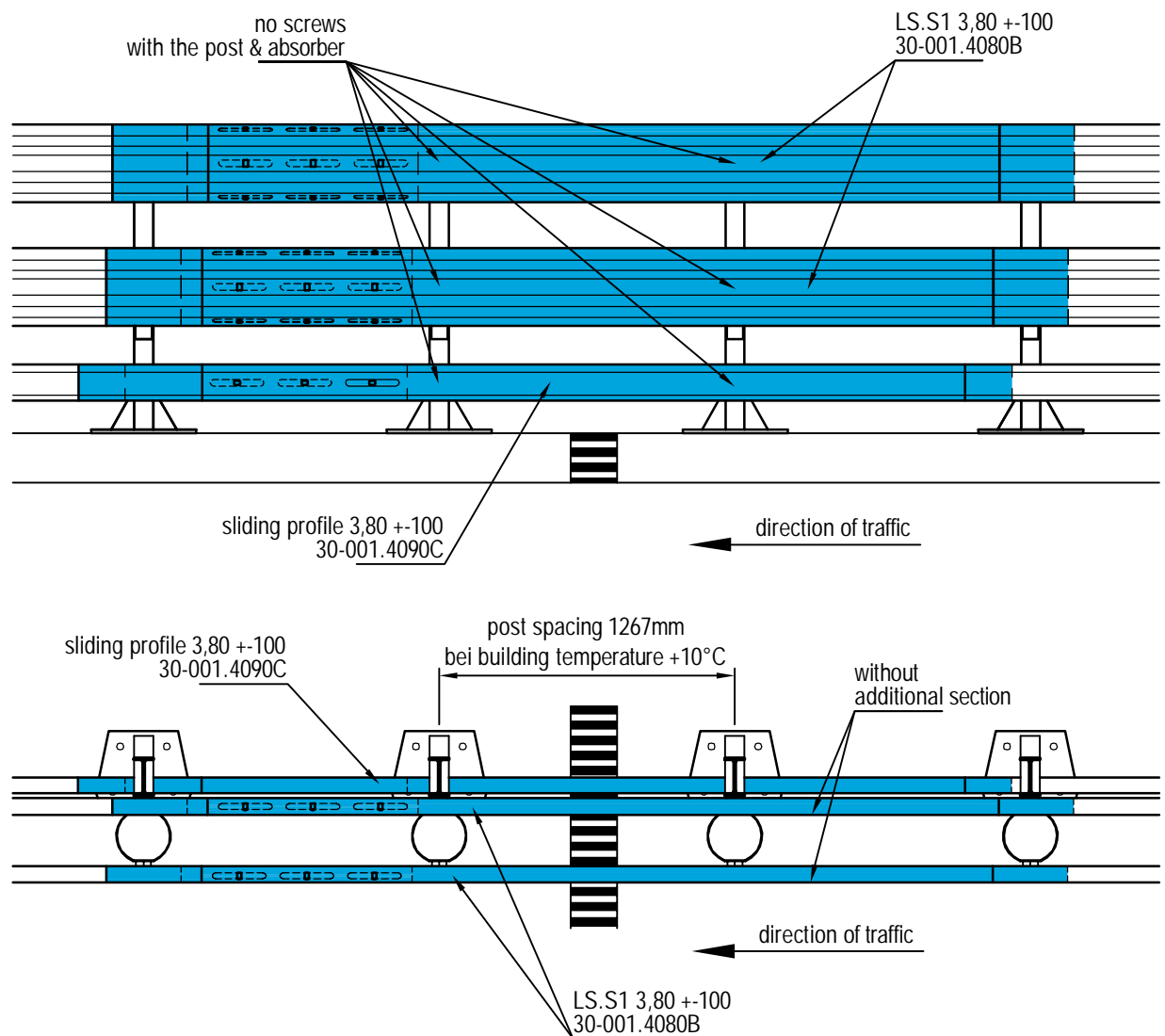
SAFETY BARRIERS

KREMSBARRIER 1 RH3

Roadside Restraint System with lower guardrail on civil structures

product specification sheet B105/4

dilatation +-100



01/2015