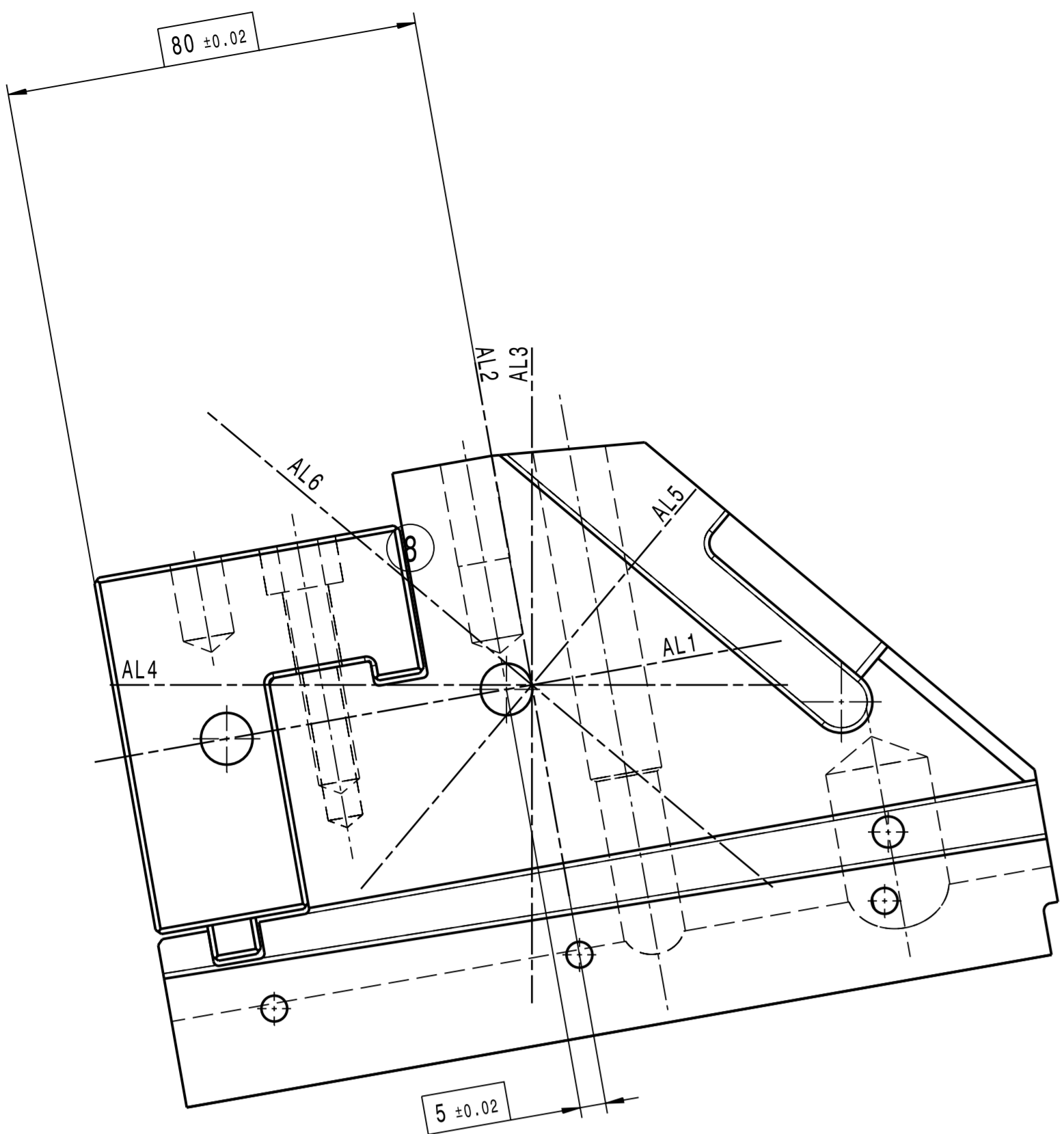
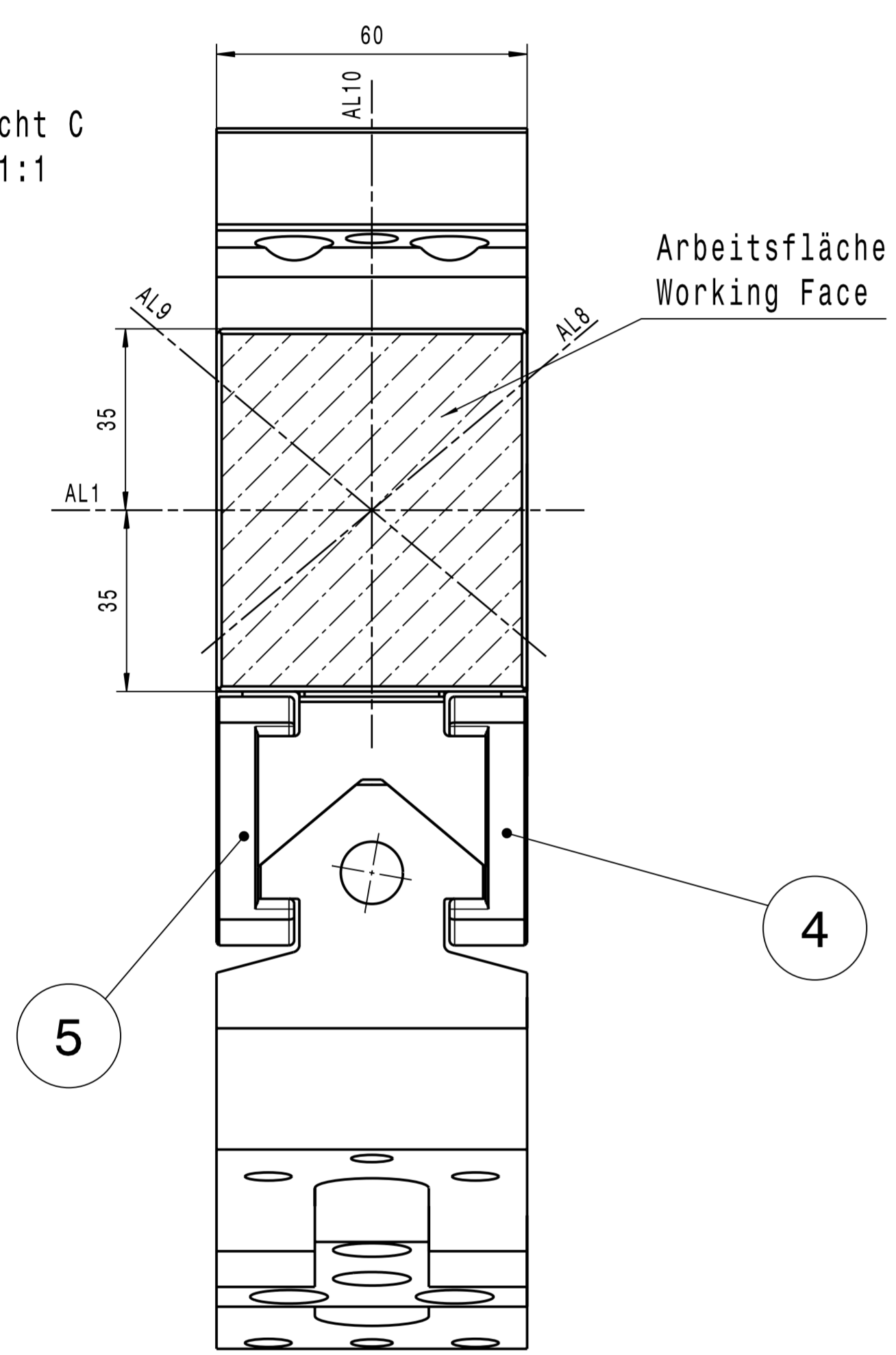


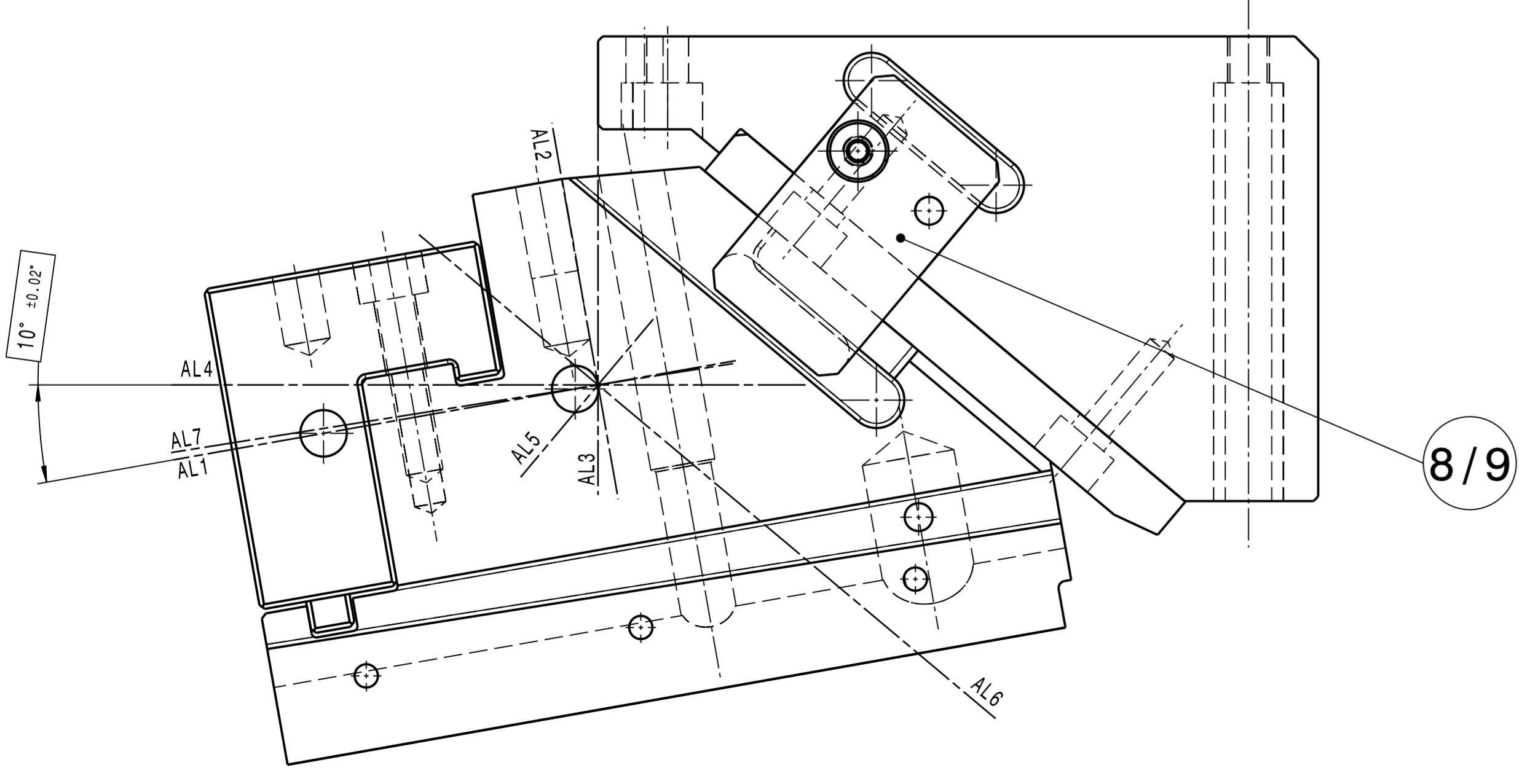
Vorderansicht
Maßstab: 1:1



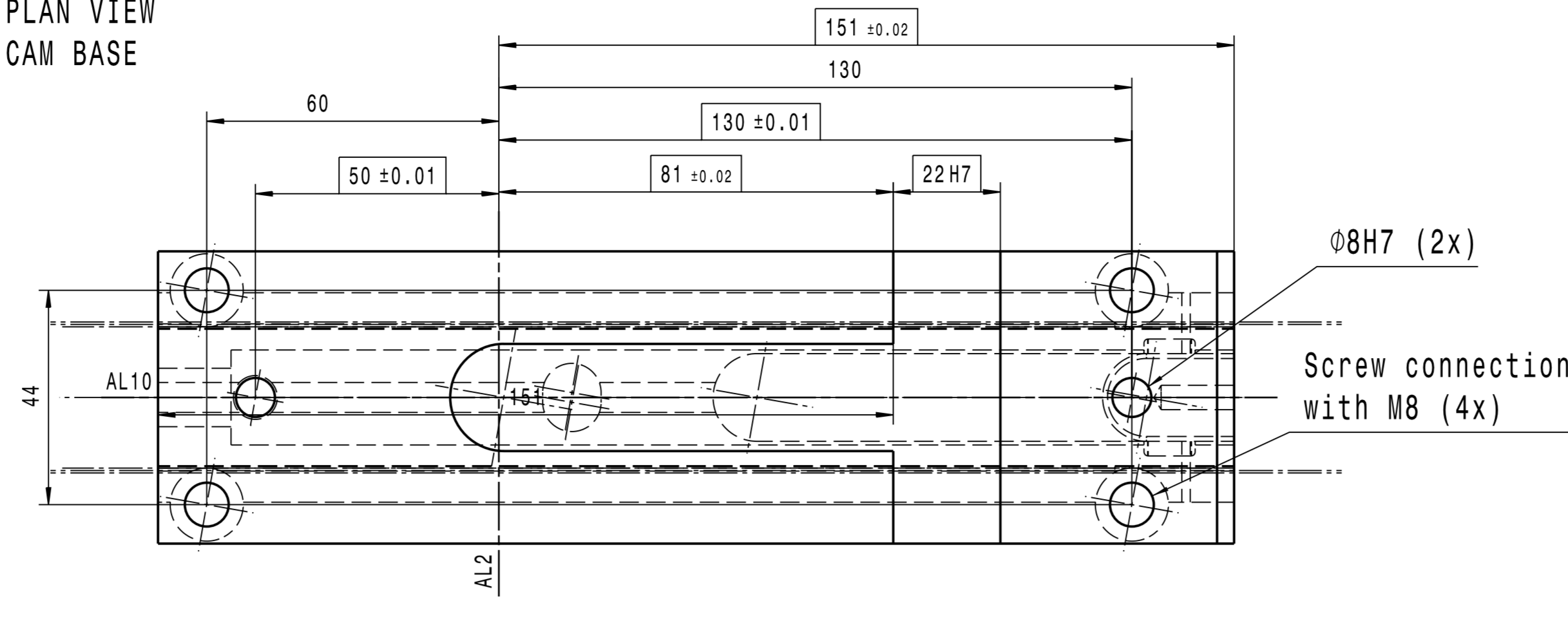
Hilfsansicht C
Maßstab: 1:1



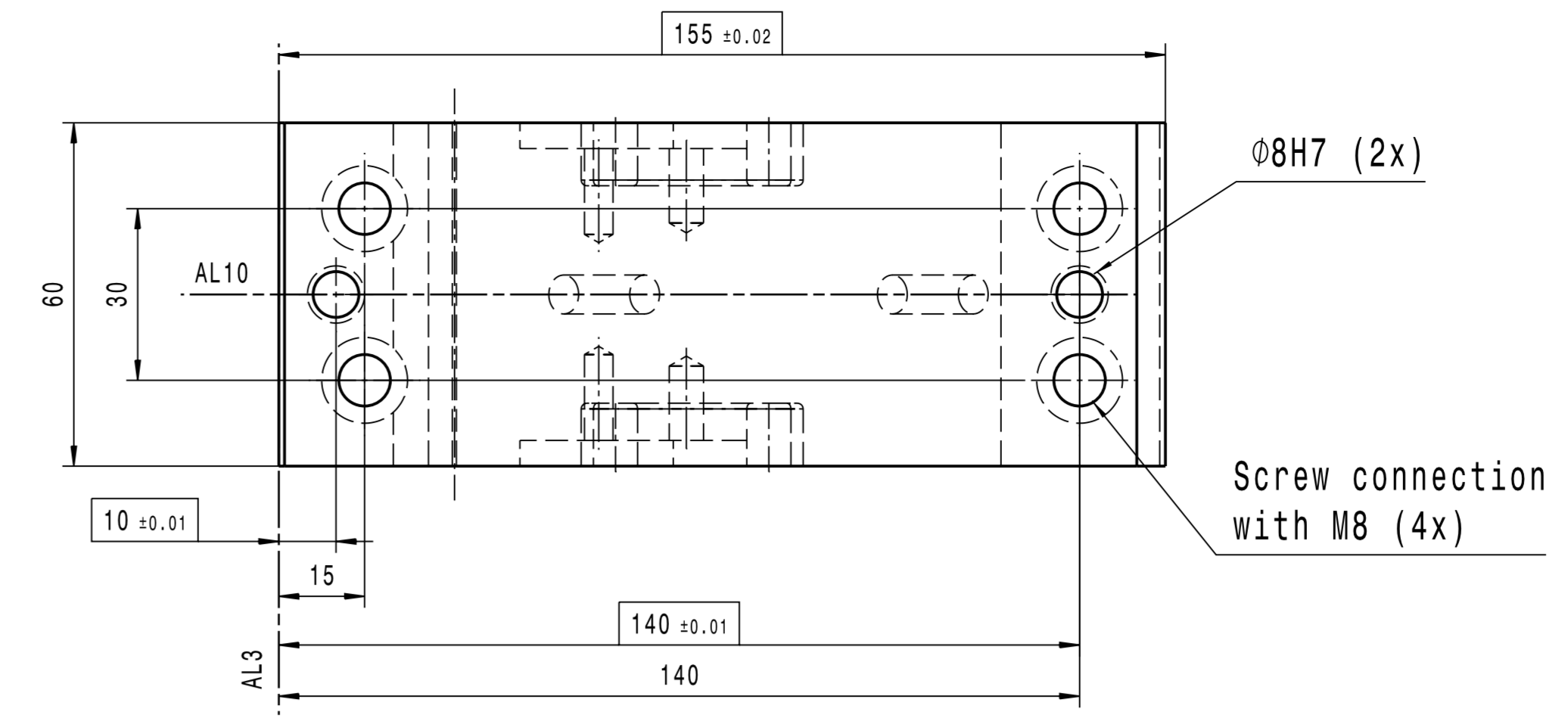
Vorderansicht
Maßstab: 1:1



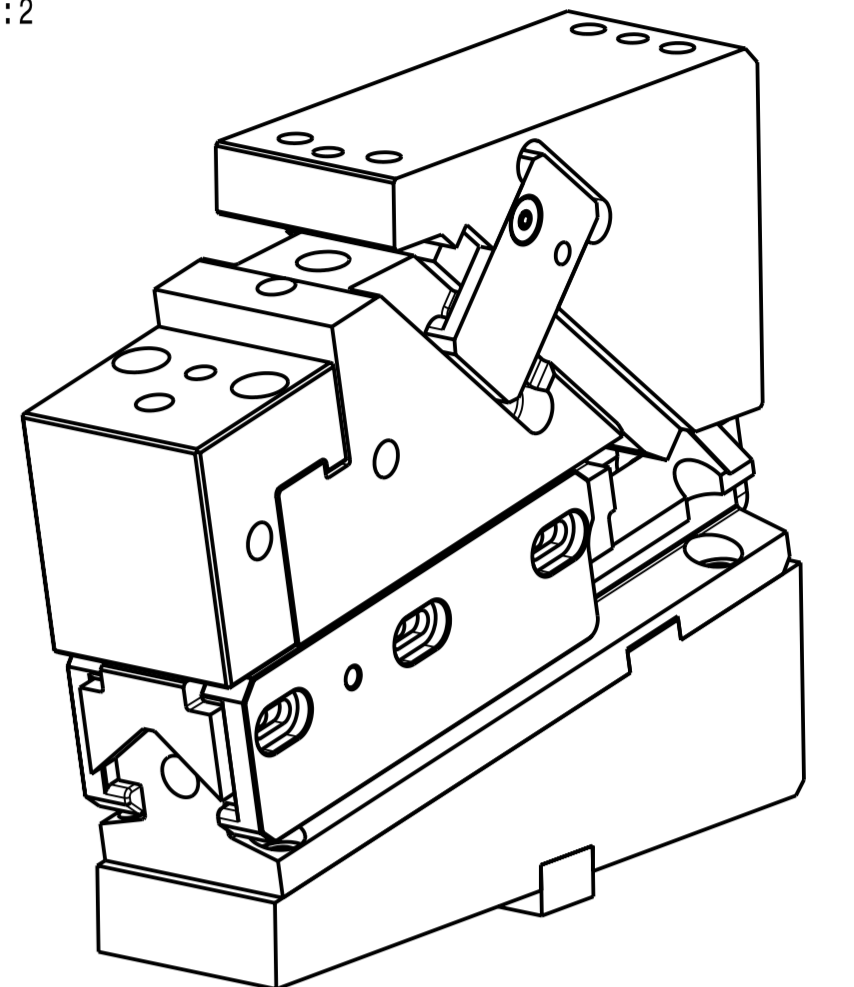
PLAN VIEW
CAM BASE



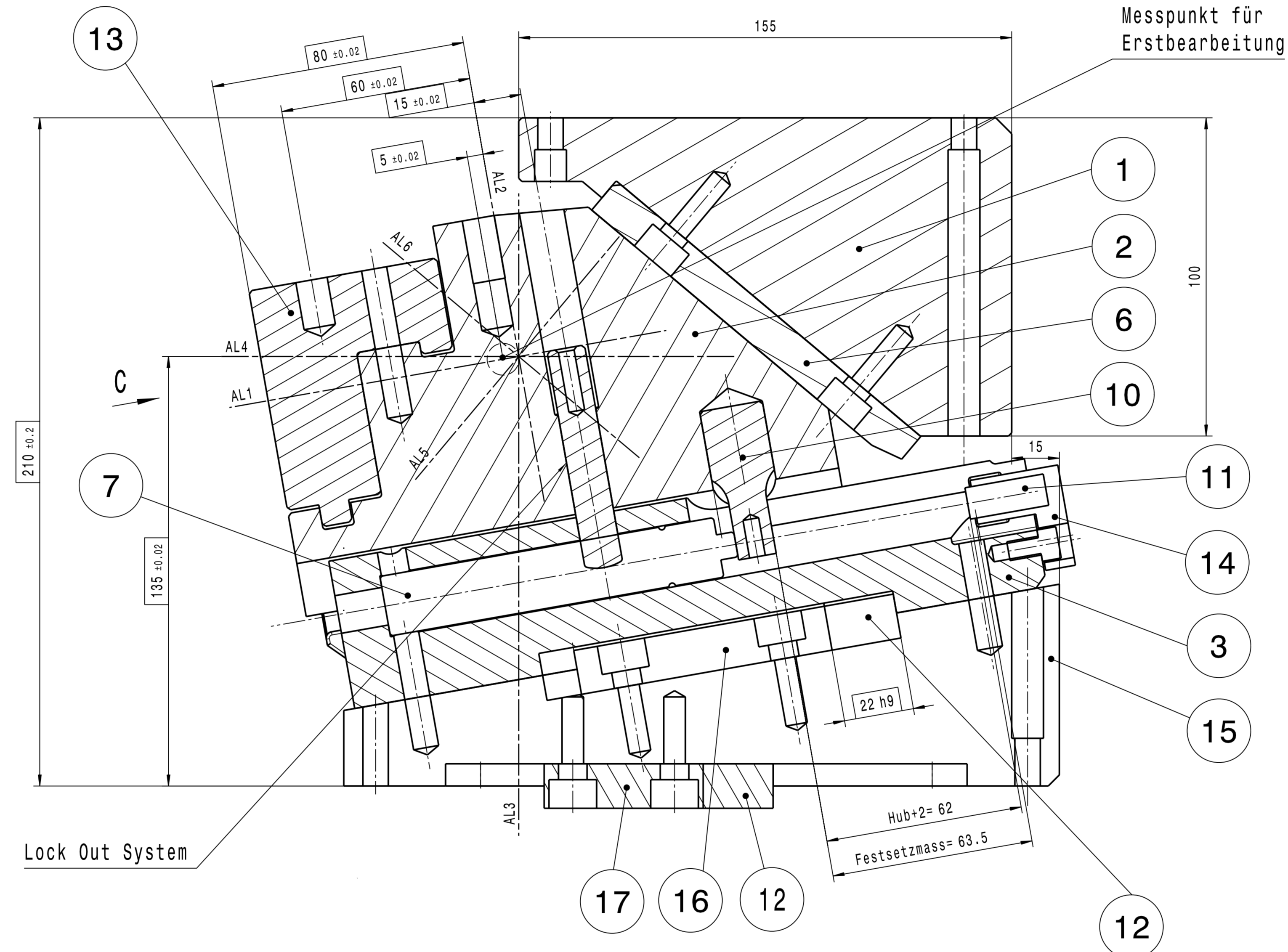
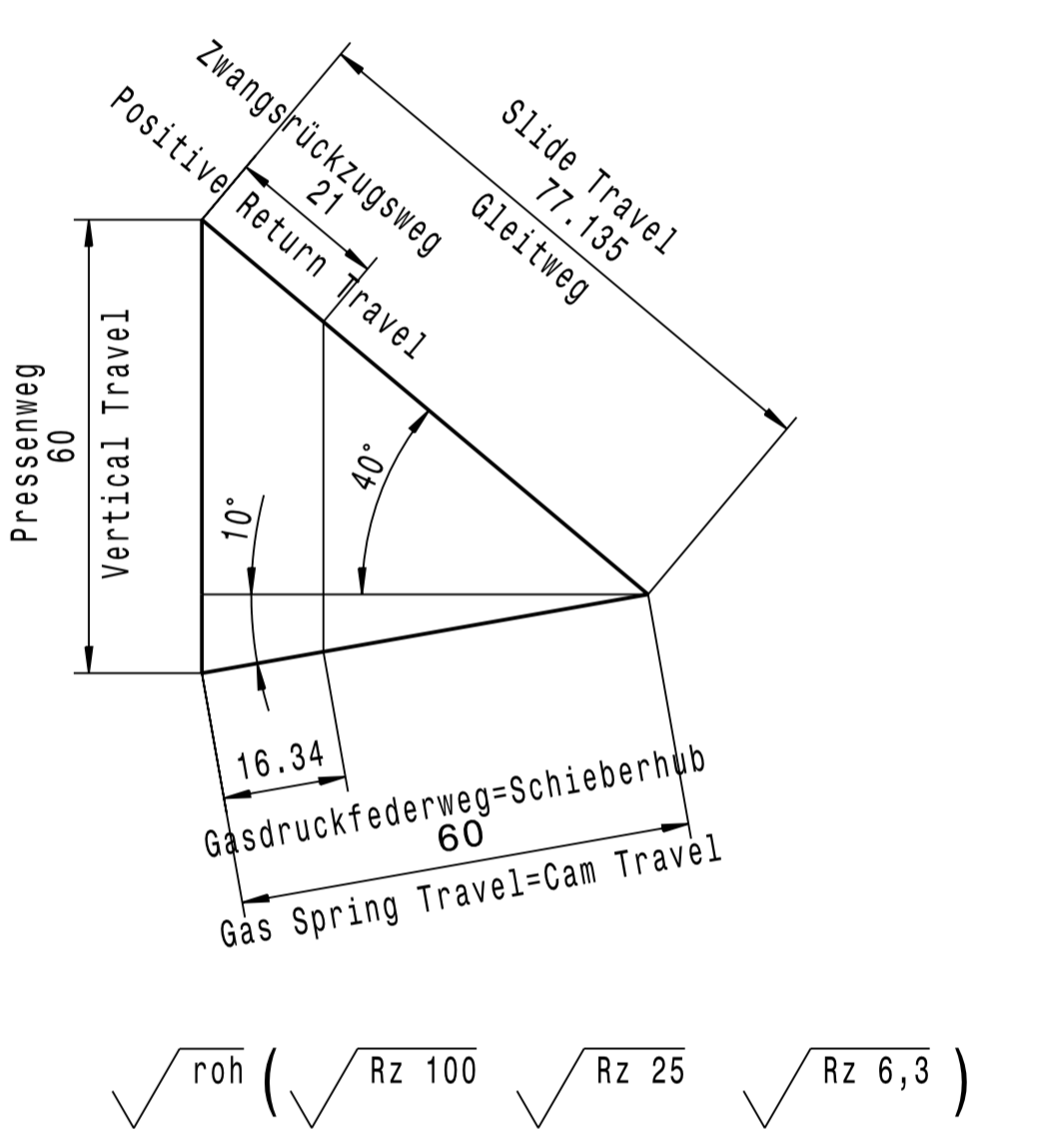
Plan View
CAM DRIVER



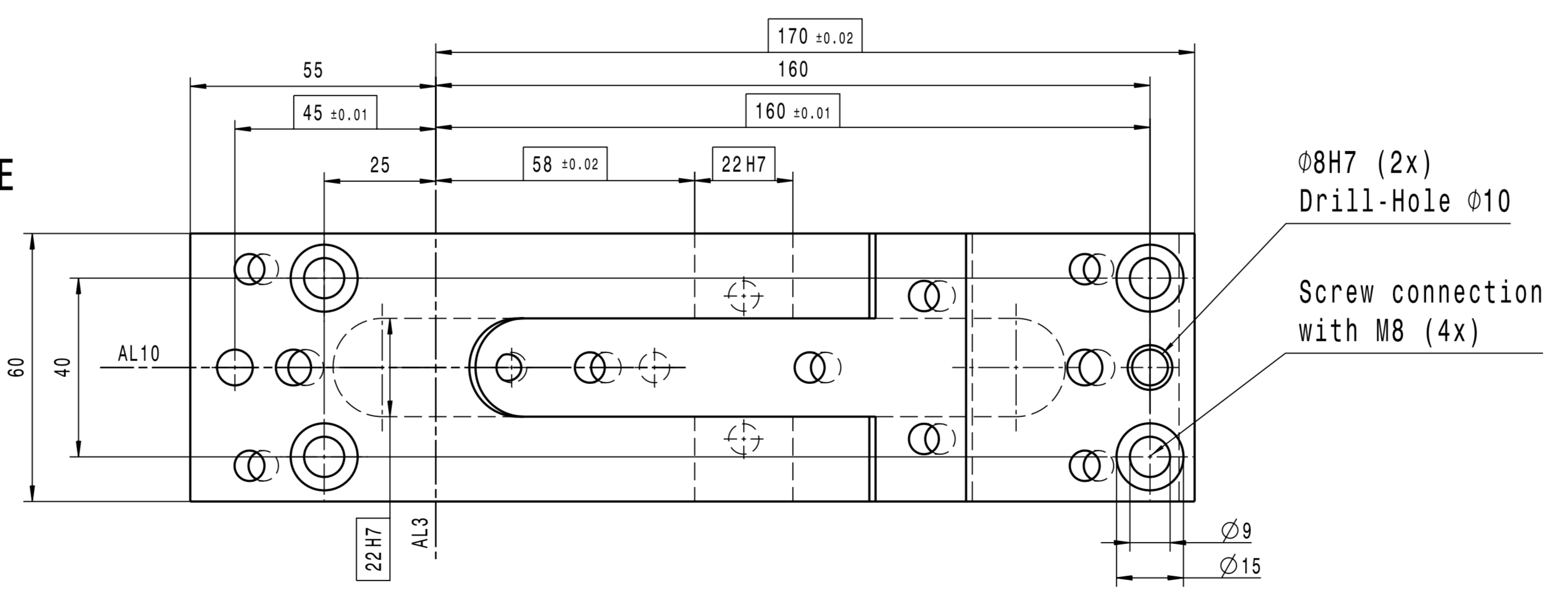
Isometrische Ansicht
Maßstab: 1:2



SCHIEBERDIAGRAMM
CAM DIAGRAM



PLAN VIEW
ADAPTERPLATE



Technische Daten / Specification:
Schieberweg / Travel of Cam: 60mm
Arbeitsfläche / Working Face: 70x60mm
Abstreifkraft / Retractivity: 0,9 kN

Attention!
 Difference between BS and HS:
 The sliding surfaces from slider
 (BS-UT) are not hardened

Component Parts: 22523 (HS-UT)		28408 (BS-UT)				
Pos.-No.	Anzahl	Bezeichnung	Material	Hersteller	Id.-Nr. (HS)	Id.-Nr. (BS)
1	1	Cam Driver (HS-UT-060-10°)	1.7225	voestalpine	HB104262	HB104262
2	1	Cam Slider (HS-UT-060-10°)	0.7070	voestalpine	H105816	B105816
3	1	Cam Base (HS-UT-060-10°)	WF 750/1A (roh:57x70x231)	voestalpine	HB21303	HB21303
4	1	Slide Plate (L)	1.7225 (48x10x150)	voestalpine	103987	103987
5	1	Slide Plate (R)	1.7225 (48x10x150)	voestalpine	103989	103989
6	1	Wear Plate	WF 750/1A (125x50x12)	voestalpine	18241	18241
7	1	Gas Spring Ejector	C-090-063-sw (Ø19 Hub 63 effectiv 62)	DADCO	101544	101544
8	1	Positive Return (L)	1.7225 (35x15x60)	voestalpine	104047	104047
9	1	Positive Return (R)	1.7225 (35x15x60)	voestalpine	104046	104046
10	1	Stop Bolt	1.7225	voestalpine	103985	103985
11	1	Damping Element	PUR Ø10x25	voestalpine	101498	101498
12	2	Fitting Key	1.0503.07 (14x22x60)	voestalpine	104256	104256
13	1	Mounting Plate	1.7225 (59x60x77)	voestalpine	105815	105815
14	1	Stop Plate	1.7225 (32x22x28)	voestalpine	103993	103993
15	1	Adapter plate	1.7225	voestalpine	104261	104261
16	1	Fitting Key	1.0503.07 (80x22x14)	voestalpine	104255	104255
17	1	Fitting Key	1.0503.07 (50x22x14)	voestalpine	104225	104225
18	-	-	-	-	-	-
19	-	-	-	-	-	-
20	-	-	-	-	-	-
21	-	-	-	-	-	-
22	-	-	-	-	-	-

voestalpine Gießerei Linz GmbH		Position:	Amount:	Material:	Sheet-No.:
		Description:		Die Mount Cam	
08		Date	Name	Description:	Ident-No.:
07				HS-UT 060-10°	22523
06		Bearbeitet		BS-UT 060-10°	28408
05	(11)	2021-09-20	SCHNER	Norm	
04	(10)	2019-05-21	SCHNER		
03	(9)	2013-06-11	RIESS	ISO 2768	Scale: 1:1
02	(8)	2011-09-01	RIESS		Drawing-Number:
01	(7)	2008-09-02	Font	m	Index-No. 11
Zu: Modification Date Name Dateiname: HS_BS_UT_0060_10_IND_11_22523_28408_HUB_60_2021_09_20_SCHNER					